

ASSEMBLY

Crankcase Group

<- NEW MODEL

INV2000 *Crankcase Group*

IN

OUT

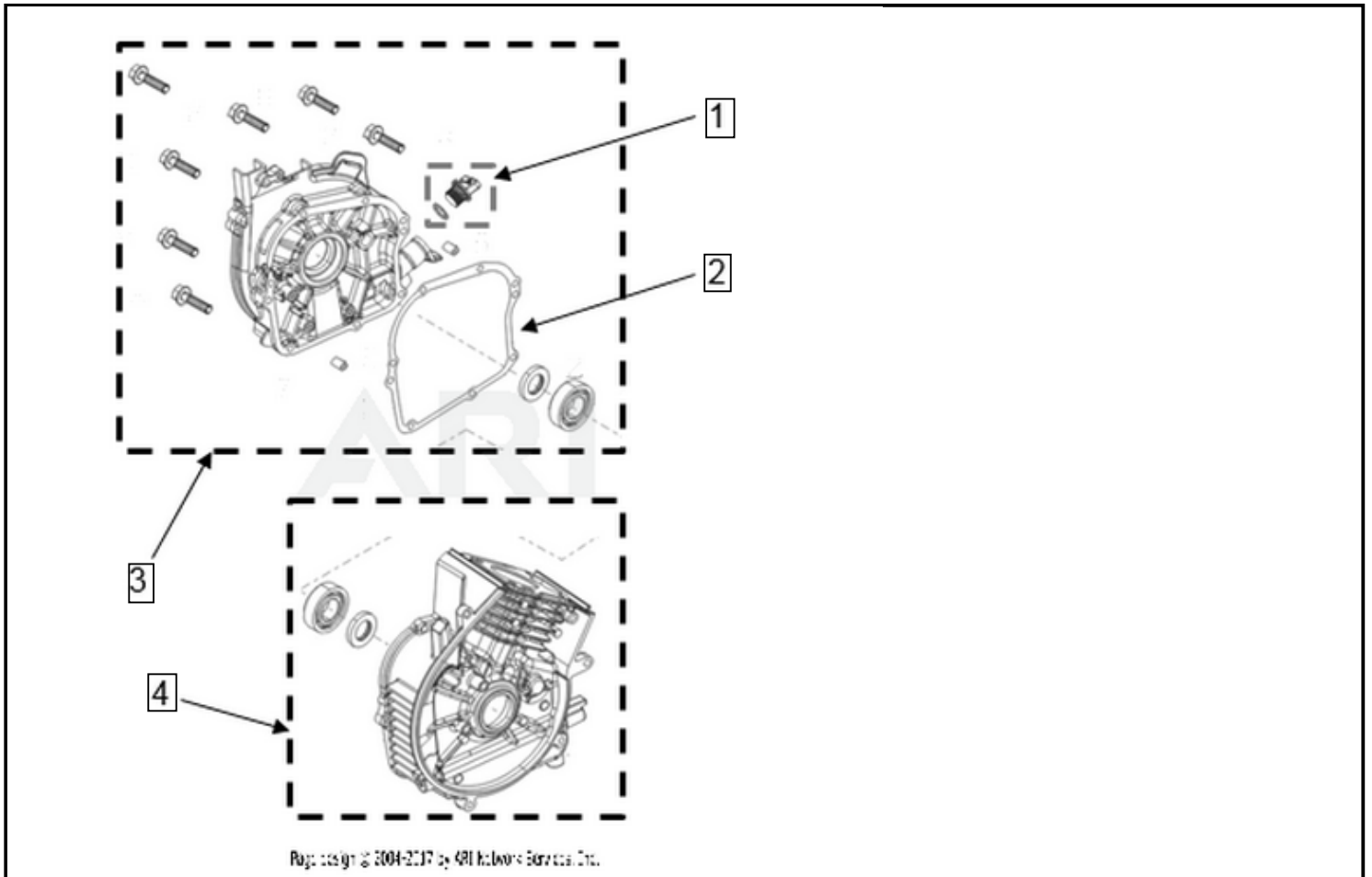


Fig. design © 2004-2017 by CAT Inverter Services, Inc.

Click and drag to move diagram view

Tag	Part #	Description	USD	CAD
1	517-9239	Oil Drain Group Includes oil plug and washer.	Call Us	Call Us
2	517-9238	Crankcase Cover Gasket Crankcase cover gasket for INV2000	Call Us	Call Us
3	517-9241	Crankcase Cover Group Includes crankcase cover, gasket, oil seal, bearing, oil plug, washer, pins, and mounting hardware.	Call Us	Call Us
4	517-9240	Crankcase Group Includes crankcase, oil seal, and bearing.	Call Us	Call Us