

ASSEMBLY

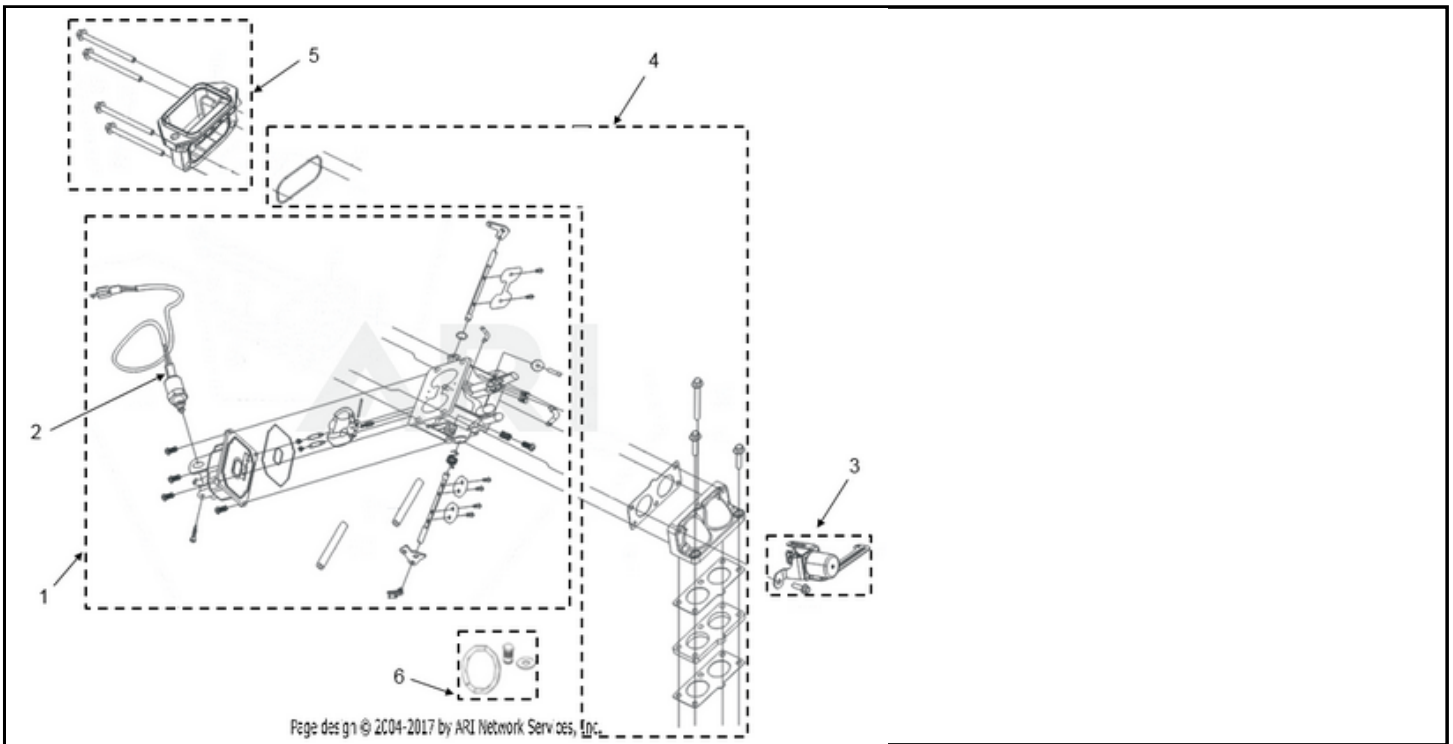
Carburetor Group

<- NEW MODEL

RP12000 E CARB Carburetor Group

IN

OUT



Page design © 2004-2017 by ARI Network Services, Inc.

Click and drag to move diagram view

| Tag | Part # | Description | USD | CAD |
|-----|----------|---|---------|---------|
| 1 | 501-5327 | Carburetor Group Includes carburetor,solenoid valve, fuel tube, and rubber protector. | Call Us | Call Us |
| 2 | 501-5324 | Solenoid Valve Solenoid valve for the RP12000E | Call Us | Call Us |
| 3 | 501-5328 | Solenoid Group Includes solenoid valve control and mounting hardware | Call Us | Call Us |
| 4 | 501-5325 | Carburetor Gasket Group Includes carburetor insulator gasket, carburetor gaskets, intake joint, washer, and mounting hardware | Call Us | Call Us |
| 5 | 501-5326 | Cover Group Includes the air cleaner cover and mounting hardware | Call Us | Call Us |
| 6 | 501-5387 | High Altitude Kit Altitude kit for operation between 3000 and 6000 feet (900m - 1800m) above sea level. | Call Us | Call Us |
| 6 | 501-5388 | High Altitude Kit Altitude kit for operation over 6000 feet (1800m) above sea level. | Call Us | Call Us |