

ASSEMBLY

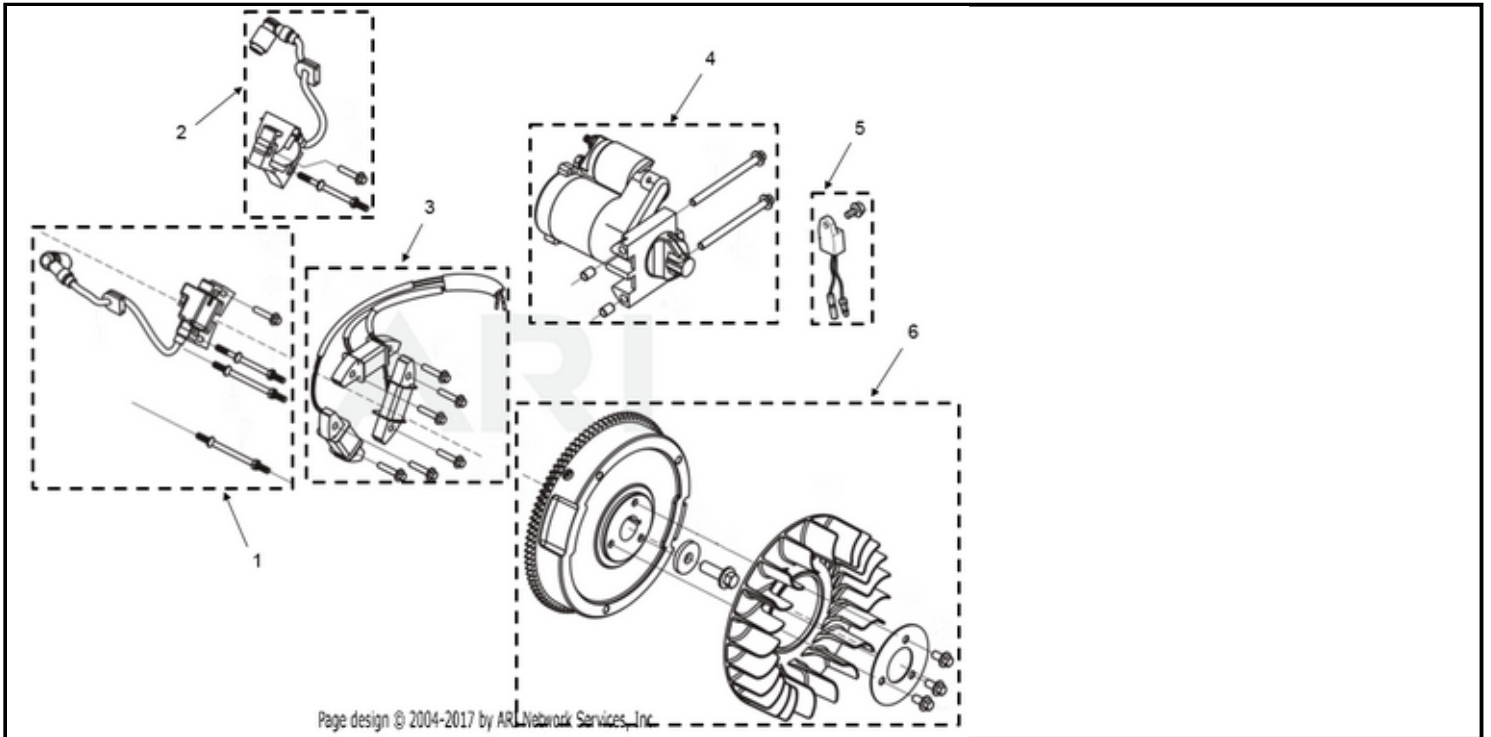
Flywheel Group

<- NEW MODEL

RP12000 E CARB *Flywheel Group*

IN

OUT



Page design © 2004-2017 by ARL Network Services, Inc.

Click and drag to move diagram view

Tag	Part #	Description	USD	CAD
1	501-5332	Left Ignition Coil Group Includes ignition coil, spark plug wire and cap, and mounting hardware	Call Us	Call Us
2	501-5333	Right Ignition Coil Group Includes ignition coil, spark plug wire and cap, and mounting hardware	Call Us	Call Us
3	501-5334	Battery Charger Group Includes charge coil assembly and mounting hardware	Call Us	Call Us
4	501-5336	Starter Group Includes starting motor and mounting hardware.	Call Us	Call Us
5	501-5337	Oil Protector Group Includes oil protector and bolt.	Call Us	Call Us
6	501-5335	Flywheel Group Includes flywheel, impeller, impeller set tray, and mounting hardware.	Call Us	Call Us