

ASSEMBLY

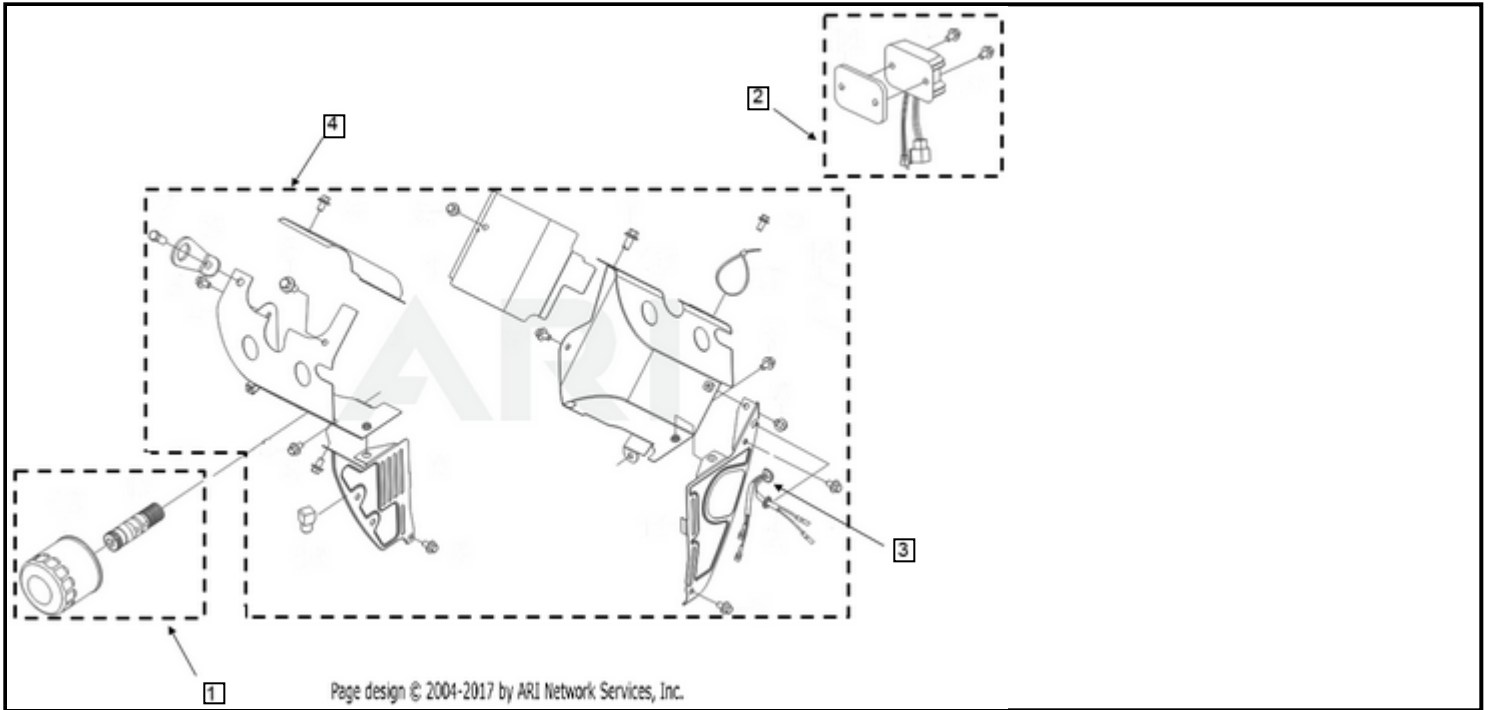
CARB Lower Shield Group ▾

<- NEW MODEL

RP12000 E CARB *CARB Lower Shield Group*

IN

OUT



Click and drag to move diagram view

Tag	Part #	Description	USD	CAD
1	501-5321	Oil Filter Group Includes the oil filter and installation screw.	Call Us	Call Us
2	501-5322	Voltage Regulator Group Includes the voltage regulator, gasket, and mounting hardware.	Call Us	Call Us
3	501-5319	Ignition Sensor Ignition sensor for the RP12000E.	Call Us	Call Us
4	501-5323	CARB Shroud Group Includes the cylinder body shroud, ignition sensor, CARB lower shield, crankcase shield, lug, plug, clamp, and mounting hardware.	Call Us	Call Us