

# ASSEMBLY

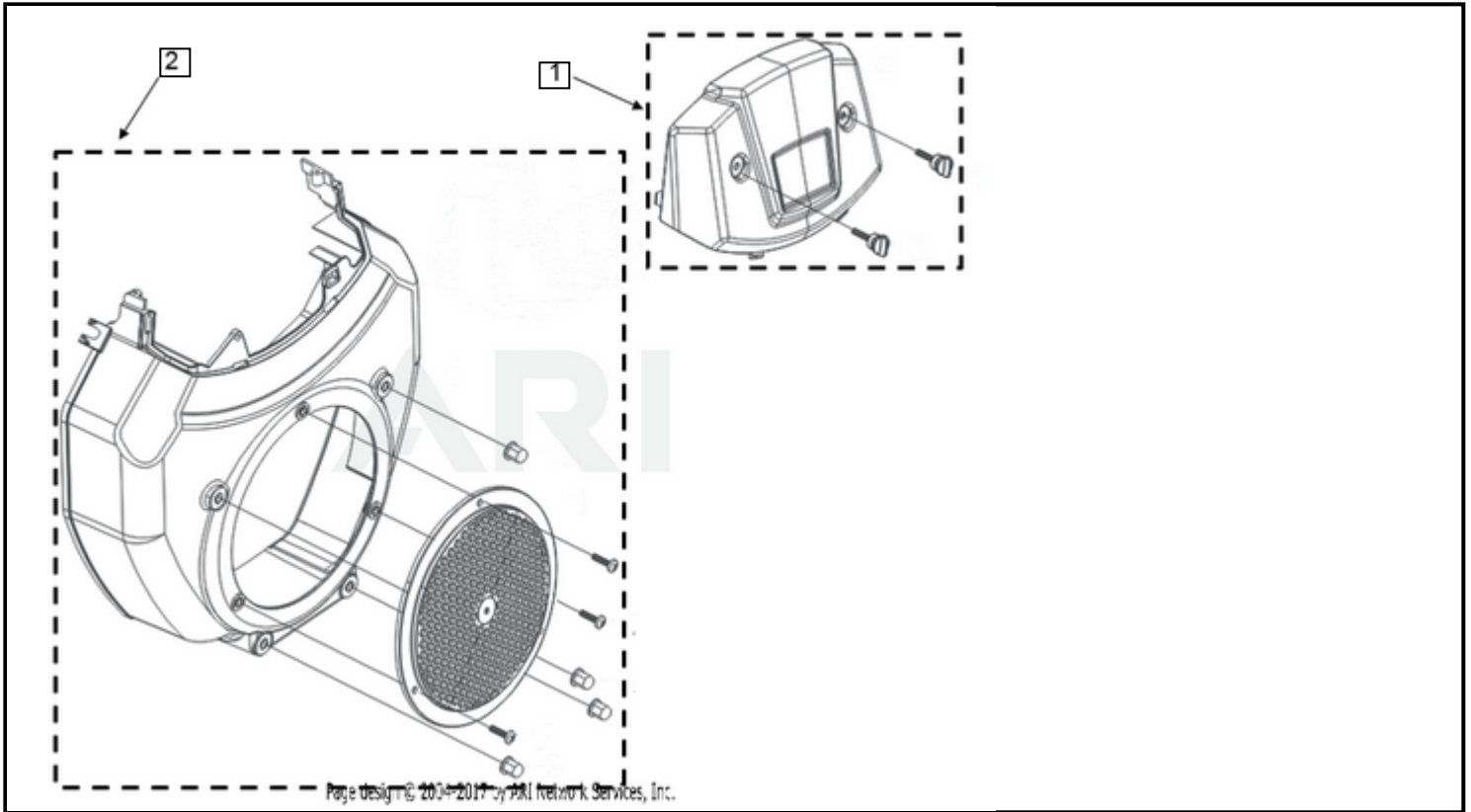
Shroud Group ▾

<- NEW MODEL

RP12000 E *Shroud Group*

IN

OUT



🖱️ Click and drag to move diagram view

Tag	Part #	Description	USD	CAD
1	501-5317	Top Cover Group   Includes the fan cover and mounting hardware.	Call Us	Call Us
2	501-5316	Shroud Group   Includes the shroud, shield, and mounting hardware.	Call Us	Call Us