

# ASSEMBLY

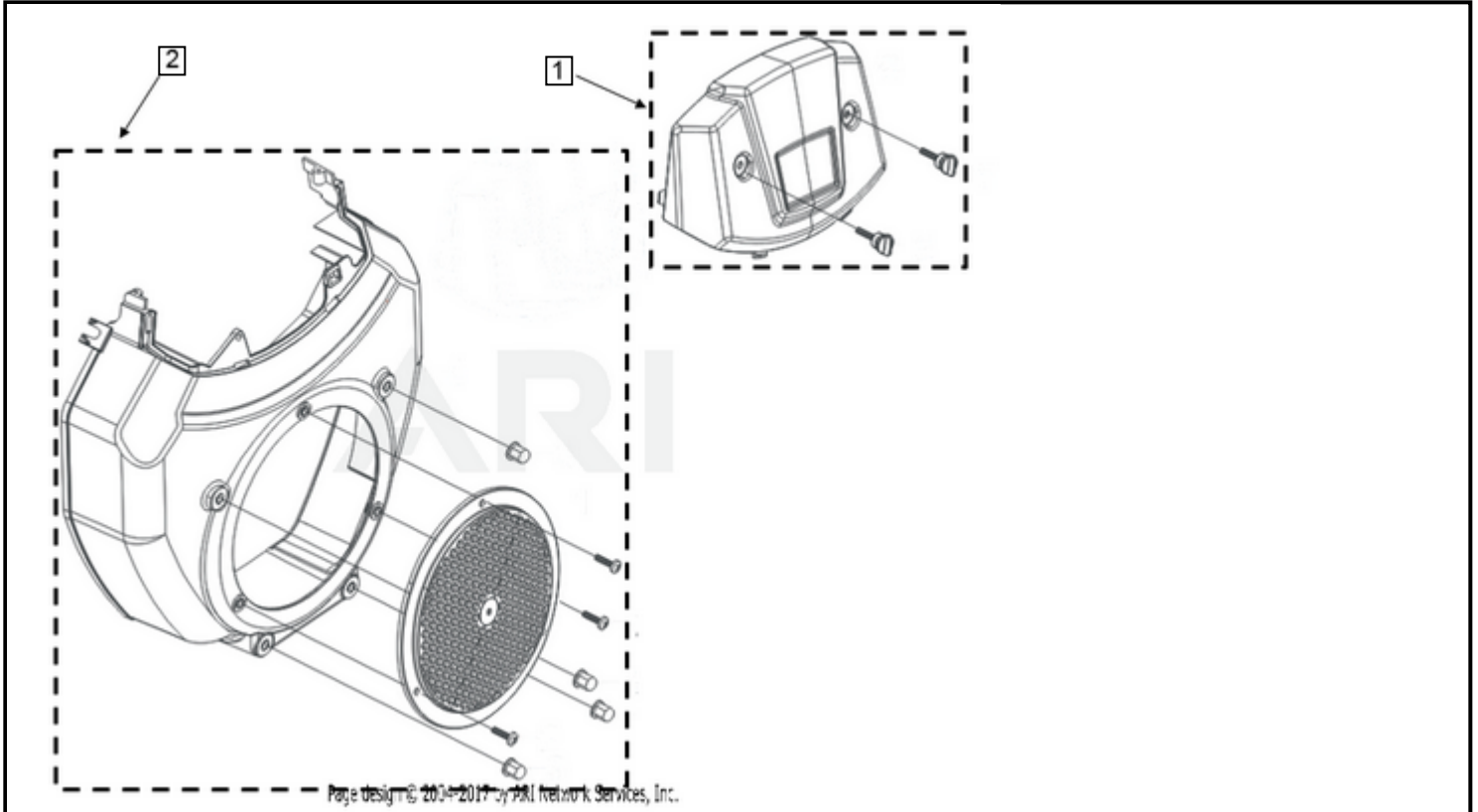
CARB Shroud Group

<- NEW MODEL

RP12000 E CARB *CARB Shroud Group*

IN

OUT



Page design © 2014-2017 by P&I Network Services, Inc.

Click and drag to move diagram view

Tag	Part #	Description	USD	CAD
1	501-5317	Top Cover Group   Includes the fan cover and mounting hardware.	Call Us	Call Us
2	501-5318	CARB Shroud Group   Includes the CARB shroud, shield, and mounting hardware.	Call Us	Call Us