

# ASSEMBLY

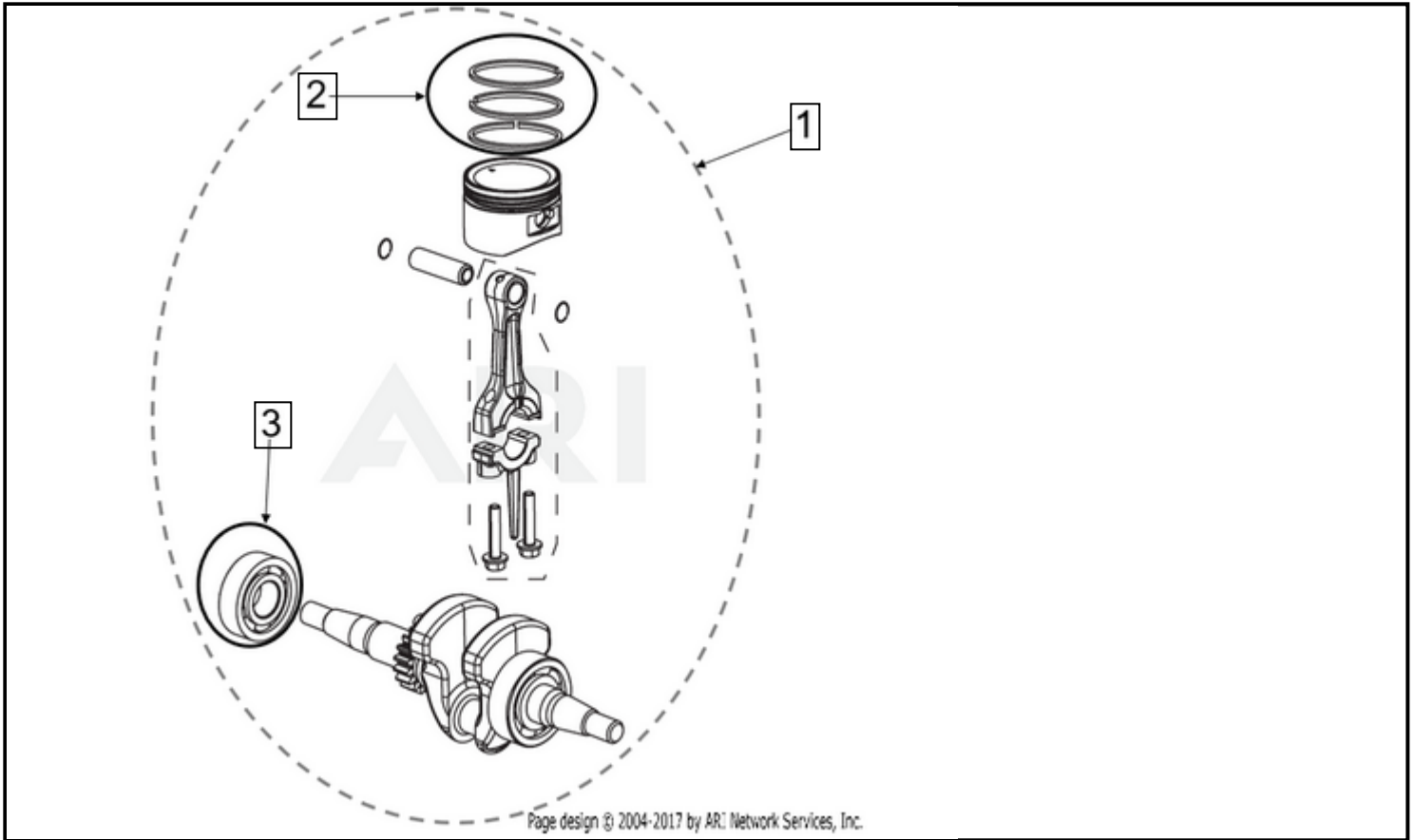
Crankshaft Group

<- NEW MODEL

**INV1250** *Crankshaft Group*

IN

OUT



Page design © 2004-2017 by ARI Network Services, Inc.

Click and drag to move diagram view

Tag	Part #	Description	USD	CAD
1	589-6115	Crankshaft Group   Includes crank shaft, connecting rod, piston pin, piston pin clip, piston, piston ring assembly, and deep groove ball bearing	Call Us	Call Us
2	589-6145	Piston Ring Assembly   Piston Ring Assembly	Call Us	Call Us
3	589-6146	Deep Groove Ball Bearing   Deep Groove Ball Bearing	Call Us	Call Us