

# ASSEMBLY

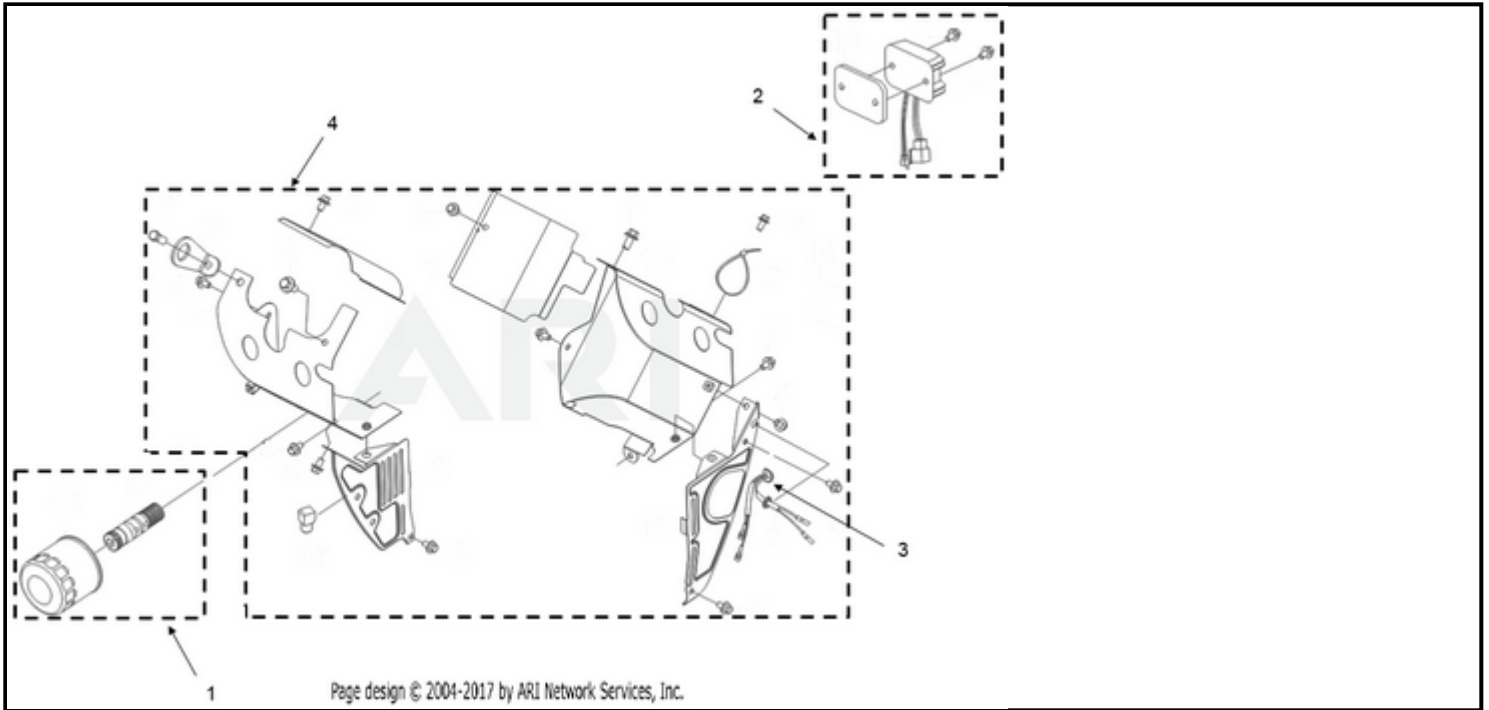
Lower Shield Group ▾

<- NEW MODEL

## RP12000 E Lower Shield Group

IN

OUT



Page design © 2004-2017 by ARI Network Services, Inc.

Click and drag to move diagram view

Tag	Part #	Description	USD	CAD
1	501-5321	Oil Filter Group   Includes the oil filter and installation screw.	Call Us	Call Us
2	501-5322	Voltage Regulator Group   Includes the voltage regulator, gasket, and mounting hardware.	Call Us	Call Us
3	501-5319	Ignition Sensor   Ignition sensor for the RP12000E.	Call Us	Call Us
4	501-5320	Shroud Group   Includes the cylinder body shroud, ignition sensor, lower shield, crankcase shield, lug, plug, clamp, and mounting hardware.	Call Us	Call Us