

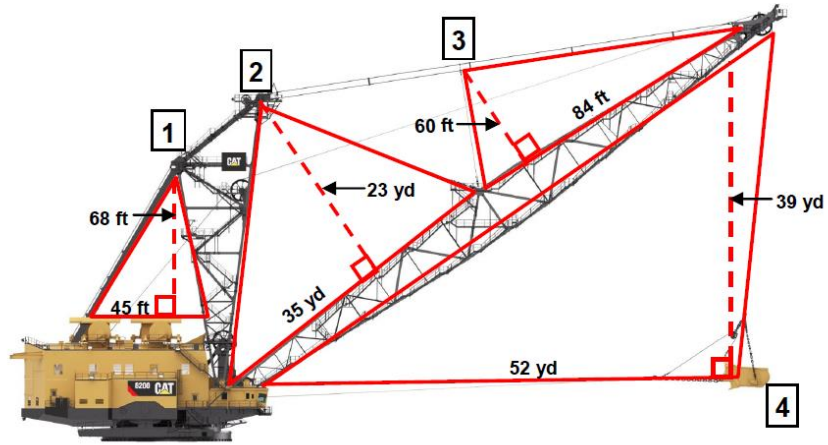
Angles and Area

Name _____

Cat® Draglines have been the standard of the mining industry for decades. These purpose-built machines are designed to withstand the most demanding mine site conditions. Integrated Cat engine, drivetrain and hydraulic systems deliver the power and response needed for peak performance on the mine site.

Find the area of each triangle.
Use the formula: $A = \frac{1}{2} \times b \times h$

- Triangle 1 _____ ft²
- Triangle 2 _____ yd²
- Triangle 3 _____ ft²
- Triangle 4 _____ yd²



Find the area of each triangle.
Use the formula: $A = \frac{1}{2} \times b \times h$

