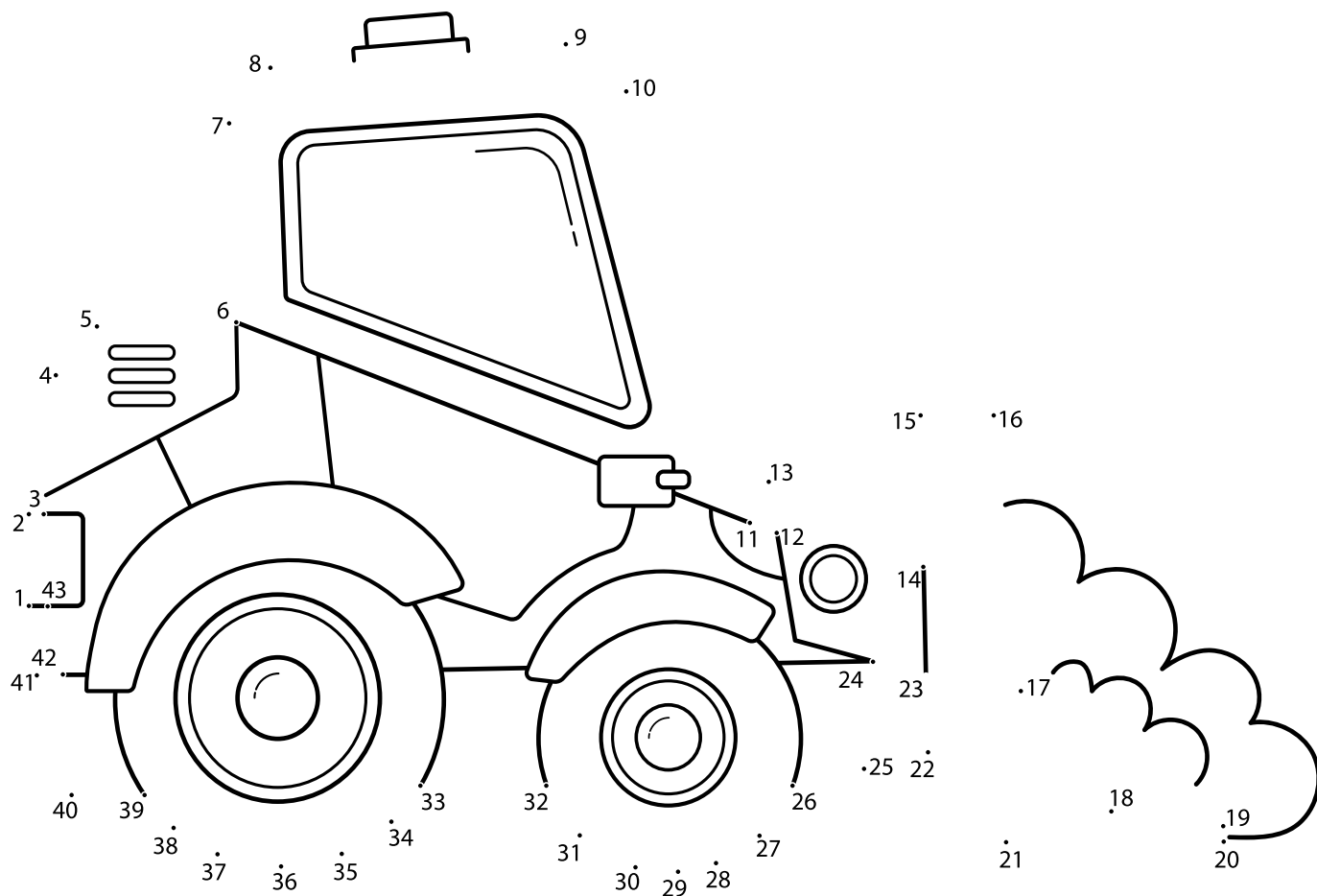


# Join the dots

Join the sequence of numbered dots to reveal the picture.  
The completed picture is on page 2.



# Join the dots

## Answer

