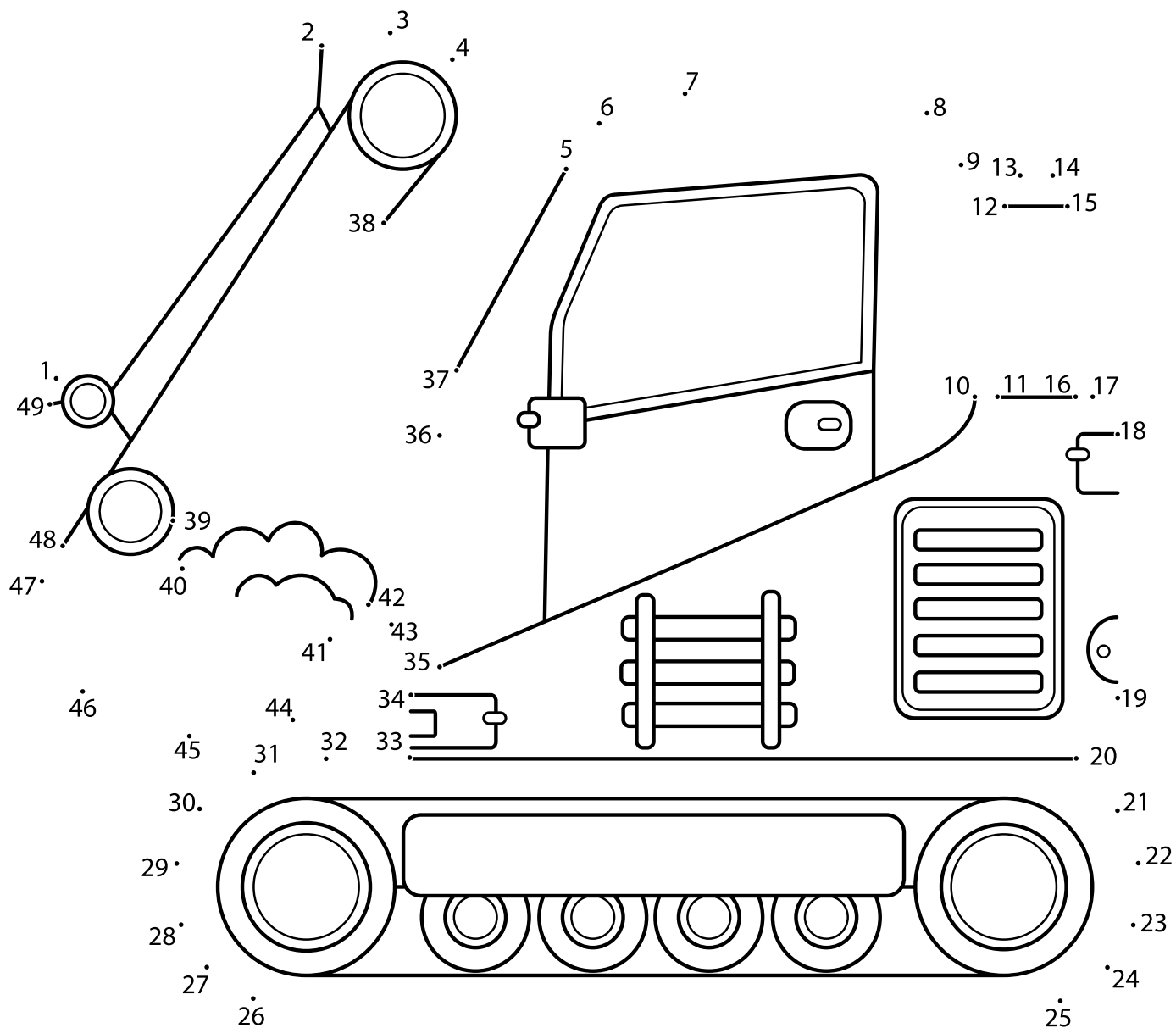


Join the dots

Join the sequence of numbered dots to reveal the picture.
The completed picture is on page 2.



Join the dots

Answer

