

Introduction

This document provides instructions for installing an accessory on a Cat® Utility Vehicle (CUV). Do not perform any procedure in this document until you have read and understood the information contained in this document and the Operation and Maintenance Manual.

Safety Section

<p>⚠ WARNING</p> <p>Do not operate or work on this product unless you have read and understood the instruction and warnings in the relevant Operation and Maintenance Manuals and relevant service literature. Failure to follow the instructions or heed the warnings could result in injury or death. Proper care is your responsibility.</p>	<p>⚠ WARNING</p> <p>Personal injury can result from improper handling of chemicals. Make sure you use all the necessary protective equipment required to do the job. Make sure that you read and understand all directions and hazards described on the labels and material safety data sheet of any chemical that is used. Observe all safety precautions recommended by the chemical manufacturer for handling, storage, and disposal of chemicals.</p>
<p>⚠ WARNING</p> <p>Failure to follow all safety guidelines prescribed in this document and by governing authorities and regulatory agencies may result in severe injury or death of personnel or machine damage.</p>	<p>⚠ WARNING</p> <p>Before servicing/performing maintenance on the machine, electrical power must be physically disconnected; battery cables must be disconnected from the battery. All applicable lock out and tag out procedures must be followed.</p>
<p>⚠ WARNING</p> <p>When removing a major component or attachment, ensure that it is properly blocked or secured before removing mounting hardware. An assembly that is disconnected without proper blocking may shift or fall, resulting in serious injury or death of personnel or machine damage.</p>	<p>⚠ WARNING</p> <p>Observe the safe working load limits of all lifting and blocking devices and keep a safe distance from suspended/blocked loads. Personnel may be seriously injured or killed by falling loads.</p>
<p>⚠ WARNING</p> <p>Personal injury or death can result from improper maintenance procedures. To avoid injury or death, follow the procedures exactly as stated below.</p>	<p>⚠ WARNING</p> <p>Do not operate the machine if any guards or covers are missing or inadequately secured. Personnel could be seriously injured or machine damage may occur.</p>

Caterpillar®

Installation Instructions - Accessory Kit

Polycarbonate Rear Panel Kit (p/n 545-8318)



■ **NOTE:** Read these Installation Instructions thoroughly before beginning the installation process. Retain these Installation Instructions for future reference.

Kit includes:

QTY	DESCRIPTION
1	Trim
1	Rear Panel
5	Snap Clamp
5	Buckle Clamp Seal
5	Buckle Clamp Clip
1	Rear Panel Bracket
2	Hex Screw (M6)
2	Spacer (M6)
2	Nylon Nut (M6)

Tools Required:

- Ruler or Measuring Tape
- Chalk or White Pencil
- 4 mm Allen Wrench
- 10 mm Wrench

1. Measure and mark 30.4 mm (1.34 in.) up from the rear ROPS cross tube on both sides of the vehicle. See Fig. 1 and 2.

2. While lining up the bottom of the Snap Clamp with the mark made in step 1, install the Snap Clamp to the ROPS tube by hooking the non-buckle side lip to the flat outside face and snapping the clamp into place. Repeat for opposite side. See Fig. 1. and 2.

Fig. 1

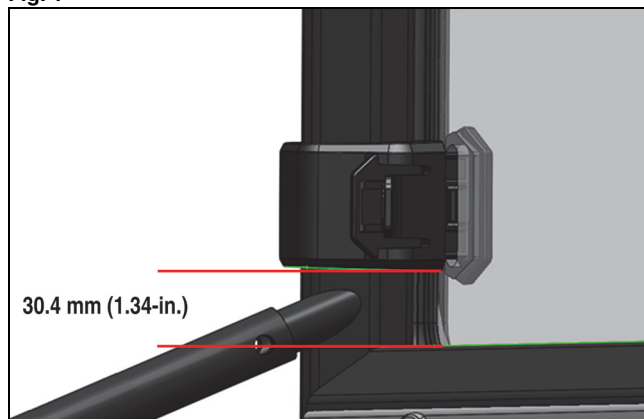


Fig. 2



3. Measure and mark 109.1 mm (4.3-in.) inward from the flat end of the upper rear crossbar ROPS tube on both sides of the vehicle. See Fig. 3 and 4.

Fig. 3

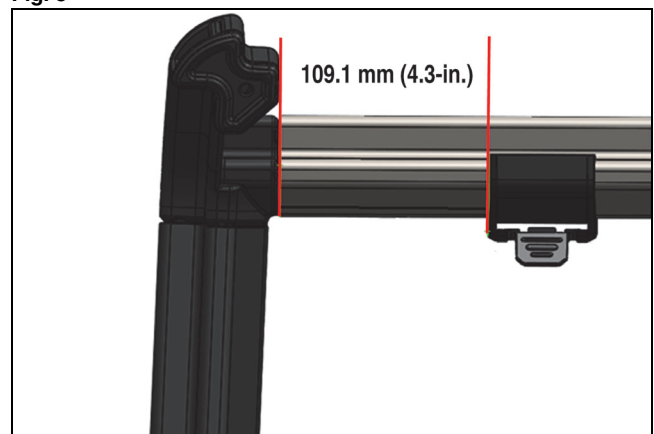
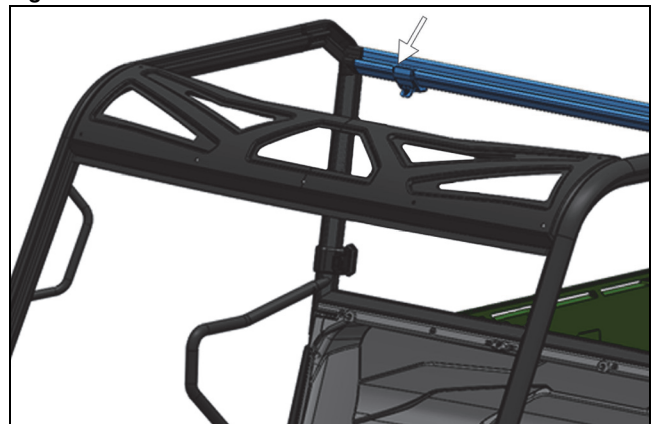
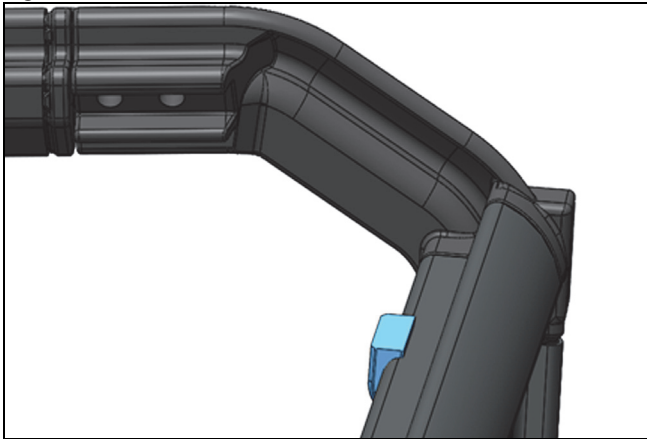


Fig. 4



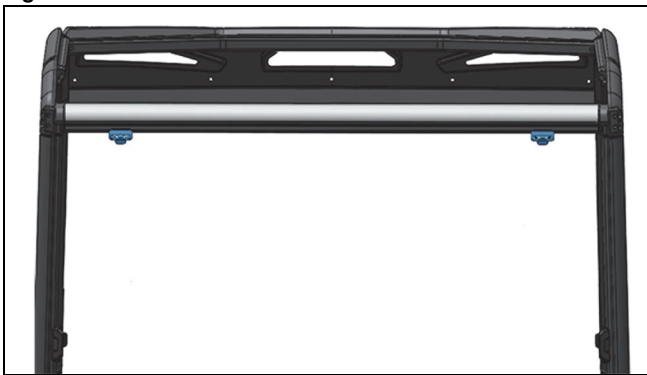
4. While lining up the side of the Snap Clamp with the mark made in step 3, install the Snap Clamp to the ROPS tube by hooking the non-buckle side lip to the flat outside face and snapping the clamp into place. Repeat for opposite side. See Fig. 5. and 6.

Fig. 5



VOR-312

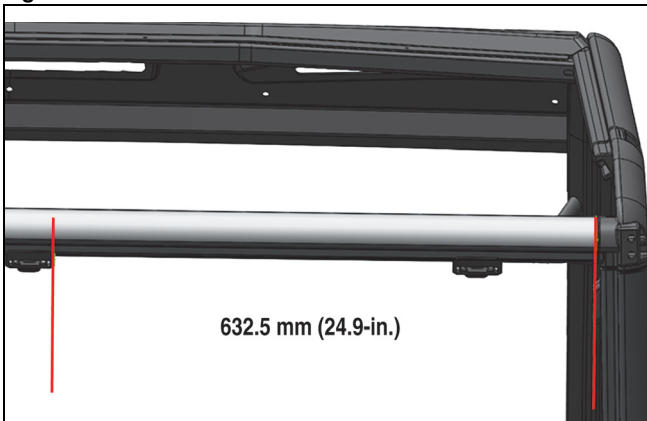
Fig. 6



VOR-696

5. Measure and mark 632.5 mm (24.9 in.) inward from the flat end of the upper rear crossbar ROPS tube for the center Snap Clamp. See Fig. 7 and 8.

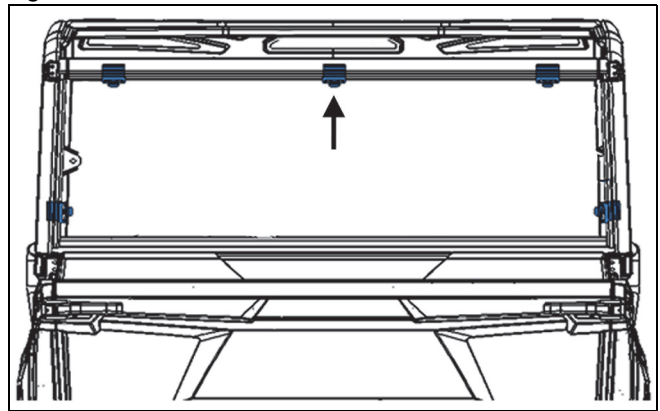
Fig. 7



VOR-314A

6. While lining up the right side of the Snap Clamp (as viewed from the rear of the vehicle) with the mark made in step 5, install the Snap Clamp to the ROPS tube by hooking the non-buckle side lip to the flat outside face and snapping the clamp into place. See Fig. 8.

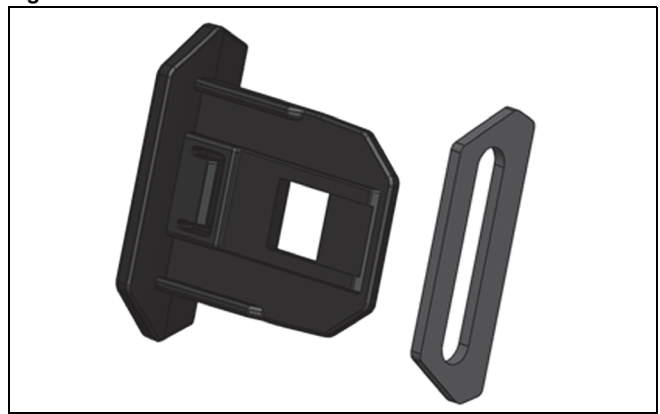
Fig. 8



VOR-699

7. Install Buckle Clamp Seals onto Buckle Clamp Clips making sure the edges align. See Fig. 9.

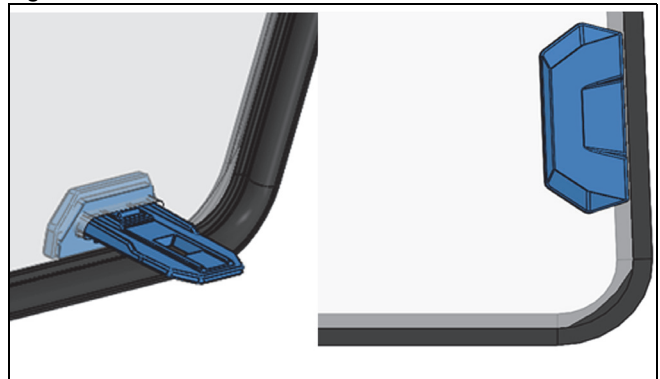
Fig. 9



VOR-297

8. Insert Buckle Clamp Clips through the routed slots in Rear Window making sure the longer flat side is against the window trim. See Fig. 10.

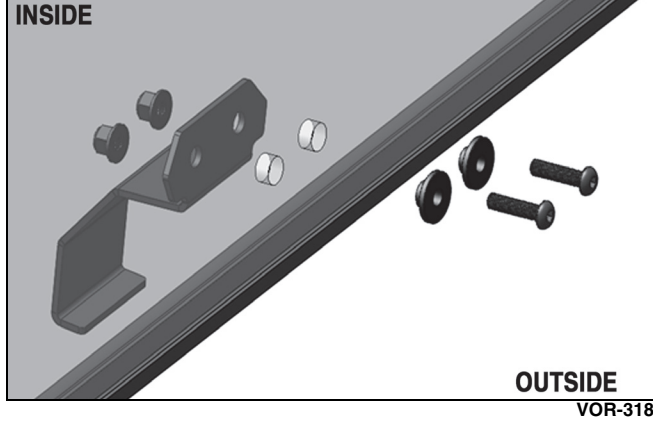
Fig. 10



VOR-317

9. Position Rear Window Bracket on the inside of the rear window and secure using two Hex Screws (M6), two Spacers, and two M6 Nylon Nuts. Tighten securely. See Fig. 11.

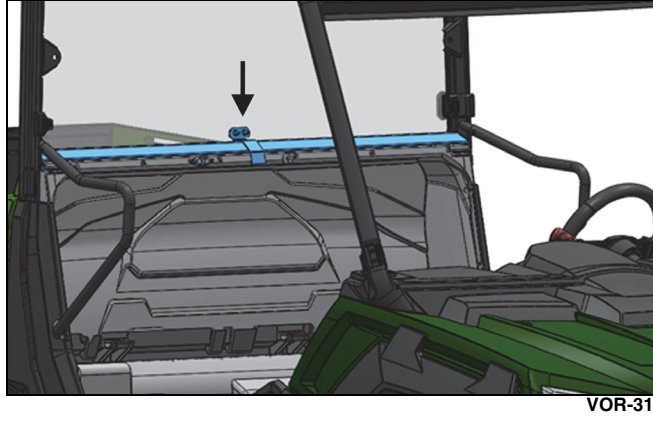
Fig. 11



10. Fold down the seats inside the vehicle.

11. While standing in the box of the vehicle, hold the rear window up to the vehicle and hook the rear window bracket around the lower rear ROPS cross tube. See Fig. 12.

Fig. 12



12. Insert the Buckle Clamp Clips into the Snap Clamps one at a time starting with the top outside clips, middle clip, and then the lower clips. See Fig. 13.

Fig. 13



13. Ensure the trim has a proper seal by making sure the trim bulb is compressed against the vehicle.