

420 ADL

Air-Deployable Loader





Reduced cab height for C-130 air transportability.

Applications

Trenching and Digging	Soil Excavation
Airfield Repair	Snow Removal
Road Repair	Modifying Environments
Material Loading/ Handling	General Construction

All-day versatility and speed for ever-changing applications.

Digging trenches for base camp infrastructure, loading materials and working around rock and rubble - the Cat® 420 Air-Deployable Loader (ADL) is built for every task engineers encounter. Operators are not only able to safely and efficiently perform the work, but also quickly exchange loader or backhoe work tools without additional support. The 420 ADL keeps combat engineering operations moving forward.



Ergonomic operator station.



Gage cluster/keyless ignition.

Worksite safety and efficiency begins in the cab.

- **Ergonomic Operator Station:** Remain productive and comfortable all day long with tilt steering column, excellent 360-degree visibility and ample leg room.
- **Joystick Controls:** Precise control with low effort. Ergonomically designed joysticks deliver convenient auxiliary functionality.
- **Ride Control System:** Reduce operator fatigue and improve material retention with a smoother ride for all conditions.
- **Pattern Selector Switch:** Operators can easily change from an excavator to a backhoe control pattern simply by pressing a button.
- **Gauge Cluster:** LED indicator lights and audible alarms allow operators to effectively maintain awareness of the machine's controls.

Always efficient operating on- or off-road.

- **Cat 3054C Mechanically Turbocharged Engine:** Whatever the task, operate with quiet performance and long lasting durability.
- **Auto-Shift Transmission:** With six forward and three reverse speeds, the auto-shift transmission matches gear with grade and load conditions to quickly reach maximum speed smoothly and quickly. And four wheel drive ensures mobility and loader performance in poor underfoot conditions.
- **Brake Mode Selector Switch:** Choose between three positions while on the go: two wheel drive, two wheel drive with all wheel braking and four wheel drive.

Leading hydraulic technology matches power to demand.

- **Electronic Load Sensing Hydraulics:** The closed center hydraulic system matches pressure and flow to give operators full force at any engine speed. Whether in full trenching mode or digging around delicate surfaces, remain in control with the flow needed to get the job done quickly and efficiently.
- **Flow Sharing Valves:** Specifically tuned hydraulic valves allow for the multifunction of hydraulic components, without machine manipulation. Hydraulic fluid is shared between implements for continuous operation.
- **Hydraulic Lines:** Combination two way and one way flow hydraulic lines add versatility to the machine. Efficiently run either style hydro mechanical tool by simply changing the lever position.



Auxiliary hydraulic hand tool circuit.



MIL-STD-209K lift and tie downs.

Large diameter fuel filter.

NATO start receptacle.

Military Modifications

- Reduced height cab for C-130 air transportability
- MIL-STD-209K lift and tie downs
- JP8 compatible
- 24V starting and charging with 75 Amp alternator
- Auxiliary hydraulic hand tool circuit
- NATO start receptacle
- Large diameter fuel filler (2.9 in / 75 mm)
- Cab rifle bracket
- Hydraulic adjustable pallet forks
- Custom military paint
- Fire extinguisher mount
- Keyless ignition

Consult Caterpillar Defense for specific details on military modifications.



Cat Loader Work Tools

General Purpose (GP) Bucket

Multi Purpose (MP) Bucket

Side Dump Bucket

Brooms

Rakes

Forks

Material Handling Arms

Snow Plows

Hydraulic Adjustable Forks

Powerful and flexible front loader.

The 420 ADL front loader arms deliver optimum reach and dump height. Its loader linkage provides maximum breakout forces with parallel lift for high efficiency loading and material handling.

Ensuring the machine is always ready to switch from task to task, the machine's loader is equipped with a convenient quick coupler allowing operators to change between a wide variety of work tools in less than 30 seconds. The electronic loader controls enable programmable loader kickout and return to dig.

Loader Control

Load sensing piston pump provides full hydraulic lifting and digging forces at any engine speed. A variable flow pump matches hydraulic power to work demands.

Loader Lever

Provides additional machine control by offering the Forward, Neutral and Reverse control switch at the operator's fingertips.

Superior backhoe digging and loading forces.

Boom

The curved, narrow boom provides added clearance for tasks that require digging over rubble or other obstacles and enhances visibility to the work tool and surface. Its robust swing casting and double clevis design improves durability and reliability.

Stick

Serrated edges on the stick provide improved material clamping for clearing and demolition applications. The optional extendable stick (E-stick) increases reach and dig by up to 4 ft (1.2 m).

Note: Additional prep time required for air deployability with E-stick.

Thumbs

Thumb mounting provisions add to the 420 ADL's versatility, giving operators the option to connect mechanical or hydraulic thumbs.

Quick Coupler

Backhoe quick couplers make rear work tool exchange quick and easy. Its dual lock coupler has a self-adjusting wedge design to ensure a tight fit and it also features a safety lock that automatically engages.

Cat Backhoe Work Tools

Standard Duty Bucket

Heavy Duty Bucket

Heavy Duty Rock Bucket

Soil Excavation Bucket

Coral Digging Bucket

Ditch Digging Bucket

Cold Planers

Hammers

Augers

Rippers

Vibratory Plate Compactors

Thumbs
(mechanical and hydraulic)



Support and Serviceability

Easy to maintain. Ready for work.

Convenient service features make maintenance easy, reducing your downtime.

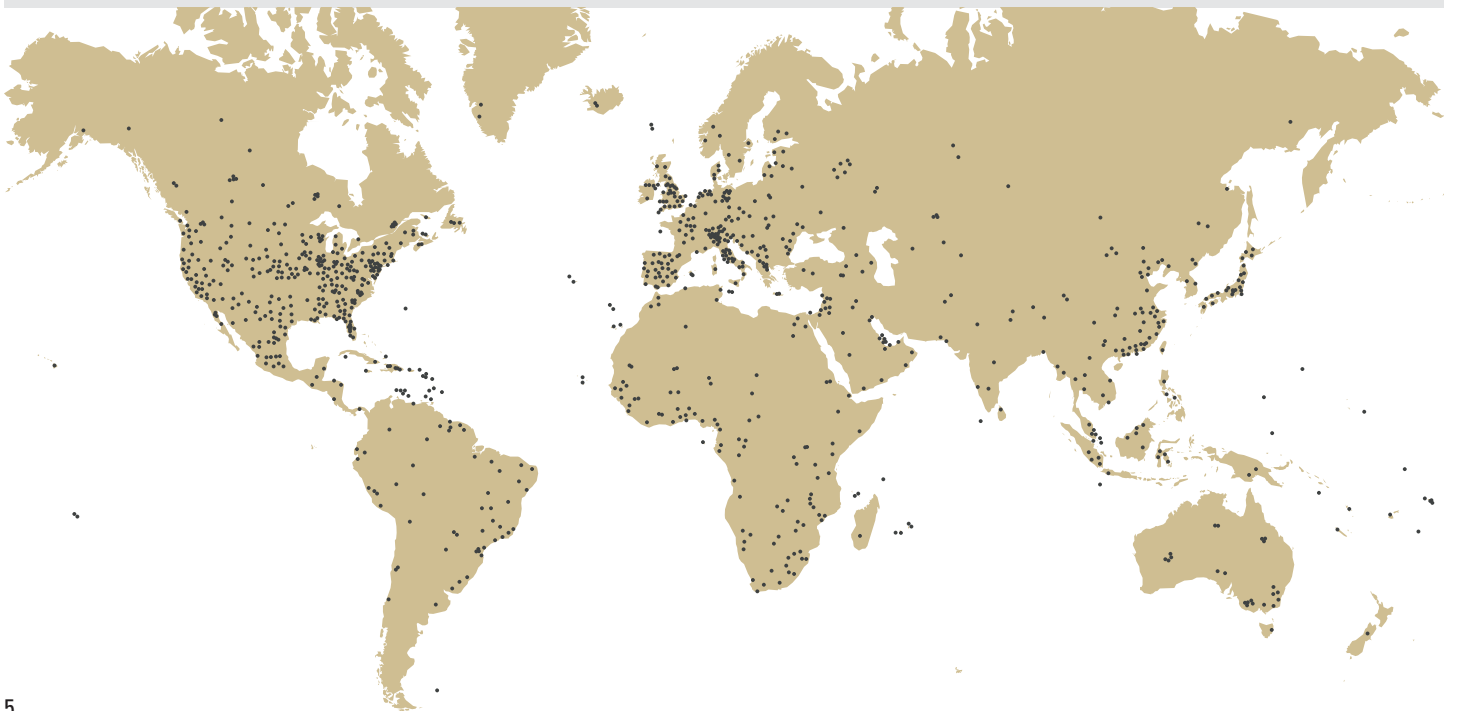
- Hinged cooling pack provides easy access
- Tilt up hood provides easy, convenient access to all engine check points
- Engine side panels remove easily without the use of tools

Worldwide Service Capabilities

Cat dealer field service technicians have the experience and tools necessary to service your machine on-site. Field service trucks are fully loaded with state-of-the-art tools and diagnostic equipment, as well as specifications and schematics for every Cat machine. Technical experts at the dealership and the Caterpillar team is also available to provide assistance to field service technicians. When on-site repair isn't enough, Cat dealerships are fully-equipped to service your ADL quickly.

Dealer Support

The Caterpillar global network of dealers is the best in the world at providing support to keep your ADL up and running. With over 99% of customer orders shipped the same day, Cat dealers are partners in support.



Operating Specifications

Engine	
MODEL	Cat® 3054C Mechanically Turbocharged
Gross Power	
SAE J1995 (hp/kW)	101 / 75
ISO 14396 (hp/kW)	100 / 74
Rated Net Power @ 2,200 rpm	
SAE J1349 (hp/kW)	94 / 70
ISO 9249 (hp/kW)	95 / 71
Net Peak Power @ 2,200 rpm	
SAE J1349 (hp/kW)	94 / 70
ISO 9249 (hp/kW)	95 / 71
Bore (in/mm)	4.13 / 105
Stroke (hp/kW)	5 / 127
Displacement (in³/L)	268 / 4.4
Net Torque Rise @ 1,400 rpm	31%
Net Peak Torque SAE J1349 (lb-ft/Nm)	293 / 397
Power Rating Conditions	
No De-Rating Required Up To (ft/m)	7,500 / 2286

Cat 3054C engine meets U.S. EPA Tier2/EU Stage II equivalent emissions standards. Contact Caterpillar Defense for Tier4f/EU Stage V emissions needs.

Weights*	
Operating Weight	
Estimated (lb/kg)	17,588 / 7987
Minimum (lb/kg)	16,279 / 7384
Maximum (ROPS Capacity) (lb/kg)	24,251 / 11 000
Cab, ROPS/FOPS (lb/kg)	320 / 145
AutoShift Transmission	STD / STD
Ride Control (lb/kg)	33 / 15
Air Conditioning (lb/kg)	99 / 45
All-Wheel Drive	STD / STD
MP Bucket (1.25yd³/.96m³)	
With Fold-Over Forks (lb/kg)	2,107 / 915
Without Fold-Over Forks (lb/kg)	1,642 / 745
Loader, Quick Coupler (lb/kg)	540 / 245
Counterweights - Option 1 (lb/kg)	255 / 115
Counterweights - Option 2 (lb/kg)	530 / 240
Counterweights - Option 3 (lb/kg)	1,015 / 460

*Specifications shown are for a machine equipped with ADL cab, AWD, MP bucket, 530lb/240kg counterweight and military modifications.

Steering	
Type	Front Wheel
Power Steering	Hydrostatic
Axle Oscillation	11°
Turning Circle - AWD (inner wheel not braked)	
Outside, Front Wheels (ft/m)	26.9 / 8.21
Outside, Widest Loading Bucket (ft/m)	35.25 / 10.75

Transmission	
AutoShift Transmission	
Forward - 1st (mph/km/h)	3.7 / 5.9
- 2nd (mph/km/h)	5.8 / 9.4
- 3rd (mph/km/h)	7.6 / 12.3
- 4th (mph/km/h)	12.2 / 19.6
- 5th (mph/km/h)	16.8 / 27.1
- 5th LUC (mph/km/h)	- / -
- 6th (mph/km/h)	25.5 / 41
- 6th LUC (mph/km/h)	- / -
Reverse - 1st (mph/km/h)	3.7 / 5.9
- 2nd (mph/km/h)	7.6 / 12.3
- 3rd (mph/km/h)	16.8 / 27.1

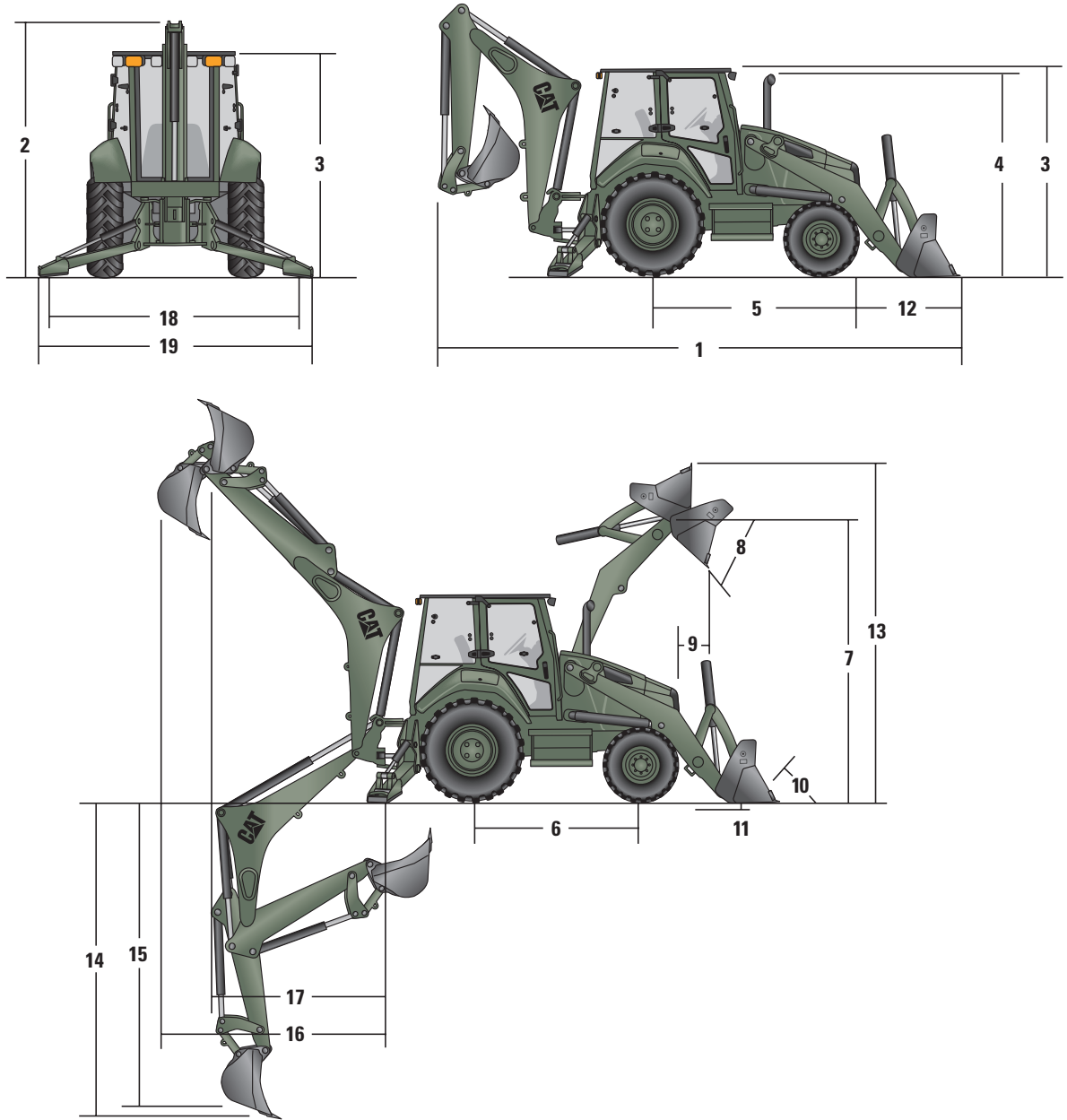
Axle Rating	
Front Axle - 4WD	
Static (lb/kg)	51,808 / 23 500
Dynamic (lb/kg)	19,841 / 9000
Rear Axle	
Static (lb/kg)	58,422 / 26 500
Dynamic (lb/kg)	22,046 / 10 000

Hydraulic System	
Type	Closed Center
Pump Type	Variable Flow, Axial Piston
Pump Capacity @ 2,200 rpm (gpm/Lpm)	49.4 / 187
System Pressure - Backhoe (psi/kPa)	3,626 / 25 000
System Pressure - Loader (psi/kPa)	3,626 / 25 000

Service Refill Capacities	
Cooling System with Air Conditioning (gal/L)	4.8 / 18
Fuel Tank (gal/L)	42.3 / 160
Engine Oil with Filter (gal/L)	2.4 / 9
Transmission - AutoShift	
AWD (gal/L)	5 / 19
Rear Axle (gal/L)	
Planetaries (gal/L)	0.4 / 1.7
Front Axle - 4WD (gal/L)	
Planetaries (gal/L)	0.2 / 0.7
Hydraulic System (gal/L)	25.1 / 95
Hydraulic Tank (gal/L)	11.1 / 42

Tires	
Front	340 / 80-18
Rear	440 / 80-24

Dimensions*



*Specifications shown are for a machine equipped with ADL cab, AWD, MP bucket, 530lb/240kg counterweight and military modifications.

Single Tilt Loader with Pin-On Buckets

	GP Bucket (1.25 yd ³ /0.96 m ³)	GP Bucket (1.40 yd ³ /1.07 m ³)	MP Bucket (1.31 yd ³ /1.0 m ³)	MP Bucket (1.40 yd ³ /1.07 m ³)
1) Overall Length - Loader on Ground - S-Stick (in/mm)	281 / 7132	282 / 7153	278 / 7060	278 / 7060
Overall Length - Loader on Ground - E-Stick (in/mm)	281 / 7138	282 / 7158	278 / 7066	278 / 7066
Overall Transport Length - S-Stick (in/mm)	282 / 7163	283 / 7201	281 / 7131	281 / 7131
Overall Transport Length - E-Stick (in/mm)	283 / 7190	284 / 7206	281 / 7136	281 / 7136
2) Overall Transport Height - Standard Stick (in/mm)	144 / 3645	144 / 3645	144 / 3645	144 / 3645
Overall Transport Height - Extendable Stick (in/mm)	144 / 3665	144 / 3665	144 / 3665	144 / 3665
Overall Width (in/mm)	89 / 2248	89 / 2248	89 / 2248	89 / 2248
3) Height to Top of Cab - ADL (in/mm)	104 / 2642	104 / 2642	104 / 2642	104 / 2642
Height to Top of Cab - Commercial (in/mm)	111 / 2815	111 / 2815	111 / 2815	111 / 2815
4) Height to Top of Exhaust Stack - ADL (in/mm)	100 / 2553	100 / 2553	100 / 2553	100 / 2553
Height to Top of Exhaust Stack - Commercial (in/mm)	107 / 2720	107 / 2720	107 / 2720	107 / 2720
Height to Loader Hinge Pin - Transport (in/mm)	16 / 396	16 / 396	15 / 386	15 / 386
Ground Clearance - Minimum (in/mm)	12 / 294	12 / 294	12 / 294	12 / 294
5) Rear Axle Centerline to Front Grill (in/mm)	107 / 2706	107 / 2706	107 / 2706	107 / 2706
Front Wheel Tread Gauge (in/mm)	75 / 1895	75 / 1895	75 / 1895	75 / 1895
Rear Wheel Tread Gauge (in/mm)	68 / 1728	68 / 1728	68 / 1728	68 / 1728
6) Wheelbase (in/mm)	87 / 2200	87 / 2200	87 / 2200	87 / 2200

Single Tilt Loader with Quick Coupler

	GP Bucket (1.25 yd ³ /0.96 m ³)	GP Bucket (1.31 yd ³ /1.0 m ³)	GP Bucket (1.50 yd ³ /1.15 m ³)	MP Bucket (1.31 yd ³ /1.0 m ³)	MP Bucket (1.40 yd ³ /1.07 m ³)
1) Overall Length - Loader on Ground - S-Stick (in/mm)	288 / 7314	286 / 7269	288 / 7311	285 / 7221	285 / 7221
Overall Length - Loader on Ground - E-Stick (in/mm)	288 / 7319	286 / 7275	288 / 7316	285 / 7226	285 / 7226
Overall Transport Length - S-Stick (in/mm)	287 / 7290	286 / 7257	287 / 7288	284 / 7219	284 / 7219
Overall Transport Length - E-Stick (in/mm)	287 / 7296	286 / 7262	287 / 7294	284 / 7224	284 / 7224
2) Overall Transport Height - Standard Stick (in/mm)	144 / 3645	144 / 3645	144 / 3645	144 / 3645	144 / 3645
Overall Transport Height - Extendable Stick (in/mm)	144 / 3665	144 / 3645	144 / 3645	144 / 3645	144 / 3645
Overall Width (in/mm)	89 / 2248	89 / 2248	89 / 2248	89 / 2248	89 / 2248
3) Height to Top of ADL Cab (in/mm)	104 / 2642	104 / 2642	104 / 2642	104 / 2642	104 / 2642
4) Height to Top of ADL Exhaust Stack (in/mm)	100 / 2553	100 / 2553	100 / 2553	100 / 2553	100 / 2553
Height to Loader Hinge Pin - Transport (in/mm)	16 / 396	16 / 396	16 / 396	15 / 386	15 / 386
Ground Clearance - Minimum (in/mm)	12 / 294	12 / 294	12 / 294	12 / 294	12 / 294
5) Rear Axle Centerline to Front Grill (in/mm)	107 / 2706	107 / 2706	107 / 2706	107 / 2706	107 / 2706
Front Wheel Tread Gauge (in/mm)	75 / 1895	75 / 1895	75 / 1895	75 / 1895	75 / 1895
Rear Wheel Tread Gauge (in/mm)	68 / 1728	68 / 1728	68 / 1728	68 / 1728	68 / 1728
6) Wheelbase (in/mm)	87 / 2200	87 / 2200	87 / 2200	87 / 2200	87 / 2200

Standard equipment may vary.

Consult Caterpillar Defense for details.

All dimensions are approximate and may vary with configuration.

Specific military service configurations are available upon request.

Loader Bucket Dimensions and Performance

Single Tilt Loader with Pin-On Buckets

	GP Bucket (1.25 yd ³ / 0.96 m ³)	GP Bucket (1.40 yd ³ / 1.07 m ³)	MP Bucket (1.31 yd ³ / 1.0 m ³)	MP Bucket (1.40 yd ³ / 1.07 m ³)
Capacity - SAE rated (yd ³ /m ³)	1.26 / 0.96	1.40 / 1.07	1.31 / 1.0	1.40 / 1.07
Overall Bucket Width (in/mm)	89 / 2262	89 / 2262	90 / 2279	95 / 2425
Lift Capacity at Maximum Height (lb/kg)	7,230 / 3280	7,084 / 3213	6,745 / 3059	6,717 / 3047
Lift Breakout Force (lbf/N)	11,280 / 50 179	11,160 / 49 644	11,041 / 49 114	11,019 / 49 017
Tilt Breakout Force (lbf/N)	11,216 / 49 891	11,452 / 50 945	12,643 / 56 242	12,626 / 56 166
Tipping Load at Breakout Point (lb/kg)	14,689 / 6663	14,467 / 6562	14,769 / 6699	14,748 / 6690
7) Maximum Hinge Pin Height (in/mm)	137 / 3488	137 / 3488	137 / 3488	137 / 3488
8) Dump Angle at Full Height (degrees)	44°	44°	44°	44°
Dump Height at Maximum Angle (in/mm)	109 / 2758	108 / 2736	110 / 2803	110 / 2803
9) Dump Reach at Maximum Angle (in/mm)	32 / 807	30 / 773	24 / 722	28 / 722
10) Maximum Bucket Rollback at Ground Level (degrees)	36°	37°	37°	37°
11) Digging Depth (in/mm)	3 / 70	4 / 110	4 / 97	4 / 97
Maximum Grading Angle (degrees)	113°	114°	116°	116°
Width of Dozer Cutting Edge (in/mm)	- / -	- / -	95 / 2262	95 / 2406
12) Grill to Bucket Cutting Edge, Carry Position (in/mm)	58 / 1480	60 / 1518	57 / 1447	57 / 1447
13) Maximum Operating Height (in/mm)	171 / 4356	172 / 4366	172 / 4378	174 / 4407
Jaw Opening Maximum (in/mm)	- / -	- / -	33 / 843	33 / 843
Bucket Jaw Clamping Force (lbf/N)	- / -	- / -	9,028 / 40 160	9,051 / 40 261
Weight - Does not include teeth or forks (lb/kg)	994 / 451	1,043 / 473	1,642 / 745	1,706 / 774

Single Tilt Loader with Quick Coupler

	GP Bucket (1.25 yd ³ / 0.96 m ³)	GP Bucket (1.31 yd ³ / 1.0 m ³)	GP Bucket (1.50 yd ³ / 1.15 m ³)	MP Bucket (1.31 yd ³ / 1.0 m ³)	MP Bucket (1.40 yd ³ / 1.07 m ³)
Capacity - SAE rated (yd ³ /m ³)	1.26 / 0.96	1.31 / 1	1.50 / 1.15	1.31 / 1	1.40 / 1.07
Overall Bucket Width (in/mm)	89 / 2262	95 / 2406	95 / 2406	90 / 2279	95 / 2425
Lift Capacity at Maximum Height (lb/kg)	7,410 / 3361	7,416 / 3364	7,336 / 3328	7,153 / 3245	7,069 / 3207
Lift Breakout Force (lbf/N)	11,679 / 51 954	11,839 / 52 665	11,614 / 51 662	11,620 / 51 690	11,562 / 51 431
Tilt Breakout Force (lbf/N)	11,581 / 51 516	12,177 / 54 168	11,516 / 51 227	12,470 / 55 471	12,431 / 55 300
Tipping Load at Breakout Point (lb/kg)	12,971 / 5883	13,243 / 6007	12,915 / 5858	13,187 / 5982	13,132 / 5957
7) Maximum Hinge Pin Height (in/mm)	137 / 3488	137 / 3488	137 / 3488	137 / 3488	137 / 3488
8) Dump Angle at Full Height (degrees)	44°	44°	44°	44°	44°
Dump Height at Maximum Angle (in/mm)	103 / 2623	105 / 2654	103 / 2625	106 / 2690	106 / 2690
9) Dump Reach at Maximum Angle (in/mm)	35 / 887	34 / 855	35 / 886	33 / 832	33 / 832
10) Maximum Bucket Rollback at Ground Level (degrees)	37°	37°	37°	37°	37°
11) Digging Depth (in/mm)	4 / 111	4 / 111	4 / 110	4 / 101	4 / 101
Maximum Grading Angle (degrees)	109°	110°	109°	111°	111°
Width of Dozer Cutting Edge (in/mm)	- / -	- / -	- / -	89 / 2262	95 / 2406
12) Grill to Bucket Cutting Edge, Carry Position (in/mm)	63 / 1607	62 / 1573	63 / 1605	60 / 1535	60 / 1535
13) Maximum Operating Height (in/mm)	175 / 4439	173 / 4406	177 / 4484	176 / 4476	178 / 4531
Jaw Opening Maximum (in/mm)	- / -	- / -	- / -	33 / 843	33 / 843
Bucket Jaw Clamping Force (lbf/N)	- / -	- / -	- / -	9,034 / 40 185	9,056 / 40 286
Weight - Does not include teeth or forks (lb/kg)	985 / 447	1,008 / 457	1,060 / 481	1,596 / 724	1,660 / 753

Backhoe Dimensions and Performance

	Standard Stick	E-Stick Retracted	E-Stick Extended
14) Digging Depth, SAE - Maximum (in/mm)	168 / 4278	170 / 4319	211 / 5372
15) Digging Depth, 96 in/2440 mm Flat Bottom (in/mm)	154 / 3900	155 / 3944	200 / 5074
Digging Depth, 24 in/610 mm Flat Bottom (in/mm)	167 / 4240	169 / 4280	210 / 5335
Reach from Rear Axle Centerline at Ground Line (in/mm)	263 / 6690	265 / 6726	304 / 7731
16) Reach from Swing Pivot at Ground Line (in/mm)	220 / 5600	222 / 5636	261 / 6641
Maximum Operating Height (in/mm)	2207 / 5598	221 / 5622	251 / 6364
Loading Height (in/mm)	146 / 3709	144 / 3666	167 / 4237
17) Loading Reach (in/mm)	73 / 1845	76 / 1932	112 / 2850
Swing Arc (degree)	180°	180°	180°
Bucket Rotation (degree)	205°	204°	204°
18) Stabilizer Spread, Operating Position - Center (in/mm)	130 / 3310	130 / 3310	130 / 3310
19) Stabilizer Spread, Operating Position - Outside (in/mm)	148 / 3770	148 / 3770	148 / 3770
Stabilizer Spread, Transport Position (in/mm)	91 / 2322	91 / 2322	91 / 2322
Bucket Dig Force (lbf/N)	14,431 / 64 193	14,229 / 63 292	14,229 / 63 292
Stick Dig Force (lbf/N)	9,786 / 43 529	9,756 / 43 395	7,123 / 31 684

Dimensions with Forks/Material Handling Arm

Fork Tine Length (in/mm)	42 / 1070	48 / 1220	58 / 1370
Operating Load, SAE J1197 (lb/kg)	5,060 / 2295	4,897 / 2221	4,708 / 2295
SAE Load Center (in/mm)	21 / 535	24 / 610	27 / 535
Operating Load, CEN 474-4 (lb/kg)	5,186 / 2352	5,151 / 2337	5,115 / 2352
CEN Load Center (in/mm)	20 / 500	20 / 500	20 / 500
Overall Length with Fork on Ground (in/mm)	301 / 7648	307 / 7798	313 / 7648
Reach from Grill to Heel of Fork on Ground (in/mm)	37 / 939	37 / 939	37 / 939
Maximum Reach from Grill to Heel of Fork (in/mm)	60 / 1524	60 / 1524	60 / 1524
Fork Height at Maximum Reach (in/mm)	64 / 1619	64 / 1619	64 / 1619
Reach at Maximum Height from Grill to Heel of Fork (in/mm)	29 / 749	29 / 749	29 / 749
Maximum Fork Height (in/mm)	135 / 3418	135 / 3418	135 / 3418
Maximum Fork Depth Below Ground Level (in/mm)	-23 / -584	-22 / -559	-22 / -559
Material Handling Arm Position	Retracted	Mid-Position	Extended
Operating Load, SAE J1197 and CEN 474-4 (lb/kg)**	3,360 / 1524	2,271 / 1030	1,671 / 758
Maximum Overall Length (in/mm)	351 / 8904	438 / 9904	429 / 10 902
Reach at Maximum Depth from Machine Nose (in/mm)	21 / 544	22 / 550	22 / 557
Maximum Depth (in/mm)	103 / 2618	142 / 3618	182 / 4616
Maximum Reach from Machine Nose (in/mm)	127 / 3221	166 / 4221	205 / 5219
Height at Maximum Reach (in/mm)	44 / 1118	44 / 1124	44 / 1130
Reach at Maximum Height from Machine Nose (in/mm)	70 / 1783	97 / 2473	124 / 3161
Maximum Height (in/mm)	175 / 4445	203 / 5169	232 / 5891

** These numbers are hydraulically limited.

Backhoe Lift Capacity

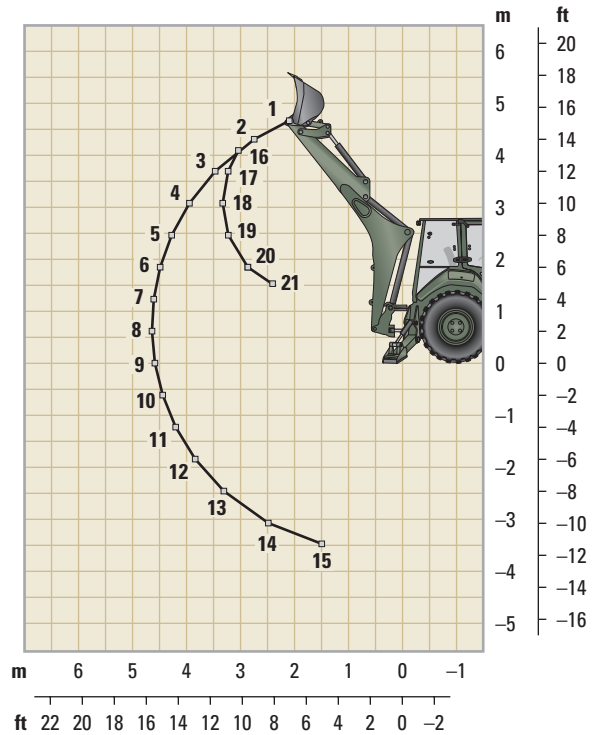
Standard Stick

Boom Lifting (lb/kg)

1	4,060 / 1842
2	4,429 / 2009
3	4,427 / 2008
4	4,301 / 1951
5	4,145 / 1880
6	3,986 / 1808
7	3,833 / 1739
8	3,689 / 1673
9	3,556 / 1613
10	3,435 / 1558
11	3,327 / 1509
12	3,237 / 1468
13	3,176 / 1441
14	3,208 / 1455
15	3,506 / 1590

Stick Lifting (lb/kg)

16	4,785 / 2170
17	5,823 / 2642
18	6,465 / 2933
19	6,767 / 3069
20	7,994 / 3626
21	9,790 / 4441



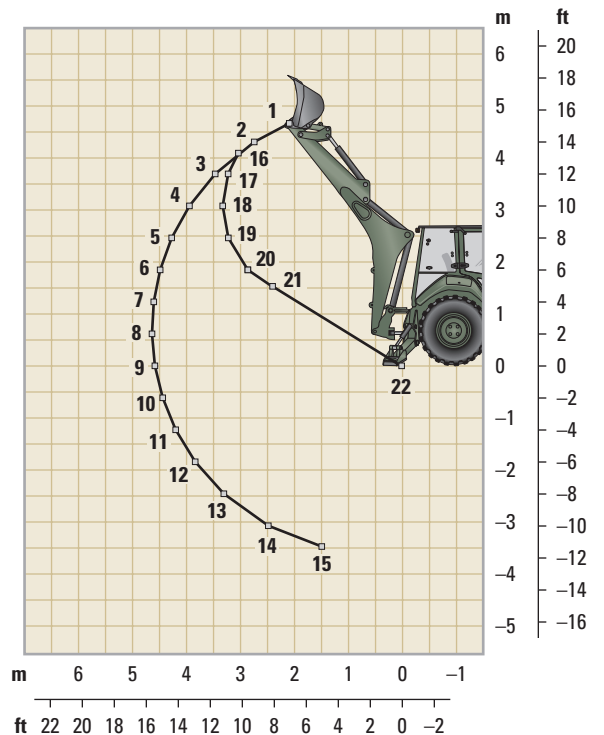
Extendible Stick - Retracted

Boom Lifting (lb/kg)

1	3,656 / 1658
2	3,999 / 1814
3	3,982 / 1806
4	3,853 / 1748
5	3,696 / 1677
6	3,536 / 1604
7	3,382 / 1534
8	3,236 / 1468
9	3,101 / 1407
10	2,976 / 1350
11	2,864 / 1299
12	2,766 / 1255
13	2,692 / 1221
14	2,687 / 1219
15	2,938 / 1333

Stick Lifting (lb/kg)

16	4,451 / 2019
17	5,438 / 2467
18	6,016 / 2729
19	6,292 / 2854
20	7,405 / 3359
21	8,944 / 4057
22	0 / 0



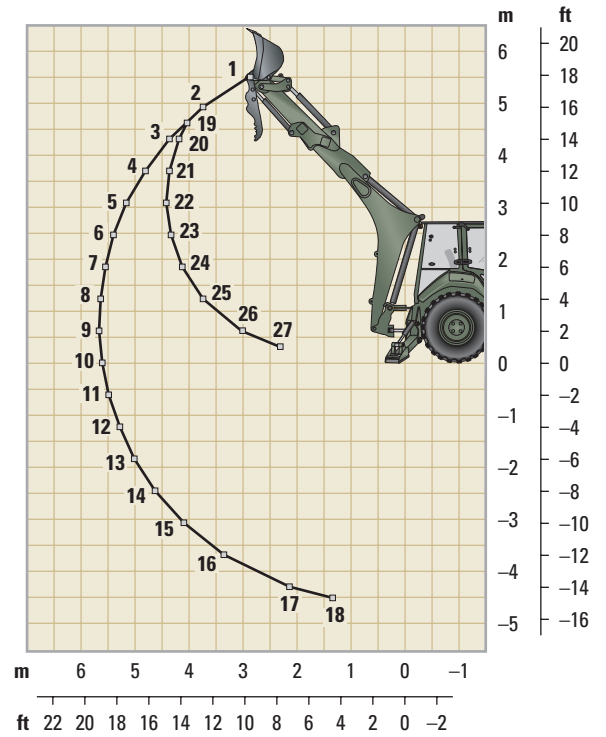
Extendible Stick - Extended

Boom Lifting (lb/kg)

1	2,169 / 984
2	2,625 / 1191
3	2,681 / 1216
4	2,467 / 1119
5	2,347 / 1065
6	2,290 / 1039
7	2,283 / 1036
8	2,320 / 1052
9	2,403 / 1090
10	2,436 / 1015
11	2,379 / 1079
12	2,328 / 1056
13	2,287 / 1037
14	2,261 / 1026
15	2,263 / 1027
16	2,332 / 1058
17	2,740 / 1243
18	3,734 / 1694

Stick Lifting (lb/kg)

19	2,046 / 928
20	2,555 / 1159
21	3,273 / 1485
22	3,782 / 1715
23	4,216 / 1912
24	4,525 / 2052
25	5,165 / 2343
26	6,845 / 3105
27	9,821 / 4455



*Lift capacities are over-end values calculated according to SAE J31. Values are 87% of the maximum lift force available.
Machine equipped with AWD, OROPS, 1.25 yd³ / 0.96 m³ general purpose bucket and 530 lb / 240 kg counterweight.
Extendible stick includes 1,015 lb / 460 kg counterweight.*

Standard Equipment

Power Train

- Air cleaner
- Brake, secondary parking
- Brakes, hydraulically boosted, oil disc, dual pedals, interlocking
- Cold weather package, including additional battery, engine block heater, radiator antifreeze, cold weather fuel (-22° F/-30° C) and mounting for an ether bottle
- Coolant/antifreeze, extended life
- Diagnostic port for engine, machine and gauge cluster Electronic Control Modules
- Differential lock, loader joystick
- Engine, Cat 3054C, Mechanical Turbocharged, meets Tier 2/Stage II equivalent emission standards
- Engine enclosure, sound suppression removal panels
- Fast reversing shuttle, all gears
- Filters, spin-on: fuel, engine oil, transmission oil, water separator
- Filters, bowl and cartridge: hydraulic fluid
- High ambient cooling package
- Torque converter
- Transmission, AutoShift
- Transmission, six speed, syncromesh
- Transmission neutralizer switch
- Four wheel drive

Hydraulic System

- Adjustable auxiliary controls, backhoe loader
- Joystick hoe controls: pilot operated, excavator-style with pattern changer
- Face seals, O-ring
- Hydraulic hose, XT™
- Hydraulic lines, combined function auxiliary
- Hydraulic oil cooler
- Hydraulic oil level sight gauge
- Hydraulic valve, hydrostatic steering
- Hydraulic valves, loader 3 function
- Hydraulic valves, backhoe 6 function
- Hydraulics, load sensing with variable displacement piston pump
- Hydraulics, loader with E/H control and quick coupler

Operator Environment

- Cab, ROPS/FOPS
- Drink holders, two
- Fan, suction and guard
- Floor mat
- Gauge cluster includes: coolant temperature, fuel level, tachometer
- Indicators: air cleaner service, water separator service, engine coolant, oil pressure, torque converter temperature high, fuel level, charging, engine warning #1, engine warning #2, action lamp, wait to start
- Instrument panel lights
- Mirror, rear-view
- Pattern changer, in cab
- Ride control
- Seat belt, retractable, 3 in/75 mm
- Steering knob
- Seat, suspension, vinyl with armrest
- Storage compartment, lockable
- Storage tray
- Tilt steering column
- Throttle, hand and foot, manual

Electrical System

- Alarm, back-up
- Audible system fault alarm
- Battery, maintenance-free, 1,000 CCA
- Battery disconnect switch
- Dome light
- Flashing hazards/signal lights
- Lights, working (2 front, 2 rear)
- Power receptacle, 12 volt, 2 internal, 1 external
- Socket, two roof
- Starting system, glow plugs
- Stop and tail lights
- Warning horn, electric

Other

- Boom transport lock
- Brace, lift cylinder
- Cat cushion swing system
- Counterweight, bumper
- Counterweights, 255 lb/115 kg, 530 lb/240 kg or 1,015 lb/460 kg*
- Fenders, front with integral steps*
- Fenders, rear
- Fuel tank, fully enclosed
- Fully hinged front grill for cooling package cleaning access
- Ground level fuel fill
- Guard, boom protection plate
- Guard, stabilizer, rock
- Hood lock, inside cab
- Loader, self-leveling, return-to-dig and transmission disconnect switch
- Quick Coupler, hydraulic, dual lock*
- Rotating beacon, magnetic mount*
- Stabilizer pads, reversible
- Swing transport lock
- Tires
- Toolbox, external, lockable
- Vandalism locks, four
- Work Tool Attachments such as buckets, forks, material handling arms, augers, hammers, brooms, cold planer and vibratory plate compactors (optional - contact Caterpillar Defense)*

**Optional.*

Standard equipment may vary.

Consult Caterpillar Defense for details.

*All dimensions are approximate and may vary with configuration.
Specific military service configurations are available upon request.*

© 2021 Caterpillar. All Rights Reserved. Printed in the USA.

Materials and specifications are subject to change without notice. Featured machines may include additional equipment. See your account manager for available options.

CAT, CATERPILLAR, LET'S DO THE WORK, their respective logos, "Caterpillar Corporate Yellow", the "Power Edge" and Cat "Modern Hex" trade dress as well as corporate and product identity used herein, are trademarks of Caterpillar and may not be used without permission.