

METRIC [INCH]
FOOTPRINT VIEW
SCALE 2:1

1E2966B	IDENT
1E2722E	DRAWING
1E0198W	BRAND MARKINGS
1E0013G	CONFIDENTIALITY
1E0012A	INTERPRETATION
1E0011	INTPR & TOL
Caterpillar: Confidential Green	
PROJ	OTHER
RECORDS	
UNLESS OTHERWISE SPECIFIED	VERSION PRIMARY X
DIMENSIONS ARE IN MM	TYPE SECONDARY
DIMENSIONS W/O TOL ARE BASIC	SECONDARY
THIRD ANGLE PROJECTION	SHEET 5
	DWG CONTROL W915



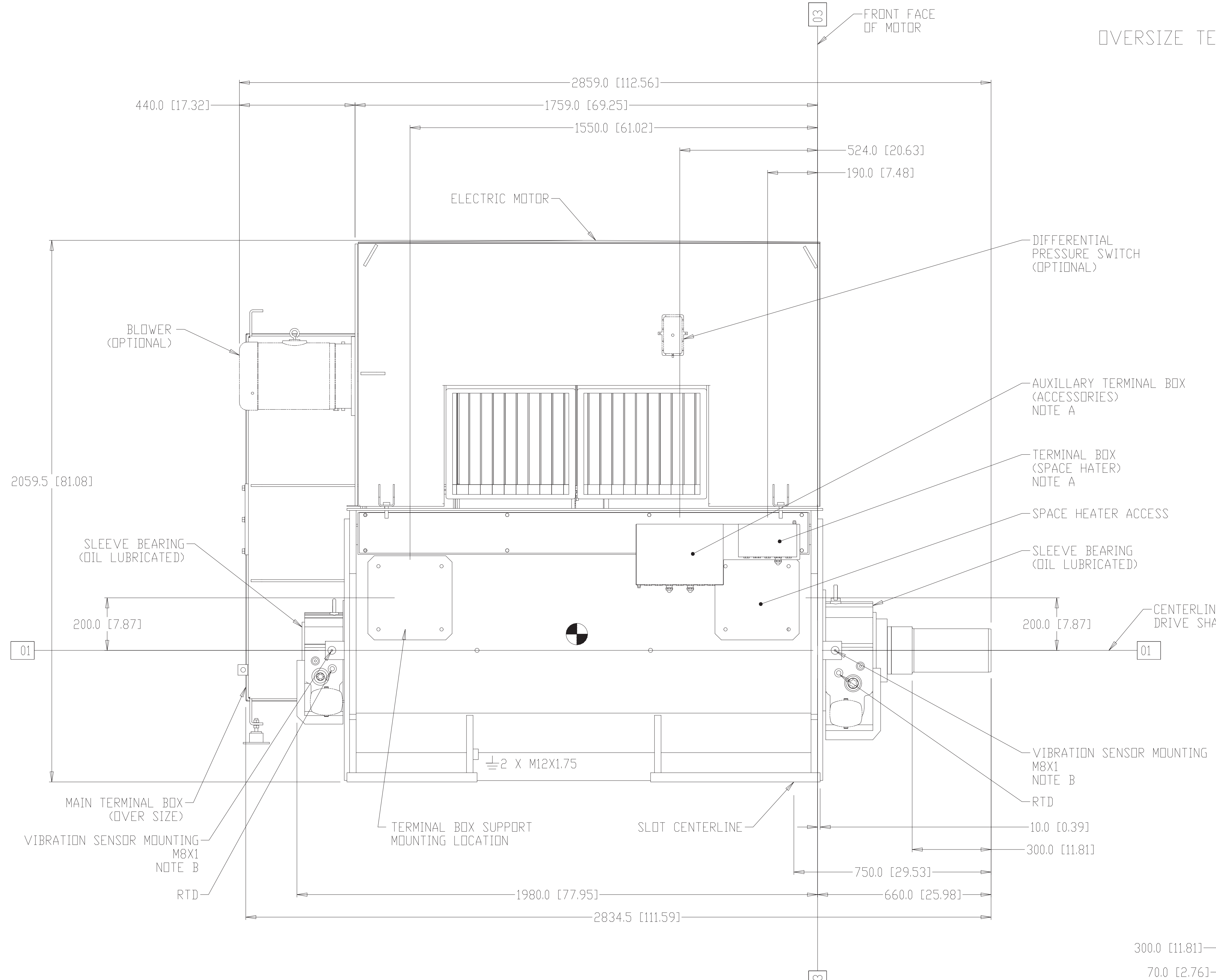
THE INFORMATION HEREON IS THE PROPERTY OF CATERPILLAR INC. AND/OR ITS SUBSIDIARIES. WITHOUT WRITTEN PERMISSION, ANY COPYING, TRANSMISSION, TO DISSEMINATE OR USE IN ANY MANNER IS PROHIBITED.

CN2086 (2000HP), CN2586 (2500HP)

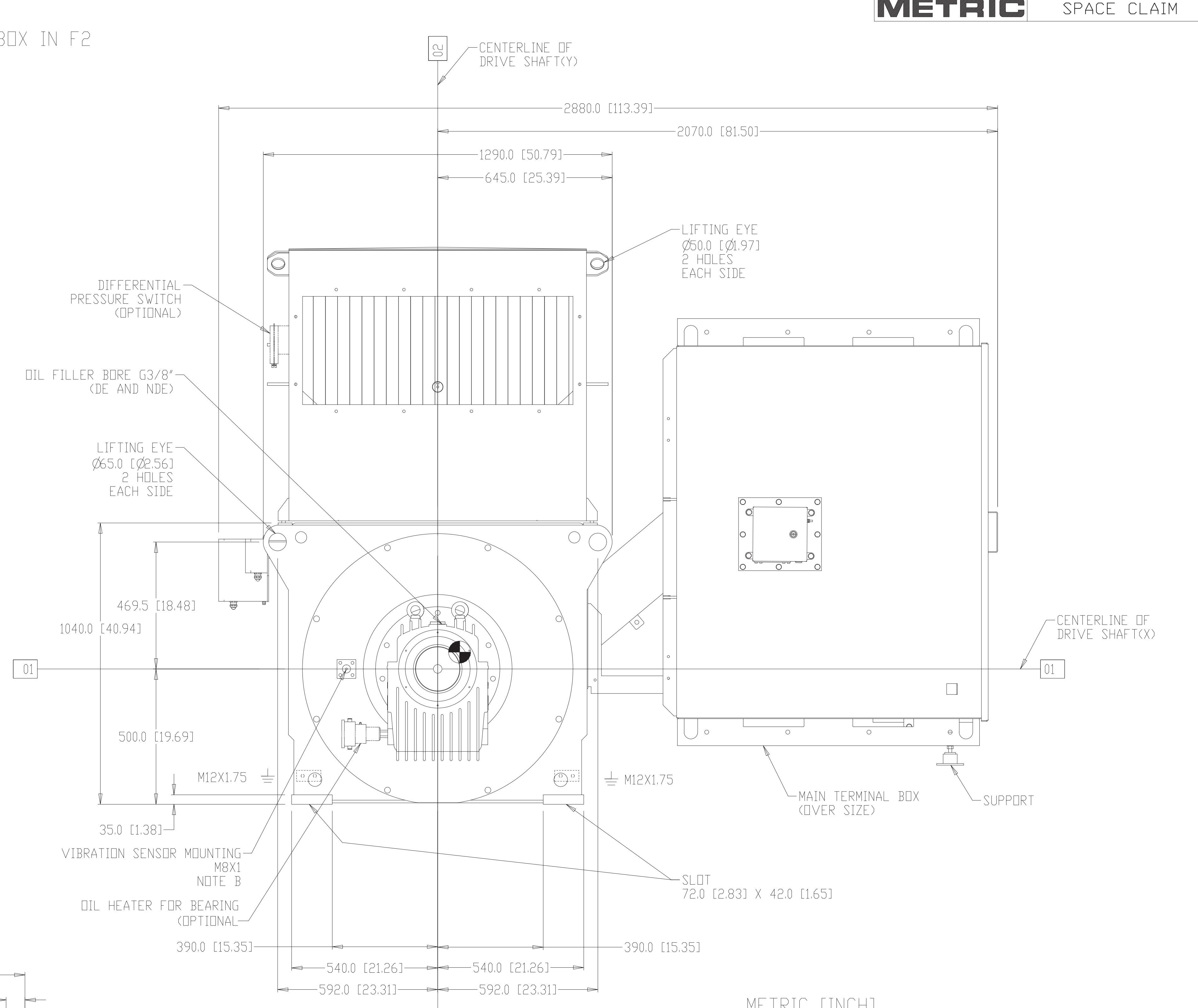
FOR NOTES SEE SHEET 1

SPACE CLAIM	VER	CHG
	-	00

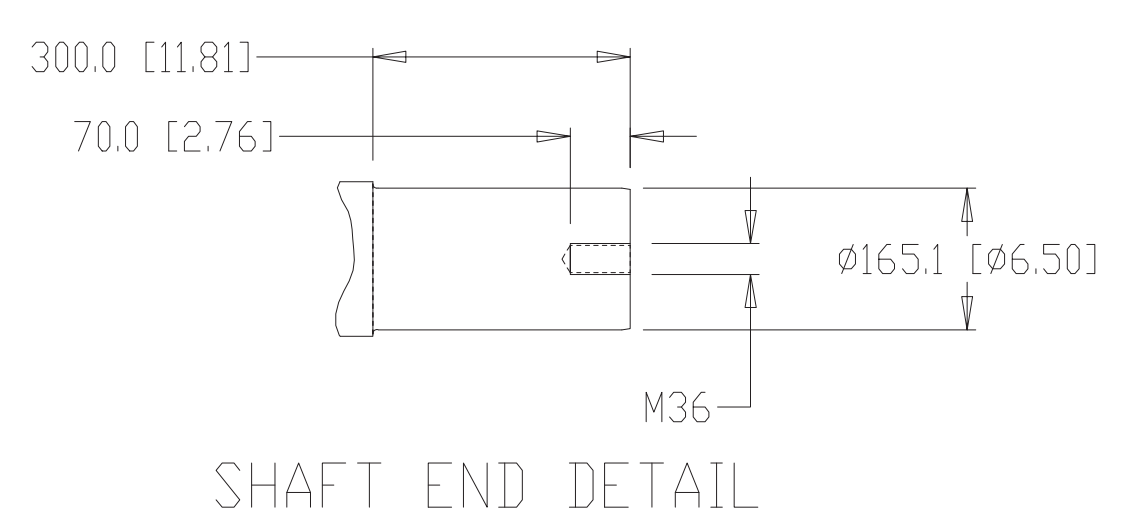
OVERSIZE TERMINAL BOX IN F2



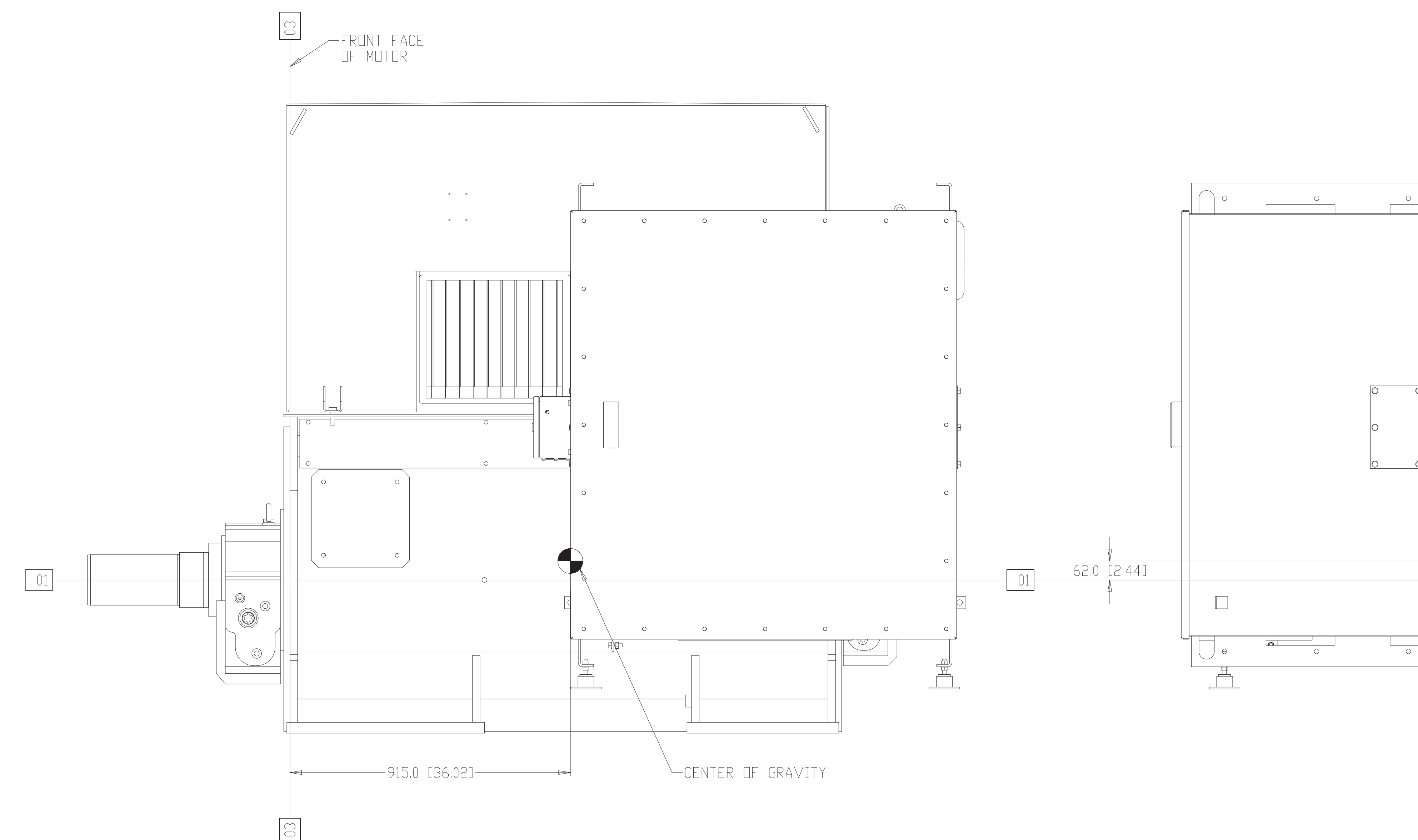
METRIC [INCH] RIGHT SIDE VIEW



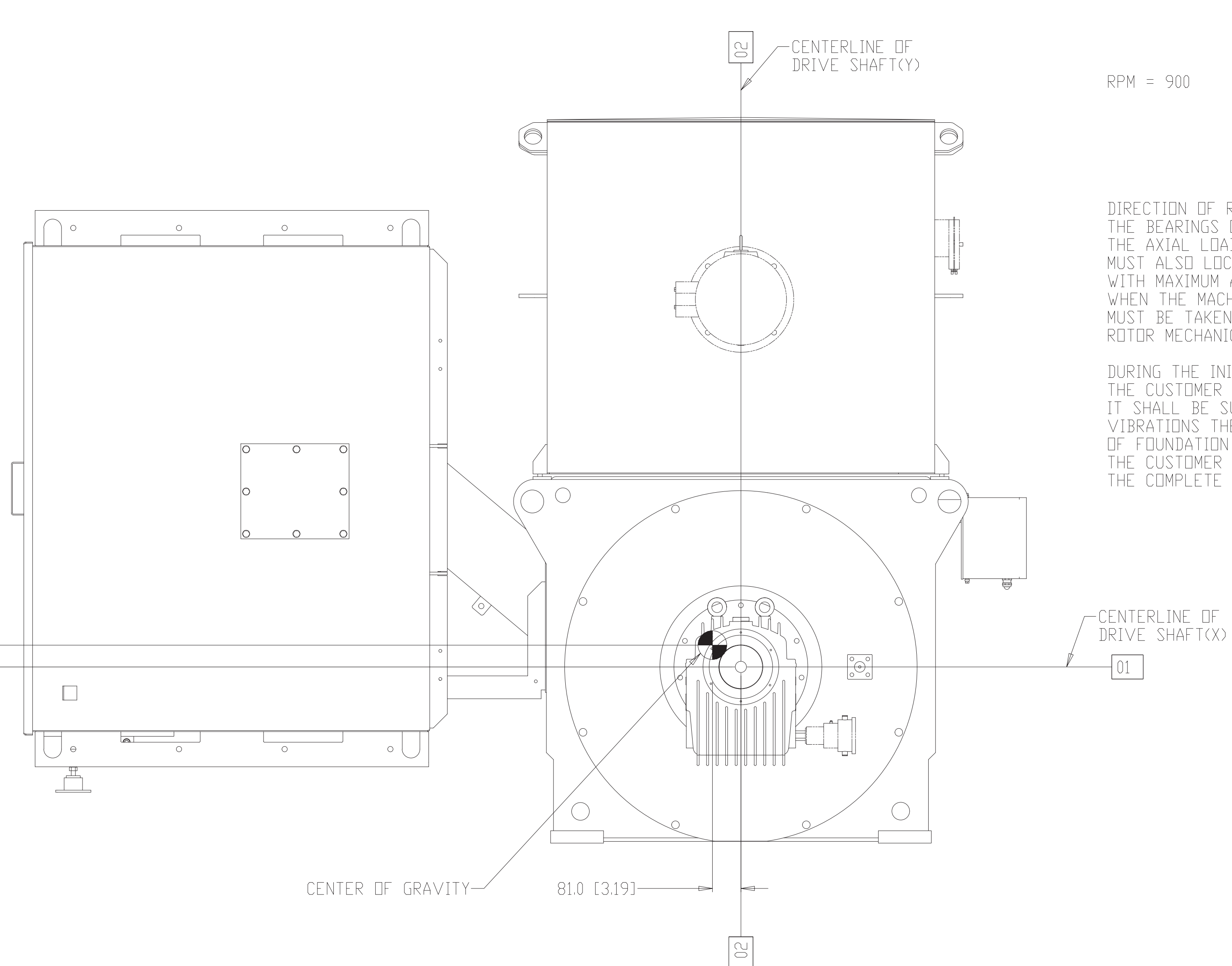
METRIC [INCH] DRIVE END VIEW



SHAFT END DETAIL



METRIC [INCH] LEFT SIDE VIEW



METRIC [INCH] NON-DRIVE END VIEW

RPM = 900

DIRECTION OF ROTATION LOOKING AT DE SHAFT EXTENSION. THE BEARINGS OF THIS ELECTRIC MACHINE DO NOT WITHSTAND CONTINUOUS AXIAL FORCES. THE AXIAL LOAD MUST BE CARRIED BY THE BEARINGS OF THE DRIVEN MACHINE, WHICH MUST ALSO LOCK THE SHAFT SYSTEM AXIALLY. THE COUPLING MUST BE LIMITED TYPE WITH MAXIMUM AXIAL MOVEMENT LESS THAN AXIAL END FLOAT OF ROTOR. WHEN THE MACHINERY IS IN OPERATION, THE PERMISSIBLE AXIAL DISPLACEMENT MUST BE TAKEN INTO ACCOUNT DURING INSTALLATION OF THE MACHINERY. ROTOR MECHANICAL END FLOAT IS ± 8 mm (0.315").

DURING THE INITIAL INSTALLATION PLACE 2 mm (0.0787") SHIMS UNDER THE FEET OF THE MOTOR. THE CUSTOMER IS RESPONSIBLE FOR THE DESIGN AND CONSTRUCTION OF THE FOUNDATION. IT SHALL BE SUFFICIENTLY RIGID TO WITHSTAND SHORT CIRCUIT FORCES. TO AVOID RESONANCE VIBRATIONS THE FOUNDATION SHALL BE DESIGNED SO THAT THE NATURAL FREQUENCY OF FOUNDATION TOGETHER WITH MACHINE IS NOT WITHIN ±20% OF RUNNING SPEED FREQUENCY. THE CUSTOMER IS ALSO RESPONSIBLE FOR LATERAL AND TORSIONAL CRITICAL ANALYSIS OF THE COMPLETE INSTALLATION.

1E2966B	IDENT
1E2722E	DRAWING
1E0198W	BRAND MARKINGS
1E0013G	CONFIDENTIALITY
1E0012A	INTERPRETATION
1E0011	INTPR & TOL
Caterpillar: Confidential Green	
PROJ	OTHER
RECORDS	
UNLESS OTHERWISE SPECIFIED	VERSION PRIMARY
DIMENSIONS ARE IN MM	TYPE SECONDARY
DIMENSIONS W/O TOL ARE BASIC	
THIRD ANGLE PROJECTION	SHEET 4
	DWG CONTROL W915

CATERPILLAR

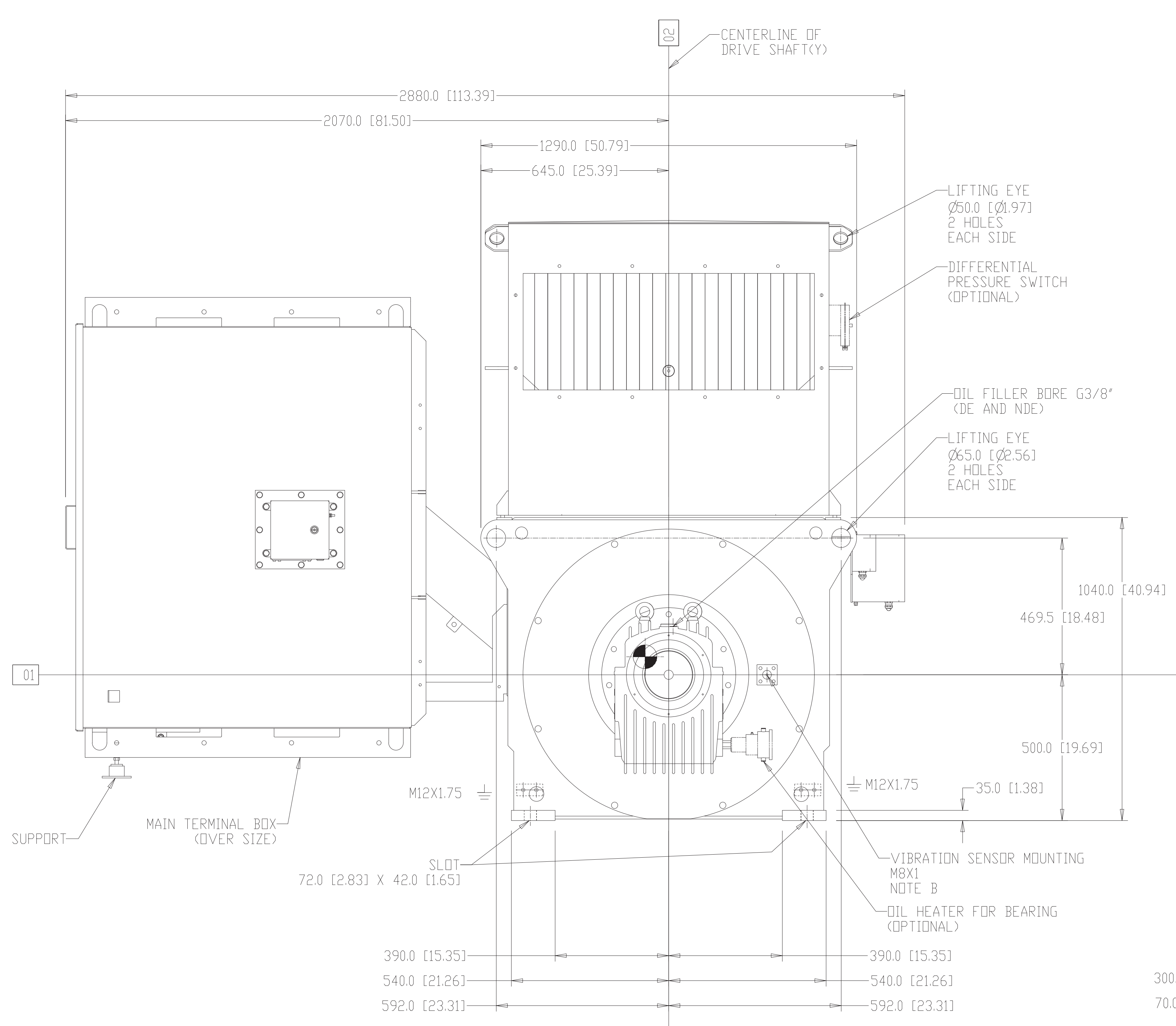
THE INFORMATION HEREON IS THE PROPERTY OF CATERPILLAR INC. AND/OR ITS SUBSIDIARIES. WITHOUT WRITTEN PERMISSION, ANY COPYING, TRANSMISSION, TO DISSEMINATE OR USE IN ANY MANNER WITHOUT THE EXPRESS WRITTEN PERMISSION OF CATERPILLAR INC.

CN2086 (2000HP), CN2586 (2500HP)

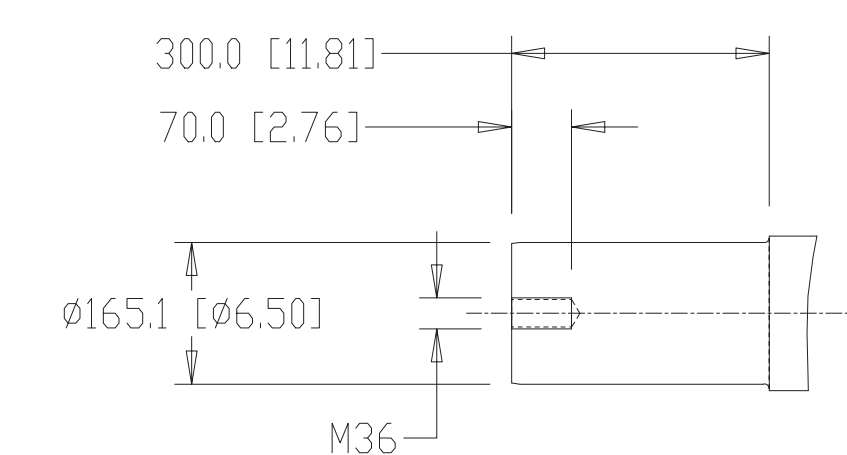
FOR NOTES SEE SHEET 1

SPACE CLAIM	VER	CHG
	-	00

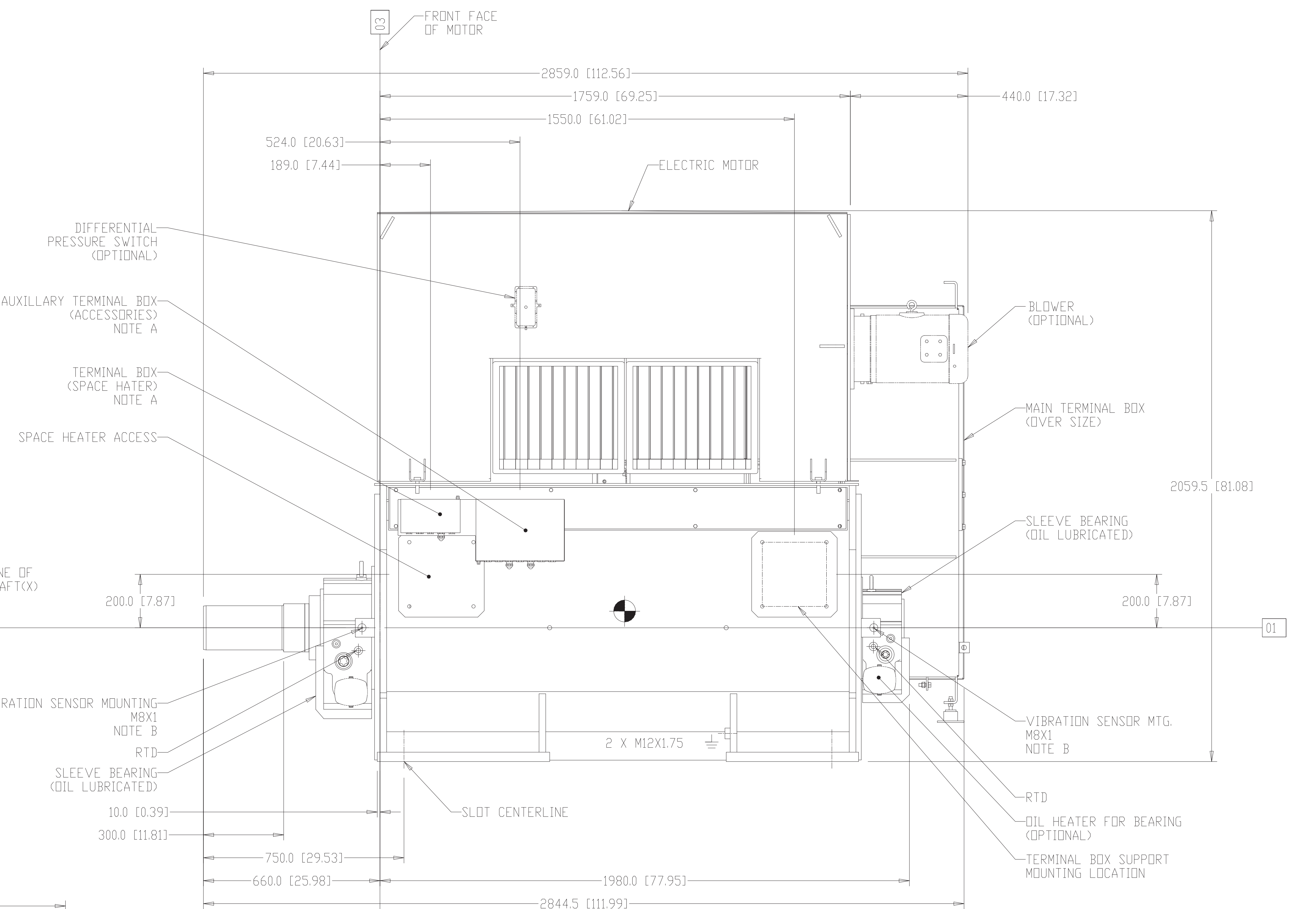
OVERSIZE TERMINAL BOX IN F1



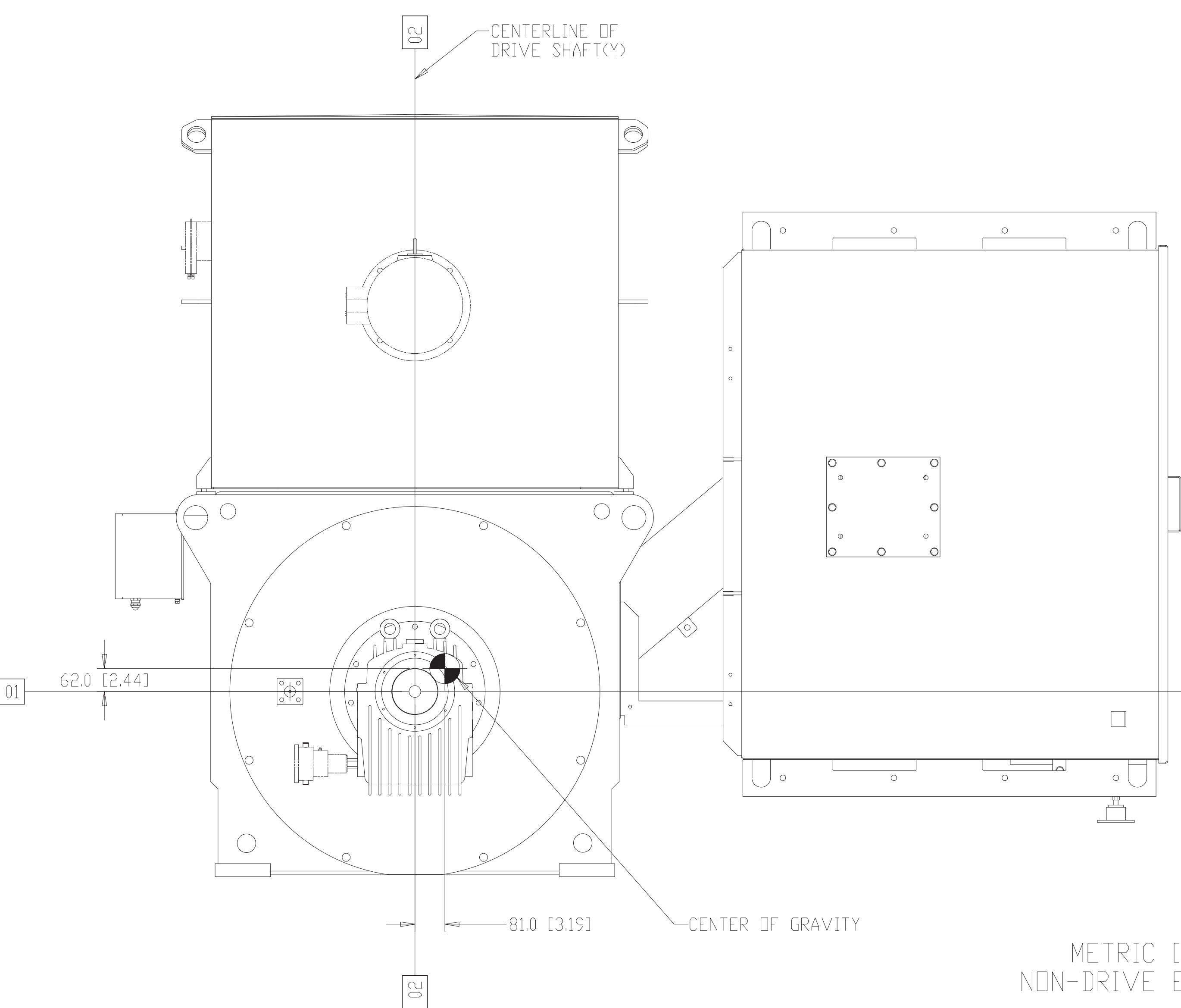
METRIC [INCH] DRIVE END VIEW



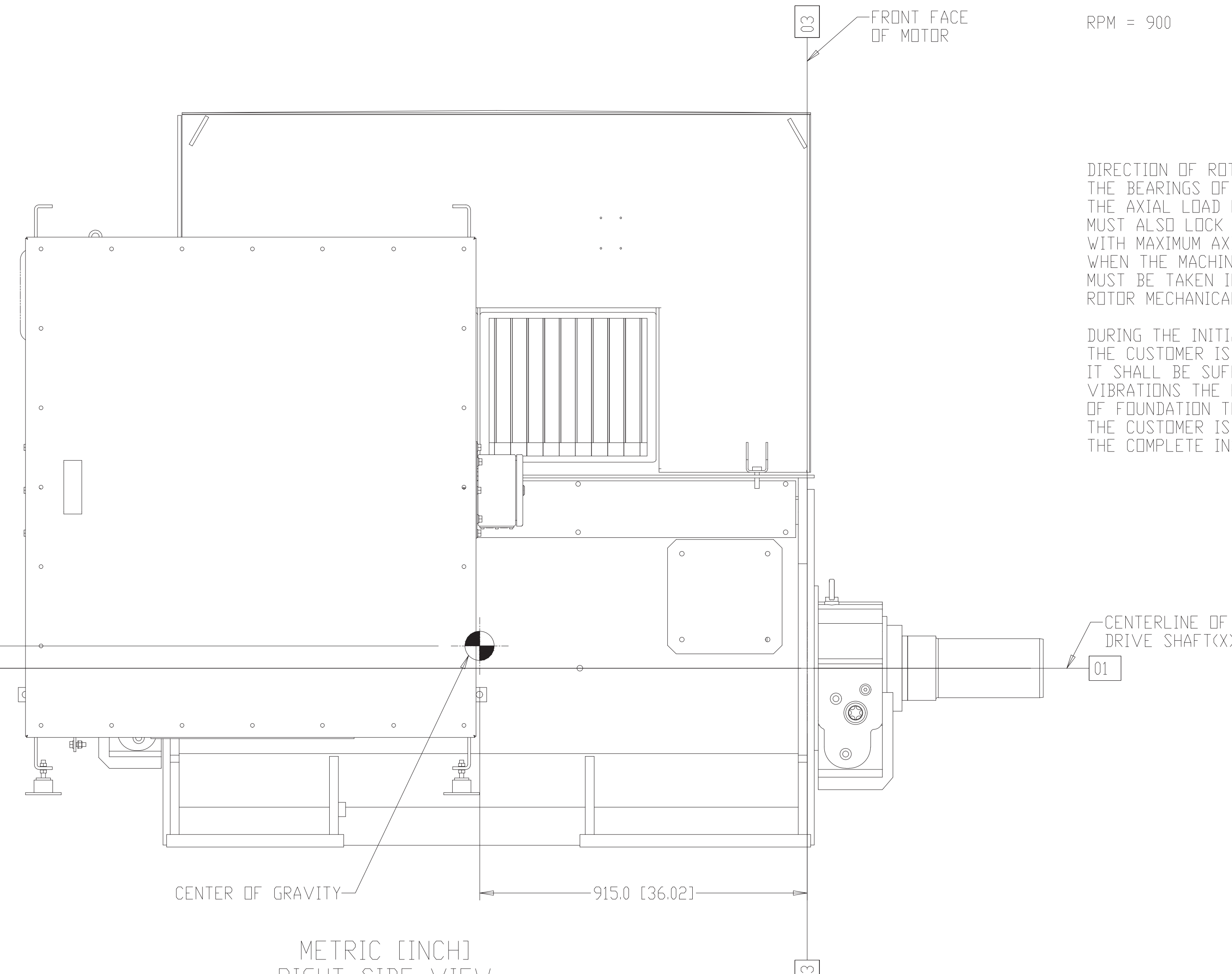
SHAFT END DETAIL



METRIC [INCH] LEFT SIDE VIEW



METRIC [INCH] NON-DRIVE END VIEW



METRIC [INCH] RIGHT SIDE VIEW

RPM = 900

DIRECTION OF ROTATION LOOKING AT DE SHAFT EXTENSION. THE BEARINGS OF THIS ELECTRIC MACHINE DO NOT WITHSTAND CONTINUOUS AXIAL FORCES. THE AXIAL LOAD MUST BE CARRIED BY THE BEARINGS OF THE DRIVEN MACHINE, WHICH MUST ALSO LOCK THE SHAFT SYSTEM AXIALLY. THE COUPLING MUST BE LIMITED TYPE WITH MAXIMUM AXIAL MOVEMENT LESS THAN AXIAL END FLOAT OF ROTOR. WHEN THE MACHINERY IS IN OPERATION, THE PERMISSIBLE AXIAL DISPLACEMENT MUST BE TAKEN INTO ACCOUNT DURING INSTALLATION OF THE MACHINERY. ROTOR MECHANICAL END FLOAT IS ± 8 mm [0.315"].

DURING THE INITIAL INSTALLATION PLACE 2 mm [0.0787"] SHIMS UNDER THE FEET OF THE MOTOR. THE CUSTOMER IS RESPONSIBLE FOR THE DESIGN AND CONSTRUCTION OF THE FOUNDATION. IT SHALL BE SUFFICIENTLY RIGID TO WITHSTAND SHORT CIRCUIT FORCES. TO AVOID RESONANCE VIBRATIONS THE FOUNDATION SHALL BE DESIGNED SO THAT THE NATURAL FREQUENCY OF FOUNDATION TOGETHER WITH MACHINE IS NOT WITHIN ±20% OF RUNNING SPEED FREQUENCY. THE CUSTOMER IS ALSO RESPONSIBLE FOR LATERAL AND TORSIONAL CRITICAL SPEED ANALYSIS OF THE COMPLETE INSTALLATION.

1E2966B	IDENT
1E2722E	DRAWING
1E0198W	BRAND MARKINGS
1E0013G	CONFIDENTIALITY
1E0012A	INTERPRETATION
1E0011	INTPR & TOL
Caterpillar: Confidential Green	
PROJ	OTHER RECORDS
UNLESS OTHERWISE SPECIFIED	VERSION PRIMARY X
DIMENSIONS ARE IN MM	TYPE SECONDARY
DIMENSIONS W/D TOL ARE BASIC	
THIRD ANGLE PROJECTION	SHEET 2
	DWG CONTROL W915

CATERPILLAR

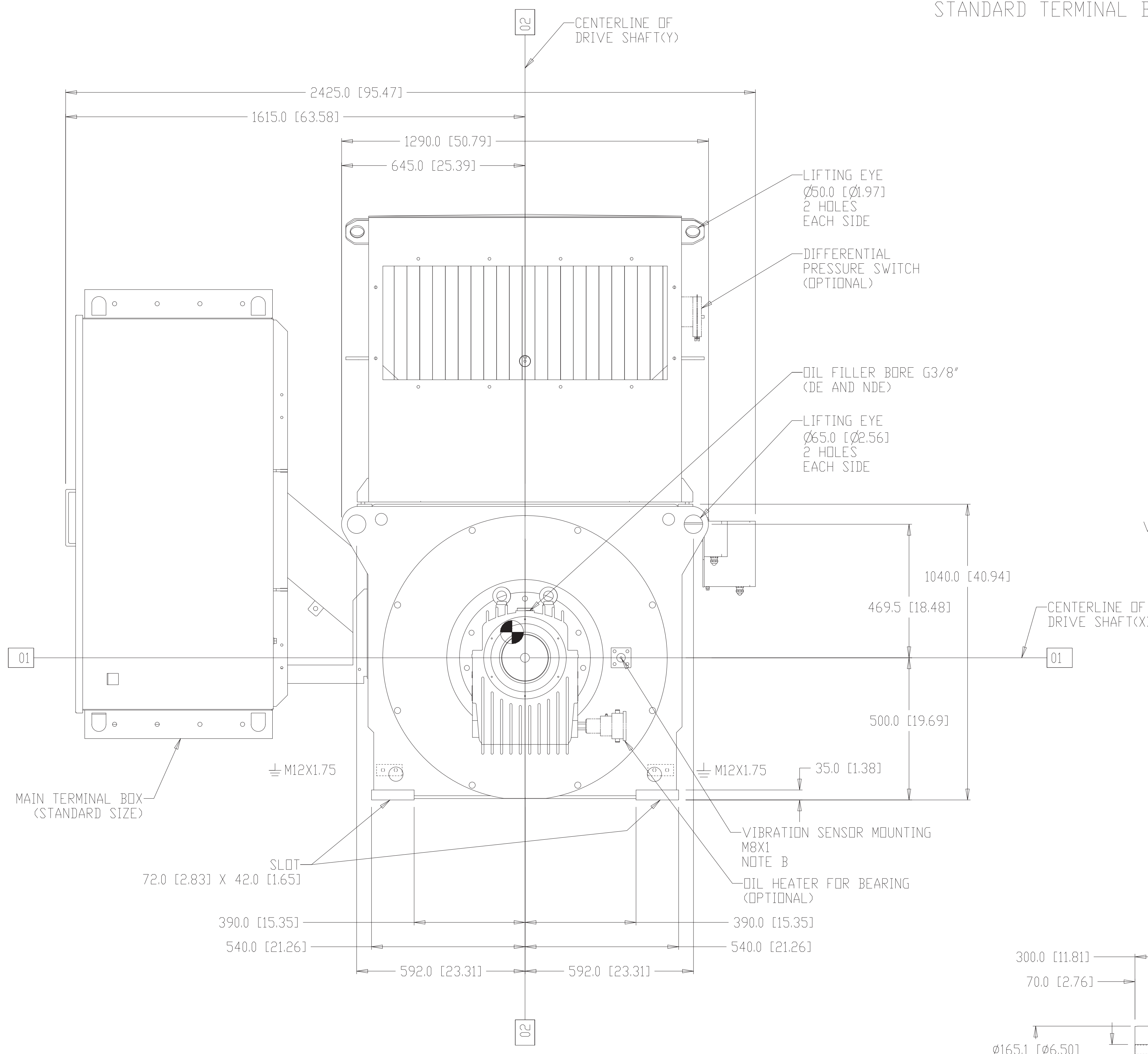
THE INFORMATION HEREON IS THE PROPERTY OF CATERPILLAR INC. AND/OR ITS SUBSIDIARIES. WITHOUT WRITTEN PERMISSION, ANY COPYING, TRANSMISSION, TO OTHERS OR ANY USE OF THIS INFORMATION IS PROHIBITED.

CN2086 (2000HP), CN2586 (2500HP)

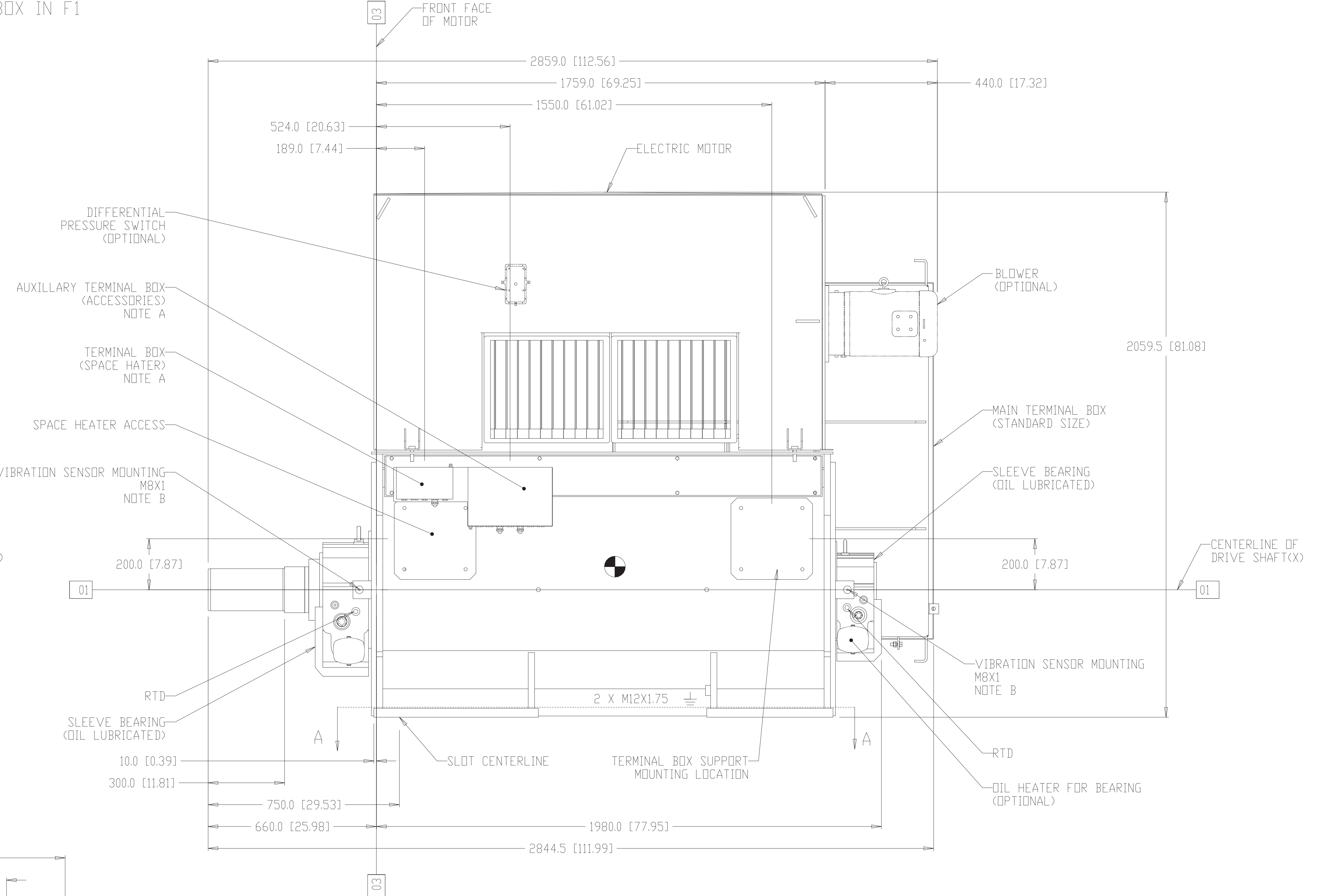
FOR NOTES SEE SHEET 1

SPACE CLAIM	VER	CHG
	-	00

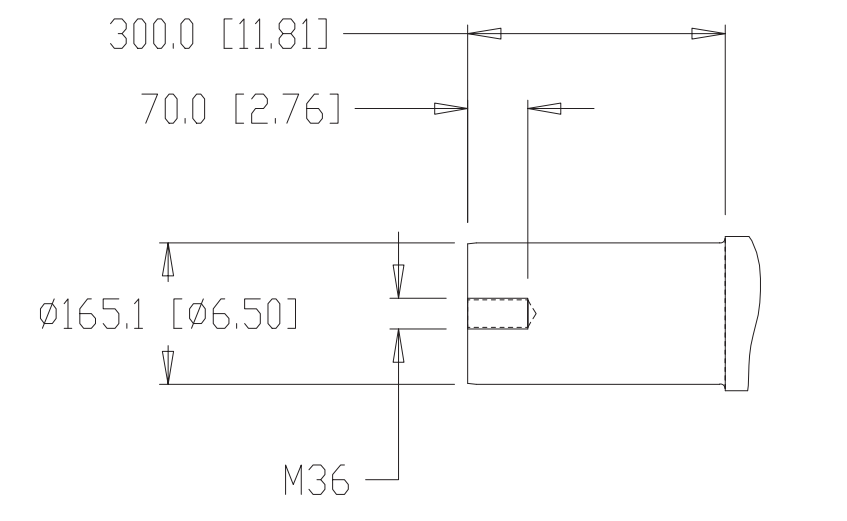
STANDARD TERMINAL BOX IN F1



METRIC [INCH]
DRIVE END VIEW

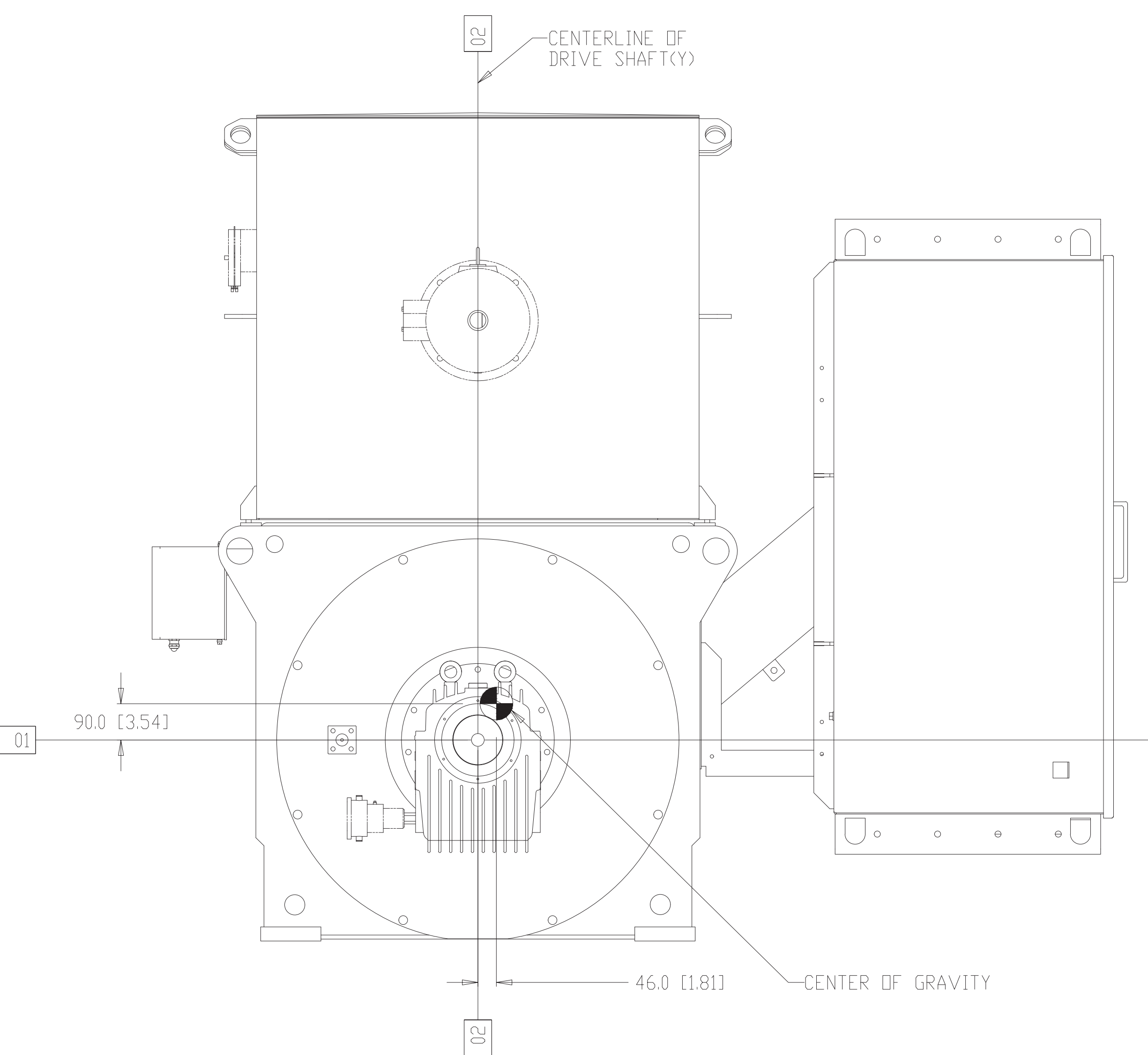


METRIC [INCH]
LEFT SIDE VIEW

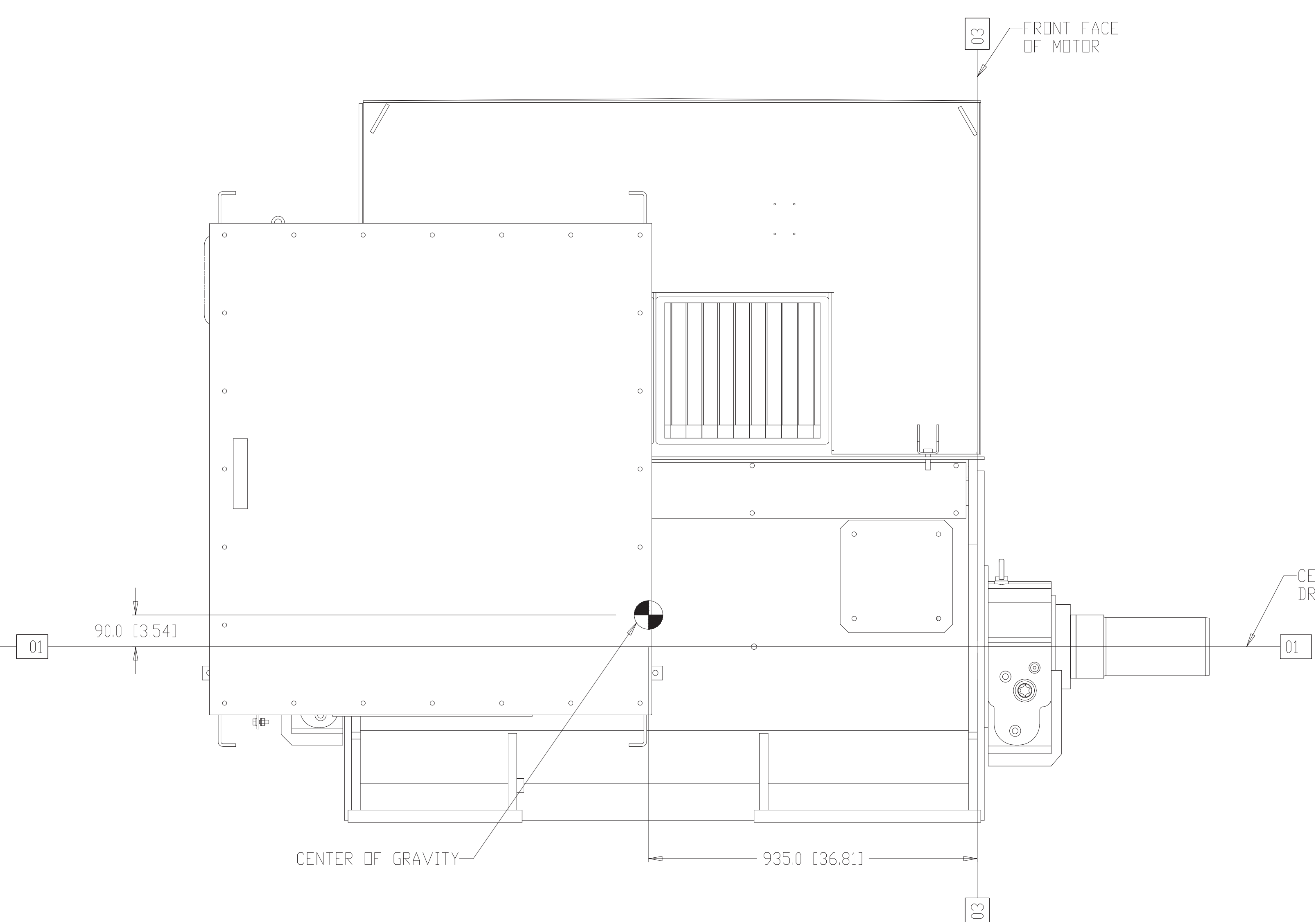


SHAFT END DETAIL

RPM = 900



METRIC [INCH]
NON-DRIVE END VIEW



METRIC [INCH]
RIGHT SIDE VIEW

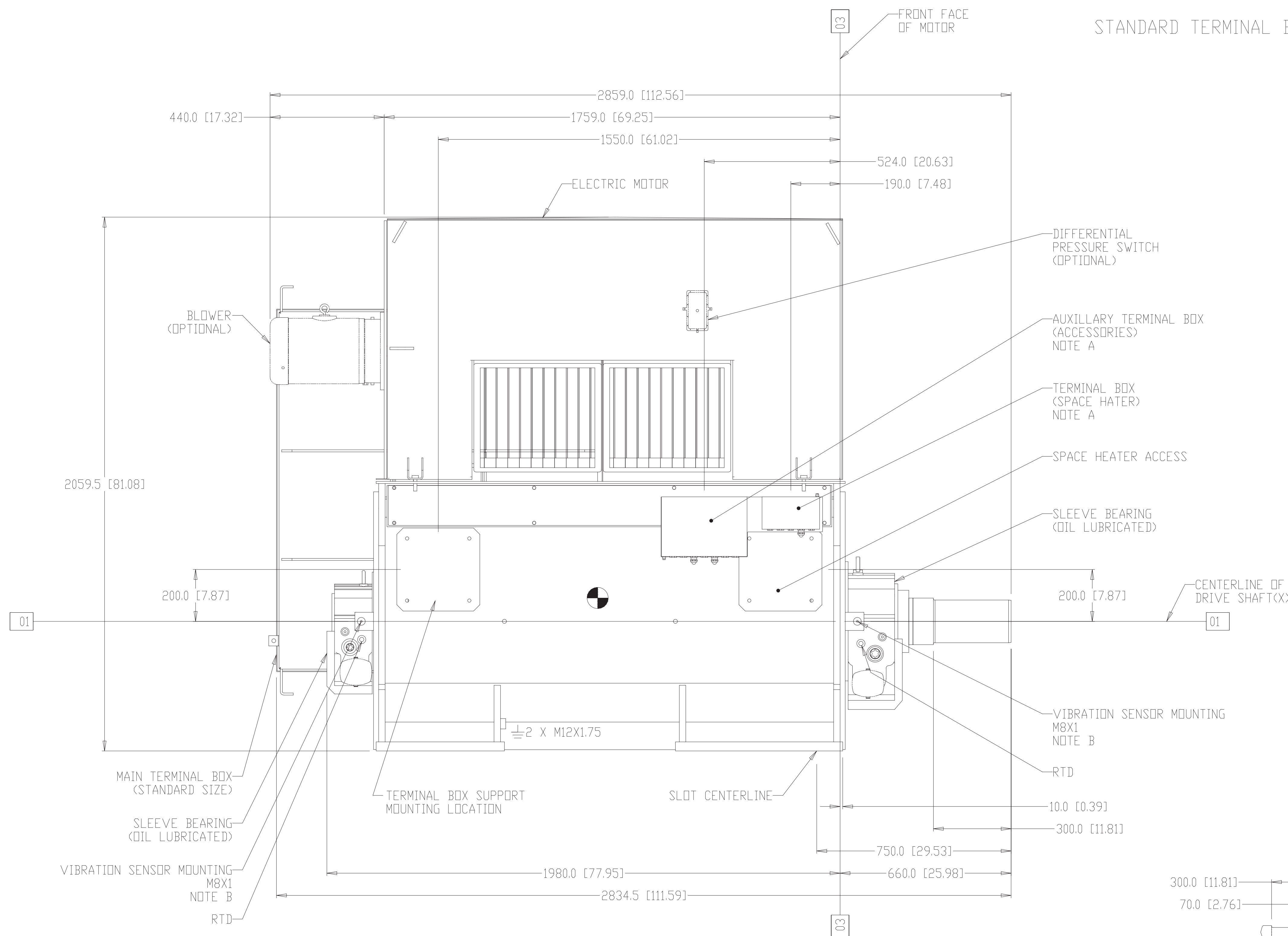
DIRECTION OF ROTATION LOOKING AT DE SHAFT EXTENSION.
THE BEARINGS OF THIS ELECTRIC MACHINE DO NOT WITHSTAND CONTINUOUS AXIAL FORCES. THE AXIAL LOAD MUST BE CARRIED BY THE BEARINGS OF THE DRIVEN MACHINE, WHICH MUST ALSO LOCK THE SHAFT SYSTEM AXIALLY. THE COUPLING MUST BE LIMITED TYPE WITH MAXIMUM AXIAL MOVEMENT LESS THAN AXIAL END FLOAT OF ROTOR. WHEN THE MACHINERY IS IN OPERATION, THE PERMISSIBLE AXIAL DISPLACEMENT MUST BE TAKEN INTO ACCOUNT DURING INSTALLATION OF THE MACHINERY. ROTOR MECHANICAL END FLOAT IS ± 8 mm (0.315").

DURING THE INITIAL INSTALLATION PLACE 2 mm (0.0787") SHIMS UNDER THE FEET OF THE MOTOR. THE CUSTOMER IS RESPONSIBLE FOR THE DESIGN AND CONSTRUCTION OF THE FOUNDATION. IT SHALL BE SUFFICIENTLY RIGID TO WITHSTAND SHORT CIRCUIT FORCES. TO AVOID RESONANCE VIBRATIONS THE FOUNDATION SHALL BE DESIGNED SO THAT THE NATURAL FREQUENCY OF FOUNDATION TOGETHER WITH MACHINE IS NOT WITHIN ±20% OF RUNNING SPEED FREQUENCY. THE CUSTOMER IS ALSO RESPONSIBLE FOR LATERAL AND TORSIONAL CRITICAL SPEED ANALYSIS OF THE COMPLETE INSTALLATION.

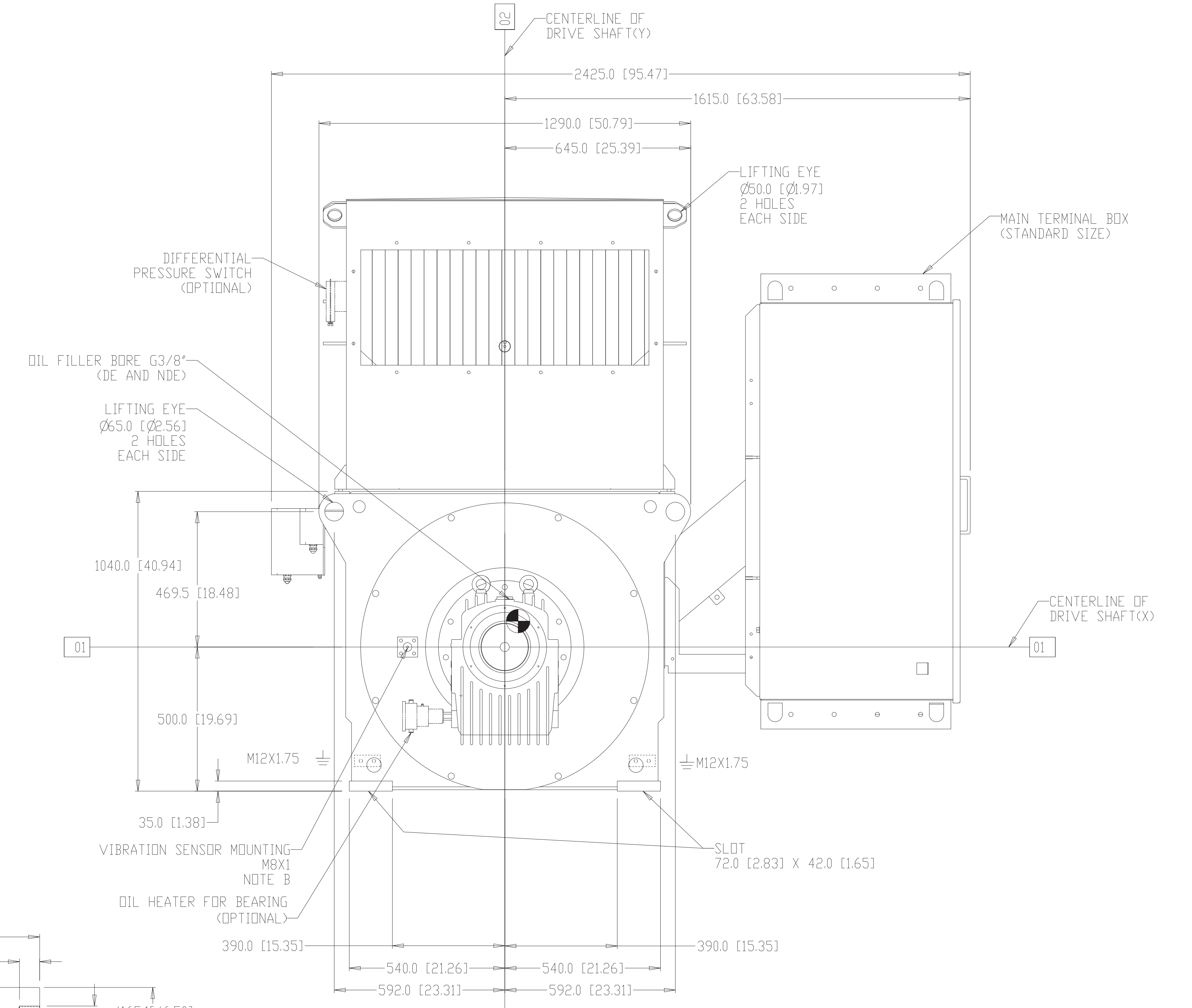
NOTE A: AUXILIARY TERMINAL BOXES CAN BE FACTORY INSTALLED ON EITHER SIDE OF THE MOTOR.
NOTE B: VIBRATION SENSOR MOUNTING BLOCK, BEARING RTD AND LUBE OIL HEATER WILL BE LOCATED ON THE SAME SIDE OF THE MOTOR AS THE AUXILIARY TERMINAL BOX.

1E2966B	IDENT
1E2722E	DRAWING
1E0198W	BRAND MARKINGS
1E0013G	CONFIDENTIALITY
1E0012A	INTERPRETATION
1E0011	INTPR & TOL
Caterpillar: Confidential Green	
PROJ	OTHER RECORDS
UNLESS OTHERWISE SPECIFIED	VERSION PRIMARY X
DIMENSIONS ARE IN MM	TYPE SECONDARY
DIMENSIONS W/O TOL ARE BASIC	
THIRD ANGLE PROJECTION	SHEET 1
	DWG CONTROL W915
CATERPILLAR	
THE INFORMATION HEREON IS THE PROPERTY OF CATERPILLAR INC. AND/OR ITS SUBSIDIARIES. WITHOUT WRITTEN PERMISSION, ANY COPYING, TRANSMISSION, OR DISTRIBUTION OF THIS INFORMATION IS PROHIBITED.	
CN2086 (2000HP), CN2586 (2500HP)	
SPACE CLAIM	VER - CHG 00

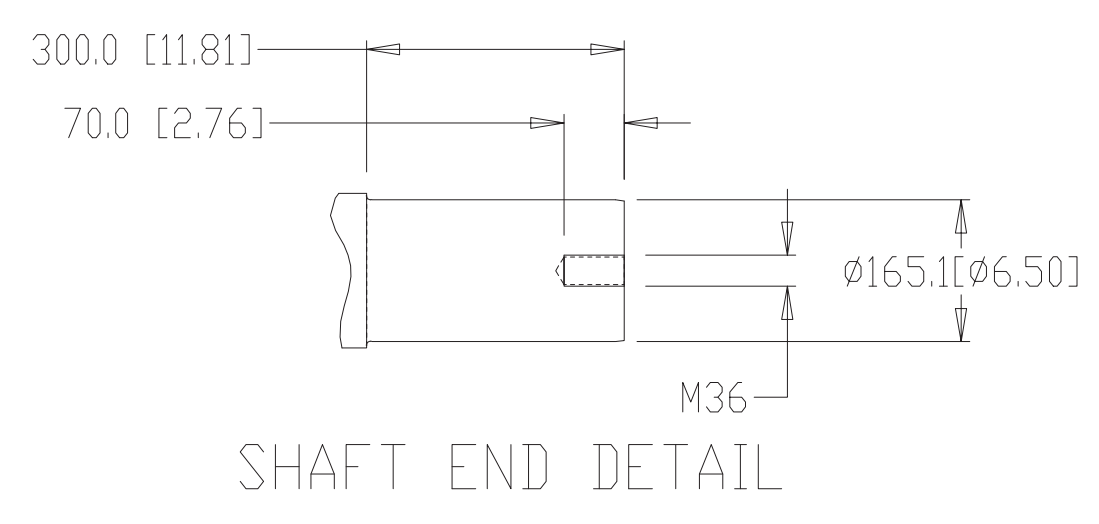
STANDARD TERMINAL BOX IN F2



METRIC [INCH] RIGHT SIDE VIEW



METRIC [INCH] DRIVE END VIEW

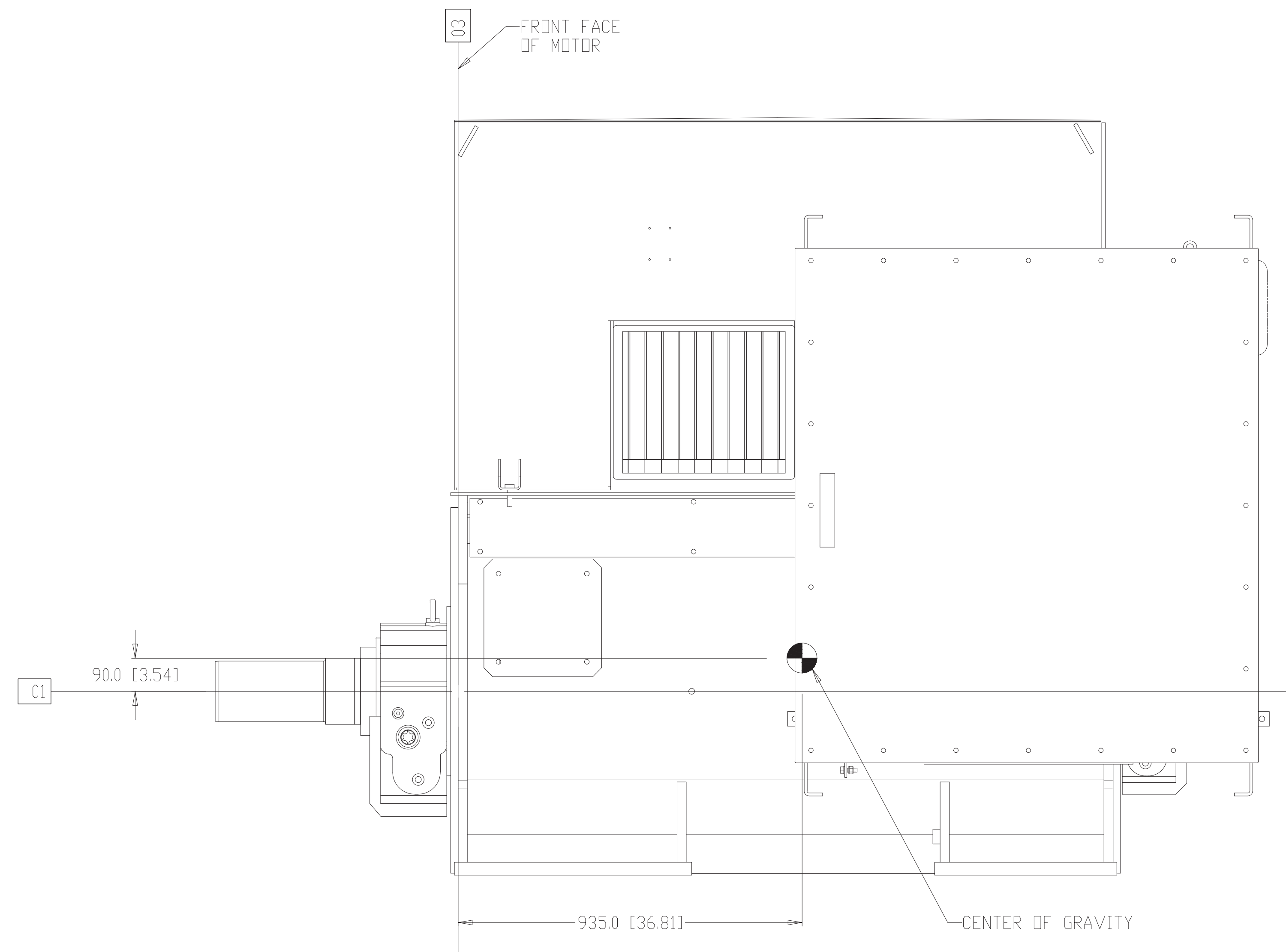


SHAFT END DETAIL

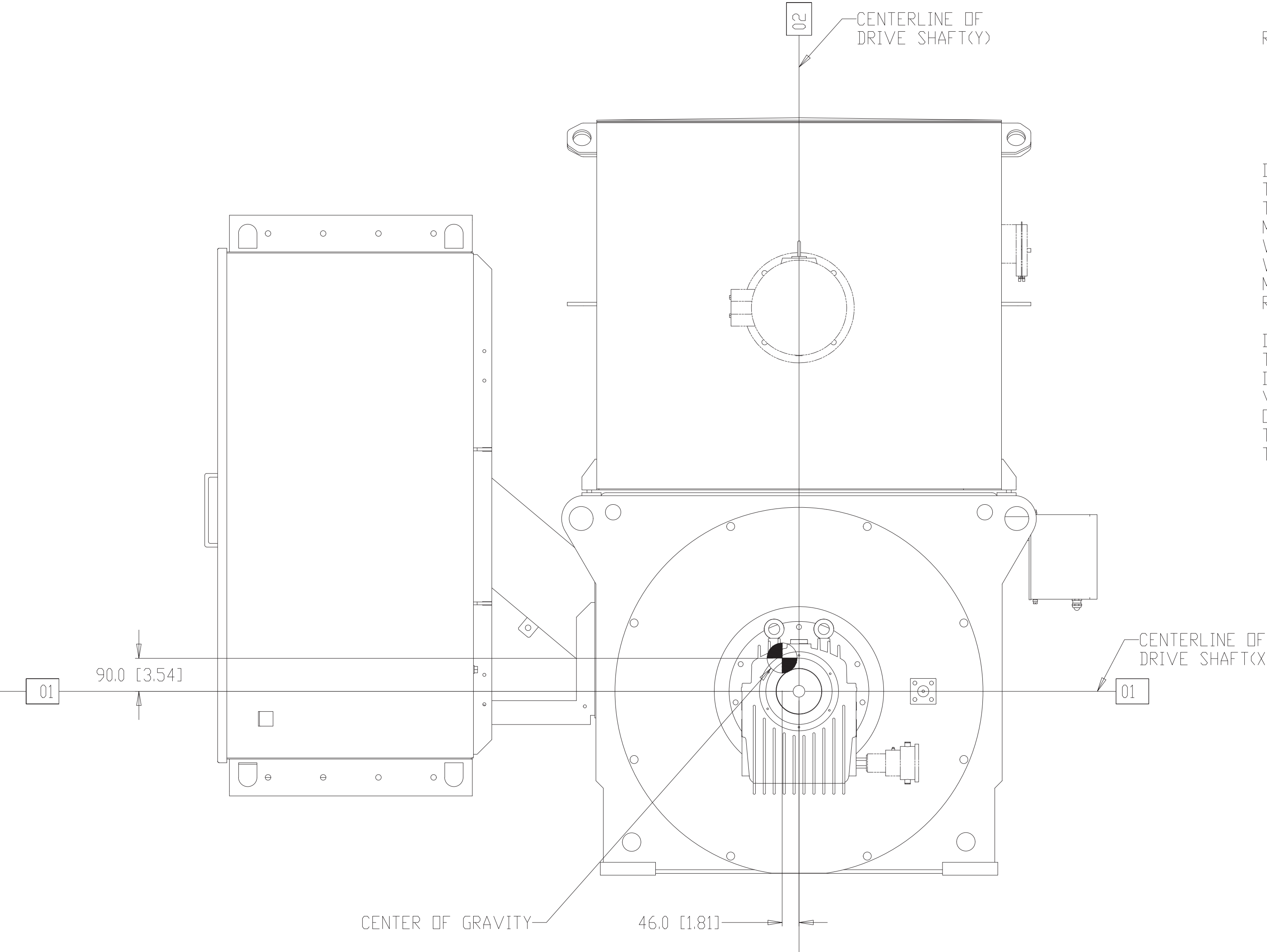
RPM = 900

DIRECTION OF ROTATION LOOKING AT DE SHAFT EXTENSION. THE BEARINGS OF THIS ELECTRIC MACHINE DO NOT WITHSTAND CONTINUOUS AXIAL FORCES. THE AXIAL LOAD MUST BE CARRIED BY THE BEARINGS OF THE DRIVEN MACHINE, WHICH MUST ALSO LOCK THE SHAFT SYSTEM AXIALLY. THE COUPLING MUST BE LIMITED TYPE WITH MAXIMUM AXIAL MOVEMENT LESS THAN AXIAL END FLDAT OF ROTOR. WHEN THE MACHINERY IS IN OPERATION, THE PERMISSIBLE AXIAL DISPLACEMENT MUST BE TAKEN INTO ACCOUNT DURING INSTALLATION OF THE MACHINERY. ROTOR MECHANICAL END FLDAT IS ± 8 mm (0.315").

DURING THE INITIAL INSTALLATION PLACE 2 mm (0.0787") SHIMS UNDER THE FEET OF THE MOTOR. THE CUSTOMER IS RESPONSIBLE FOR THE DESIGN AND CONSTRUCTION OF THE FOUNDATION. IT SHALL BE SUFFICIENTLY RIGID TO WITHSTAND SHORT CIRCUIT FORCES. TO AVOID RESONANCE VIBRATIONS THE FOUNDATION SHALL BE DESIGNED SO THAT THE NATURAL FREQUENCY OF FOUNDATION TOGETHER WITH MACHINE IS NOT WITHIN ±20% OF RUNNING SPEED FREQUENCY. THE CUSTOMER IS ALSO RESPONSIBLE FOR LATERAL AND TORSIONAL CRITICAL SPEED ANALYSIS OF THE COMPLETE INSTALLATION.



METRIC [INCH] LEFT SIDE VIEW



METRIC [INCH] NON-DRIVE END VIEW

1E2966B	IDENT
1E2722E	DRAWING
1E0198W	BRAND MARKINGS
1E0013G	CONFIDENTIALITY
1E0012A	INTERPRETATION
1E0011	INTPR & TOL
Caterpillar Confidential Green	
PROD	OTHER RECORDS
UNLESS OTHERWISE SPECIFIED	VERSION PRIMARY X
DIMENSIONS ARE IN MM	TYPE SECONDARY
DIMENSIONS W/O TOL ARE BASIC	
THIRD ANGLE PROJECTION	SHEET 3
	DWG CONTROL W915
CATERPILLAR	
THE INFORMATION HEREON IS THE PROPERTY OF CATERPILLAR INC. AND/OR ITS SUBSIDIARIES WITHOUT WRITTEN PERMISSION, ANY COPYING, TRANSMISSION, OR DISTRIBUTION OF THIS INFORMATION IS STRICTLY PROHIBITED.	
CN2086 (2000HP), CN2586 (2500HP)	
SPACE CLAIM	VER - CHG - 00

FOR NOTES SEE SHEET 1