



# FB180-2

## Prime rating

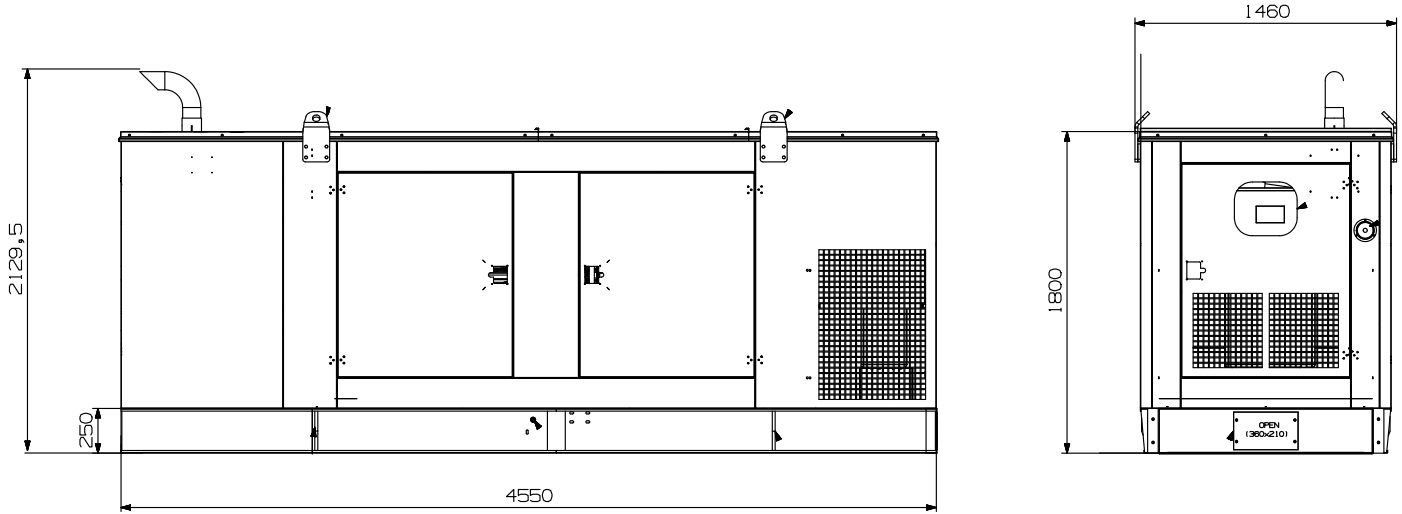
- Meets latest India CPCBII as per G.S.R 771(E) dated 11/12/2013 and its further amendments.
- Meets CPCB / MOEF norms as per G.S.R 371(T) dated 17/05/2002 and its further amendments.



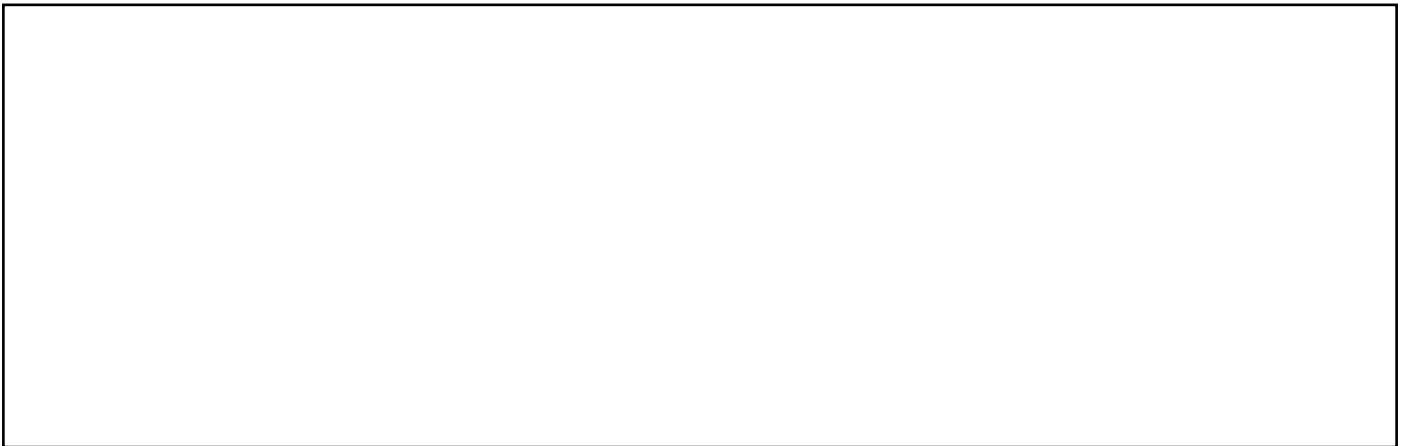
Genset Technical Data		Alternator Technical Data	
Genset Rating (kVA)	180	Alternator Make	CG
No of Phases	3	No of Bearings	Single Bearing
Power Factor	0.8	Alternator model	G1R250LB
Voltage (V)	415	Alternator rating	180
Frequency (Hz)	50	Class of insulation	H
Current (A)	250.4	Coupling details	SAE3/11.5"
Controller Type	Standard	Voltage Variation (%)	+/- 1
Starting System	24 V D.C.	Rated Full load current (A)	250.4
Genset Weight (kg)	3000	Fuel & Oil Systems Technical Data	
Noise @ 75% load (dBA)	< 75 @ 1m	Fuel System	Mechanical
Genset Dimensions (LxWxH) (mm)	4550 x 1460 x 2130	Type Of Fuel	HSD
Battery Type	2 x 12 Volt	Genset Fuel Tank Capacity (l)	300
Circuit Breaker Rating (A)	250.4	Fuel Consumption - @ 100% Load (l/hr)*	38.08
Engine Technical Data		Fuel Consumption - @ 75% Load (l/hr)*	30.41
Engine Model	FBD6-6.8D2	Fuel Consumption - @ 50% Load (l/hr)*	22.43
Engine Speed (rpm)	1500	Fuel Consumption Tolerance	0 to +5%
Engine Volume (l)	6.8	Lube Oil change period (hrs)	500
Rated Power (kW)	170	Oil Type	15W40 CH4
No. of cylinder	6	Oil capacity (l)	11.5
Bore (mm)	107	Oil Consumption @100% load (l/hr)	< 0.1% of FC
Stroke (mm)	126		
Compression Ratio	17.5:1		
Aspiration	TC-IC		
Cooling System	Liquid Cooled		
Cooling System Capacity (l)	22		
Governing	Mechanical A2 Class		

\*sp.gr of fuel - 0.835kg/litre  
 Standard operating conditions as per ISO3046 / ISO8528  
 Prime Rating as per ISO8528

# FB180-2



## Dealer Contact Details



### FG Wilson manufactures product in the following locations:

Northern Ireland • Brazil • China • India • USA

With headquarters in Northern Ireland, FG Wilson operates through a Global Dealer Network. To contact your local Sales Office please visit the FG Wilson website at [www.FGWilson.com](http://www.FGWilson.com).

FG Wilson is a trading name of Caterpillar (NI) Limited.

In line with our policy of continuous product development, we reserve the right to change specification without notice.