



# H SERIES SMALL WHEEL LOADER PARTS REFERENCE GUIDE

**BUILT FOR IT.™**



# PROTECT YOUR INVESTMENT WITH GENUINE CAT® PARTS


Thank you for selecting the Cat® H Series Small Wheel Loader.

This guide is designed to provide you with a quick reference for the parts and part numbers you need to keep your Cat Small Wheel Loader running at peak efficiency.

## MAINTENANCE

Proactive preventative maintenance extends the life of your machine and protects your investment. Only Caterpillar knows Cat equipment's filtration and lubrication requirements and offers parts kits to match your machine's maintenance cycles.

### SCHEDULED MAINTENANCE PARTS

	<b>GREASES</b>
	<b>PLANNED MAINTENANCE KITS</b>

## REPLACEMENT PARTS

Proper maintenance minimizes the need for repair and replacement. In the event that replacement parts are required, the use of genuine Cat parts helps maximize machine performance and maintains high resale value.

### WEAR PARTS

	<b>COMMON GROUND ENGAGING TOOLS</b>
--	-------------------------------------


### MINOR REPAIR PARTS

	<b>MIRRORS AND LIGHTS</b>
--	---------------------------

### CAB GLASS AND ACCESSORIES

	<b>CAB GLASS AND ACCESSORIES</b>
--	----------------------------------

### OCCASIONAL REPAIR PARTS

	<b>BATTERIES</b>
	<b>ENGINE PARTS</b>
	<b>QUICK DISCONNECTS</b>

## GREASES H Series

Previous Cat Product Name	STANDARD MAINTENANCE GREASES			GREASES FOR UNIQUE APPLICATIONS AND ENVIRONMENTS			
	Cat Ultra5 Moly #1	Cat Ultra5 Moly #2	Cat Advanced 3 Moly	Cat Arctic Platinum	Cat Desert Gold	Cat Multipurpose	Hammer Paste
Current Cat Product Name	Cat Extreme Application Grease 1	Cat Extreme Application Grease 2	Cat Prime Application Grease	Cat Extreme Application Grease - Arctic	Cat Extreme Application Grease - Desert	Cat Utility Grease	
<b>Grade (NLGI)</b>	1	2	2	0	2	2	2
<b>Melting point (deg C)</b>	260	260	260	230	280	260	230
<b>Ambient Temperature (deg C)</b>	-35 to +40	-30 to +50	-20 to +40	-35 to +40	-30 to +50	-30 to +40	-20 to +1100
<b>Base Oil Type</b>	Mineral	Mineral	Mineral	Semi-Synthetic	Mineral	Mineral	Mineral
<b>Color</b>	Dark Gray	Dark Gray	Dark Gray	Dark Gray	Dark Gray	Blue	Bronze
<b>Cartridge (390 g / 14 oz)</b>	452-5996	452-6001	452-6006	452-7459	452-6016	452-6011	130-6951
<b>Plastic Pail (5 kg / 11 lb)</b>	-	-	-	-	-	-	133-8807
<b>Plastic Pail (16 kg / 35 lb)</b>	452-5999	452-6004	452-6009	452-6020	452-6019	452-6014	-
<b>Keg (55 kg / 120 lb)</b>	452-5998	452-6003	452-6008	452-7461	452-6018	452-6013	-
<b>Drum (180 kg / 400 lb)</b>	452-5997	452-6002	452-6007	452-7460	452-6017	452-6012	-



# PLANNED MAINTENANCE KITS

Small Wheel Loader		Every 500 Hours						Every 1,000 Hours						
		Engine Oil/Filter Change		Engine Crankcase	Lubricate Machine	Fuel Filter Change		Transmission Oil Filter		Hydraulic Filter	Engine Air Filter		Cabin Air Filter	
Sales Model	Serial Number	Filter Element	Oil Qty (L) DEO-ULS™	Breather Element	Adv 3 Moly Grease	Primary Element	Secondary Element	Filter Element	Oil Qty (L)	Filter Element	Primary Element	Secondary Element	Fresh Air Element	Recirculating Element
924H	HXC, JZZ	462-1171	16	273-5711	5P-0960	326-1644	299-8229	341-6643	23	126-1818	222-9020	222-9021	111-8738	180-7487
928H	CXK	462-1171	16	273-5711	5P-0960	326-1644	299-8229	341-6643	34	126-1818	222-9020	222-9021	111-8738	180-7487
930H	DHC	462-1171	16	273-5711	5P-0960	326-1644	299-8229	341-6643	34.5	126-1818	222-9020	222-9021	111-8738	180-7487
938H	MJC, MCC, JNJ, LKM	462-1171	17.4	273-5711	5P-0960	326-1644	299-8229	341-6643	43	144-0832	256-7902	256-7903	111-8738	180-7487

Small Wheel Loader		Every 2,000 Hours						Every 3,000 Hours		
		Hydraulic Tank	Axle Oil Cooler Screen	Front Differential Oil Change		Rear Differential Oil Change		Refrigerant Dryer	Hydraulic Oil/ Filter Change	
Sales Model	Serial Number	Breather	Screen	Oil Qty (L) TDTO	Additive	Oil Qty (L) TDTO	Additive	Accumulator	Filter Element	Oil Qty (L)
924H	HXC, JZZ	258-2829	299-5499	21.5	1U9891	21.5	1U9891	257-3226	126-1818	70
928H	CXK	258-2829	299-5499	21.5	1U9891	21.5	1U9891	257-3226	126-1818	70
930H	DHC	258-2829	299-5499	26.5	1U9891	25.5	1U9891	257-3226	126-1818	70
938H	MJC, MCC, JNJ, LKM	258-2829	N/A	57	1U9891	53	1U9891	186-6190	144-0832	89



Each planned maintenance cycle contains all parts in the cycle before it. 3,000-hour cycle contains parts from 2,000-hour, 1,000-hour and 500-hour cycles.

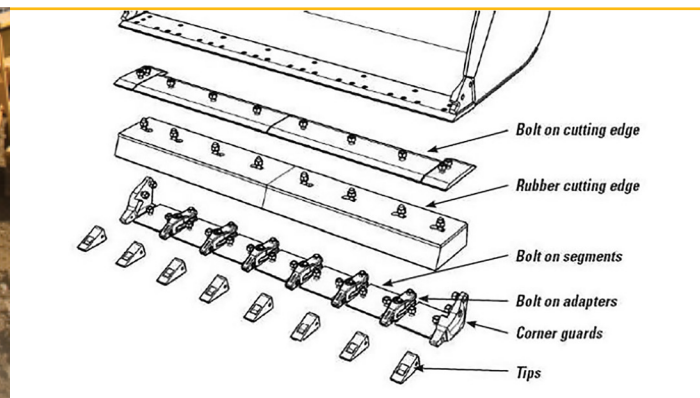


## COMMON GROUND ENGAGING TOOLS H Series

Tips	J250	Tips	J250
General Duty (Long)	1U-3252	Adapter (RH)	6I-9251
Penetration	9J-4259	Bolts (8 x 3 inch)	4F-4042 (QTY 2)
Heavy Abrasion	9N-4253	Bolts (8 x 3.25 inch)	4J-9058 (QTY 2)
Heavy Duty	9N-4252	Bolts (8 x 3.75 inch)	8J-2928 (QTY 12)
Wide	208-5254	Nuts (Full)	2J-3507 (QTY 4)
Sharp Corner	9W-8258	Nuts	8J-2933 (QTY 12)
Sharp Center	9W-8259	Set of 8 Bolt-On Adapters (Includes Hardware)	116-9713
Twin Sharp	135-8258	Set of 8 Long Tips (Does Not Include Hardware)	9W-8142
Short	1U-3251	Set of 8 Short Tips (Does Not Include Hardware)	9W-8143
Pin	132-4763	Corner Guard (RH)*	253-0060
Retainer	149-5733	Corner Guard (LH)*	253-0061
Adapter CTR	1U-0257 (QTY 6)	Bolt	4F-4042
Adapter LH	6I-9250	Nut	2J-3507

\*Not for Light Material Buckets

Cutting Edges	Bucket Width		
	2550 mm	2750 mm	3060 mm
<b>Standard 4-Piece Cutting Edge</b>			
Standard	8E-4567 (QTY 2)	110-4711 (QTY 2)	1U-0593 (QTY 2)
End	4T-8091 (QTY 2)	4T-8092 (QTY 2)	3G-6395 (QTY 2)
4-Piece Bolt-On Edge (Includes Standard and End Edges)	8E-4566	345-2758	371-2342
<b>Standard 3-Piece Cutting Edge</b>			
Standard	472-1465	472-1468	472-1471
<b>Segmented Cutting Edge (For Use with Adapters and Tips)</b>			
Segmented	8E-4569 (QTY 7)	4T-6695 (QTY 7)	–
<b>Abrasion Resistant Material (For Use in Abrasive Materials)</b>			
ARM (RH)	135-6728	123-9195	123-0336
ARM (LH)	135-6729	123-9196	123-0337
ARM (RH End)	9W-3481	9W-3481	9W-3477
ARM (LH End)	9W-3482	9W-3482	9W-3478
<b>Hardware (For Use with All Cutting Edges)</b>			
Bolts	1J-5607 (QTY 10, 14 for Segmented)	1J-5607 (QTY 10, 14 for Segmented)	5P-8823 (QTY 12)
Nuts	2J-3507 (QTY 10, 14 for Segmented)	2J-3507 (QTY 10, 14 for Segmented)	3K-9770 (QTY 12)
<b>Rubber Edge</b>			
2-Piece Bolt-On Rubber Edge	251-5418	444-1522	398-6760



## MIRRORS AND LIGHTS H Series


Mirrors	Model	
	924H, 928H, 930H	938H
Exterior Mirror	185-3874	–
Exterior Mirror (Heated)	–	200-1173
Exterior Mirror (Type 1)	–	4I-8135
Exterior Mirror (Type 2)	–	150-6582
Interior Mirror	275-5588	

Lights	Part Number	Quantity
Lamp 12V (Dome)	259-1286	1
Dome Light Assembly (Standard)	107-6032	1
Rear Bezel Light (Complete)	415-1086	2
Rear Bezel (Lamp Only)	9X-4493	2
Rear Bezel (Lamp Only)	9X-4492	2
Flood Lamp Front and Rear (Complete)	109-7041	4
Flood Lamp Front and Rear (Lamp only)	351-9918	4
Flood Lamp Cab Front Auxiliary (Complete)	219-6487	2
Flood Lamp Cab Front Auxiliary (Lamp only)	351-9918	2
Flood Lamp Cab HID Front (Complete)	388-6291	2
Flood Lamp Cab HID Front (Lamp only)	290-8160	2
Head Lamp Right (Complete)	302-0412	1
Head Lamp Left (Complete)	302-0413	1
Head Lamp Component (High/Low Beam Lamp only)	9X-3465	1
Head Lamp Component (Flood Lamp only)	130-3515	1
Head Lamp Component (Turn Signal Lamp only)	242-0588	1
Head Lamp Component (Headlight Lense only)	228-6050	1
Head Lamp Component (Turn Signal left/right Lense only)	228-6052	1

## CAB GLASS AND ACCESSORIES H Series

Description	924H, 928H, 930H	938H
Windshield (Center)	107-6145	
Windshield (RH)	111-0177	
Windshield (LH)	107-6144	
Glass LH (Side Rear)	107-6146	
Glass RH (Side Rear)	111-0178	
Glass (Rear)	161-8042	107-6147
LH and RH Door Glass (Fixed Window type)	162-2189	–
LH Sliding Door Glass (Lower)	187-5125	
LH Sliding Door Glass (Upper)	187-5124	
RH Sliding Door Glass (Lower)	187-5125	
RH Sliding Door Glass (Upper)	187-5124	
Wiper Blade (Front)	6V-7419	
Wiper Blade (Rear)	6V-6543	5C-8811

## BATTERIES H Series

Description	924H, 928H, 930H	938H	
Standard (QTY 2)	115-2422	263-9574	

## ENGINE PARTS H Series

Description	924H, 928H, 930H	938H
Engine Belt*	288-4641	243-2143
Alternator Assembly (95 Amp)	197-8820	–
Alternator Assembly (150 Amp)	249-0313	–
Alternator Assembly (65 Amp)	–	228-9655
Alternator Assembly (80 Amp)	–	235-7133
Fuel Injector Assembly (QTY 6)	321-3600	320-0690
Fuel Injection Pump Assembly	317-8021	368-9171
Water Pump Assembly with Gasket	485-4895	
Starter Motor	300-6868	288-6976
Turbocharger Group	315-9810	316-0413
Thermostat – Engine Coolant	367-1817	417-7782
Thermostat Gasket	281-8744	281-8744
Thermostat Seal	367-8509	–
Thermostat Plug	367-8512	–

\*924H, 928H, 930H models with A/C

## QUICK DISCONNECTS H Series

Description	Part Number
Quick Disconnect Coupling – Male*	241-6189
Quick Disconnect Coupling – Female*	241-6190

\*Not available for the 938H

# BUILT FOR IT.™

