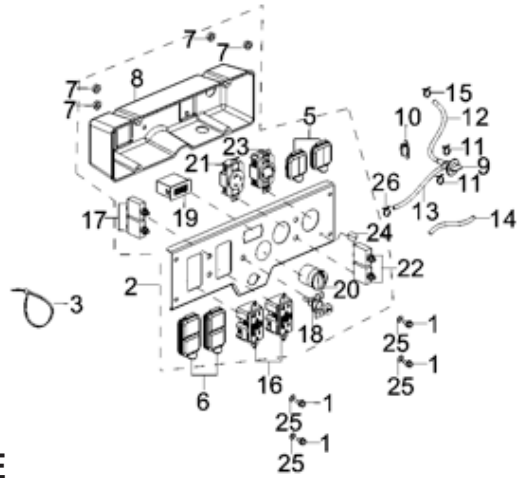


Control Panel Assembly



RP6500E / RP7500E



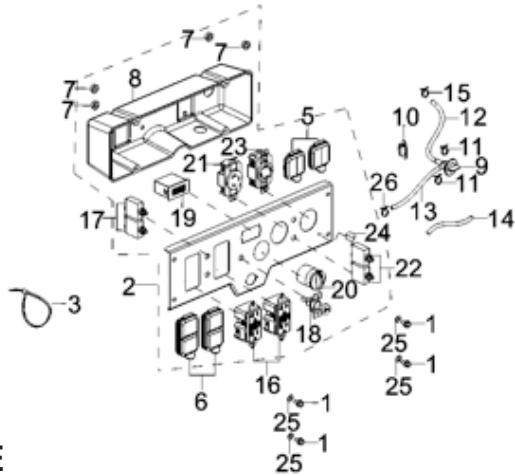
RP7500E

REF. NO.	DESCRIPTION	Part QTY	Part UPC	CAT Individual Part No.	MSRP Part Price	Part Dim (mm)				Group QTY	Group UPC	CAT Group Part No.	Group Name	MSRP Group Price	MODEL	Group Dim(mm)			
						Length	Width	Height	Weight(g)							Length	Width	Height	Weight(g)
1	BOLT	4								1	815683022115	512-8319	PANEL GP-CONT -B	\$209.88	RP6500E/7500E	450	140	150	2000.6
2	PANEL SUBASSEMBLY, CONTROL	1							RP7500E										
25	WASHER	4							RP6500E/7500E										
26	CLAMP	1							RP6500E/7500E										
9	FUEL VALVE	1	815683021569	511-7283	\$3.95	57	33	57	8.2	1	815683022122	512-8320	VALVE GP-FUEL	\$15.44	RP5500/ RP6500E/7500E	60	33	15	54.8
10	FUEL VALVE BASEMENT	1							RP6500E/7500E										
11	CLAMP	4							RP6500E/7500E										
12	TUBE, FUEL	1							RP6500E/7500E										
13	TUBE, FUEL	1							RP6500E/7500E										
14	JACKET, RUBBER	1							RP6500E/7500E										
15	CLAMP	1							RP6500E/7500E										
25	CLAMP	1							RP5500										
5	RAIN COVER	2	815683021576	511-8897	\$6.68	65	50	15	26.4					RP6500E/7500E	65	50	15	26.4	
6	RAIN COVER, DUPLEX	2	815683021583	511-8898	\$6.92	95	47	20	40.8					RP5500/ RP6500E/7500E	95	47	20	40.8	
16	SOCKET SUBASSEMBLY, POWER SUPPLY	2	815683021590	511-8058	\$15.72	95	51	51	90					RP3600/RP5500/ RP6500E/7500E					

Control Panel Assembly



RP6500E / RP7500E



RP7500E

REF. NO.	DESCRIPTION	Part QTY	Part UPC	CAT Individual Part No.	MSRP Part Price	Part Dim (mm)				Group QTY	Group UPC	CAT Group Part No.	Group Name	MSRP Group Price	MODEL	Group Dim(mm)			
						Length	Width	Height	Weight(g)							Length	Width	Height	Weight(g)
17	PROTECTOR, OVERCURRENT	2	815683021606	511-8047	\$10.72	115	60	90	90						RP3600/RP5500/RP6500E/7500E				
18	CHOKE CABLE	1	815683021613	511-8036	\$7.25	280	26	26	368.5						RP3600/RP5500/RP6500E/7500E				
19	DISPLAY	1	815683021620	511-8060	\$19.93	65	78	35	158						RP3600/RP5500/RP6500E/7500E				
20	SWITCH SUBASSEMBLY	1	815683021637	511-8054	\$8.35	109	38	30	160						RP6500E/7500E				
21	SOCKET SUBASSEMBLY, POWER SUPPLY	1	815683021644	511-8057	\$7.86	95	51	51	90						RP6500E/7500E				
22	PROTECTOR, OVERCURRENT	2	815683021651	501-5091	\$11.26	115	40	90	90						RP7500E				
23	SOCKET SUBASSEMBLY, POWER SUPPLY	1	815683021668	511-8056	\$7.59	105	60	70	105						RP6500E/7500E				
24	LED LIGHT	1	815683021675	501-5092	\$25.63	57	33	57	75						RP6500E/7500E				

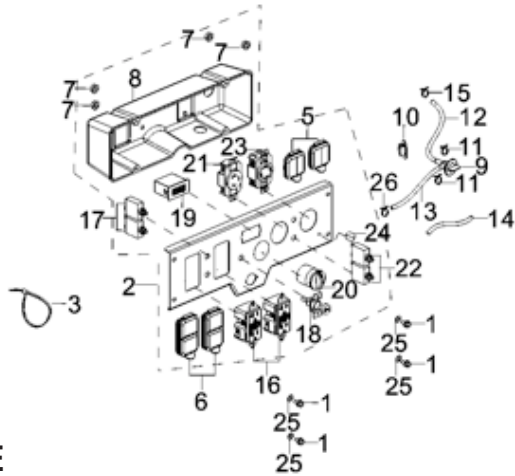
RP7500E CSA

REF. NO.	DESCRIPTION	Part QTY	Part UPC	CAT Individual Part No.	MSRP Part Price	Part Dim (mm)				Group QTY	Group UPC	CAT Group Part No.	Group Name	MSRP Group Price	MODEL	Group Dim(mm)			
						Length	Width	Height	Weight(g)							Length	Width	Height	Weight(g)
2	PANEL SUBASSEMBLY, CONTROL	1	815683022344	501-5110	\$219.63	450	140	150	1958										
22	CIRCUIT BREAKER, TWO-POLE	1	815683022351	501-5111	\$28.32	109	38	30	160										

Control Panel Assembly



RP6500E / RP7500E



RP6500E

REF. NO.	DESCRIPTION	Part QTY	Part UPC	CAT Individual Part No.	MSRP Part Price	Part Dim (mm)				Group QTY	Group UPC	CAT Group Part No.	Group Name	MSRP Group Price	MODEL	Group Dim(mm)			
						Length	Width	Height	Weight(g)							Length	Width	Height	Weight(g)
1	BOLT	4								1	815683022139	512-8321	PANEL GP-CONT -B	\$201.46	RP6500E	450	140	150	2000.6
2	PANEL SUBASSEMBLY, CONTROL	1																	
25	WASHER	4																	
26	CLAMP	1																	
22	PROTECTOR, OVERCURRENT	2	815683021682	511-8050	\$10.32	115	40	90	90						RP6500E				
24	LED LIGHT	1	815683021262	501-5081	\$22.56	57	33	57	75						RP6500E				

RP6500E CSA

REF. NO.	DESCRIPTION	Part QTY	Part UPC	CAT Individual Part No.	MSRP Part Price	Part Dim (mm)				Group QTY	Group UPC	CAT Group Part No.	Group Name	MSRP Group Price	MODEL	Group Dim(mm)			
						Length	Width	Height	Weight(g)							Length	Width	Height	Weight(g)
2	RP6500E CSA CONTROL PANEL		815683021026	501-5154	\$209.88	450	140	150	1958										
22	30A BREAKER CSA		815683022252	501-5155	\$21.32	109	38	30	160										