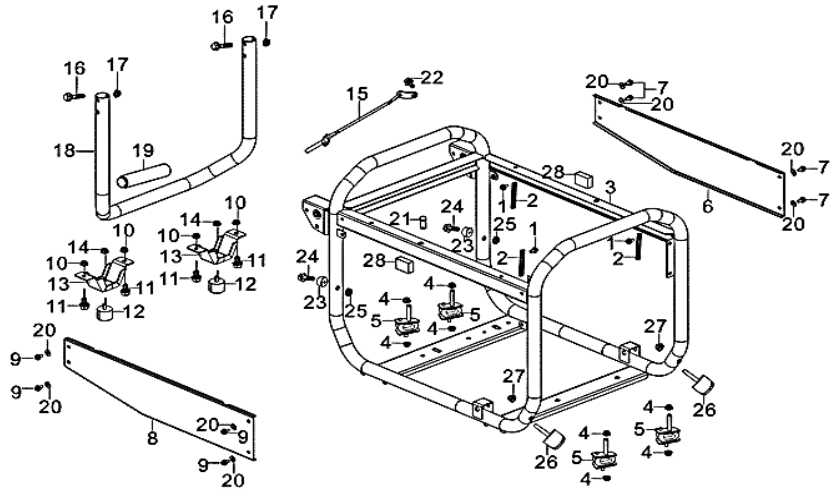


Frame Assembly



RP3600

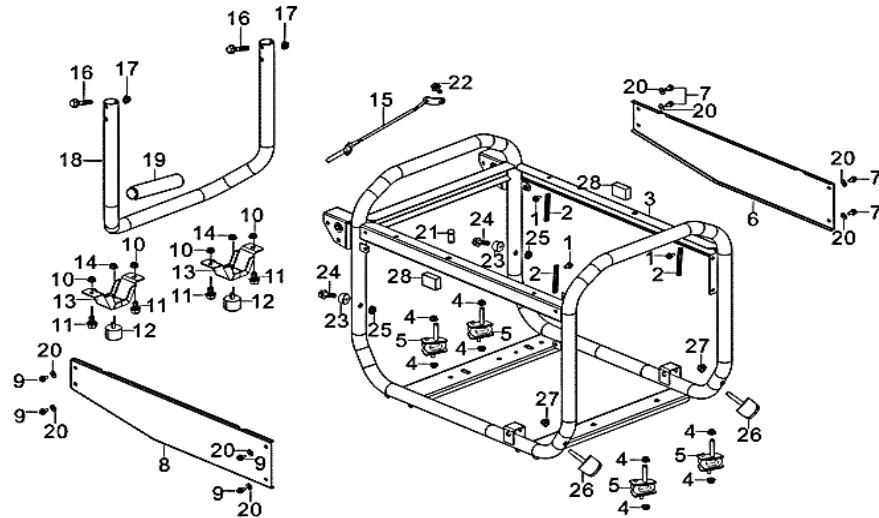


REF. NO.	DESCRIPTION	Part QTY	Part UPC	CAT Individual Part No.	MSRP Part Price	Part Dim (mm)				Group QTY	Group UPC	CAT Group Part No.	Group Name	MSRP Group Price	MODEL	Group Dim (mm)			
						Length	Width	Height	Weight(g)							Length	Width	Height	Weight(g)
1	BOLT	2								1	815683020661	512-8248	FRAME GP	\$82.96	RP3600	665	445	520	6000
2	CLIP	2																	
3	FRAME ASSY	1																	
21	PROTECT RUBBER	1																	
22	BOLT	2																	
23	ISOLATOR	2																	
24	HEX BOLT	2																	
25	NYLON NUT	2																	
26	RUBBER CUSHION	2																	
27	CAP NUT	2																	
28	SOUND ABSORBING COTTON	2																	
4	NUT	8							1	815683020678	512-8249	ISOLATOR GP	\$14.35	RP3600	77	37	45	326.6	
5	ISOLATER, FRAME	4																	
6	RIGHT SIDE PANEL	1							1	815683020685	512-8250	COVER GP-RH	\$20.52	RP3600	542	113	19	901.8	
7	BOLT	4																	
20	WASHER	8																	

Frame Assembly



RP3600



REF. NO.	DESCRIPTION	Part QTY	Part UPC	CAT Individual Part No.	MSRP Part Price	Part Dim (mm)				Group QTY	Group UPC	CAT Group Part No.	Group Name	MSRP Group Price	MODEL	Group Dim (mm)			
						Length	Width	Height	Weight(g)							Length	Width	Height	Weight(g)
8	LEFT SIDE PANEL	1																	
9	BOLT	4								1	815683020692	512-8251	COVER GP-LH	\$20.52	RP3600	542	113	19	901.8
20	WASHER	8																	
10	NUT	4																	
11	BOLT	4																	
12	FOOT, FRAME SUPPORT BRACKET	2								1	815683020708	512-8252	SUPPORT GP-FRAME	\$15.70	RP3600	155	92	53	802.4
13	SUPPORT BRACKET, FRAME	2																	
14	NUT	2																	
15	LOCK PIN	1																	
16	BOLT	2																	
17	NUT	2								1	815683020715	512-8253	HANDLE GROUP	\$20.06	RP3600	455	455	375	1108.1
18	HANDLE	1																	
19	FOAM,HANDLE	1																	

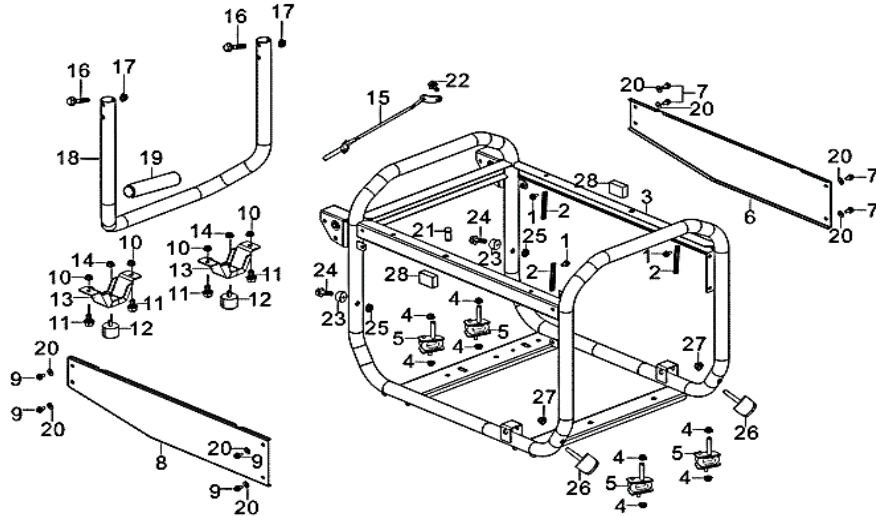
© 2016 Caterpillar. All Rights Reserved.

CAT, CATERPILLAR, their respective logos, "Caterpillar Yellow," the "Power Edge" trade dress, as well as corporate and product identity used herein, are trademarks of Caterpillar and may not be used without permission.

Frame Assembly



RP3600 CARB



REF. NO.	DESCRIPTION	Part QTY	Part UPC	CAT Individual Part No.	MSRP Part Price	Part Dim (mm)				Group QTY	Group UPC	CAT Group Part No.	Group Name	MSRP Group Price	MODEL	Group Dim (mm)			
						Length	Width	Height	Weight(g)							Length	Width	Height	Weight(g)
1	BOLT	2								1	815683020890	512-8261	FRAME GP	\$89.93	RP3600 / RP5500	665	445	520	6000
2	CLIP	2							RP3600 / RP5500										
3	FRAME ASSY	1							RP3600										
21	PROTECT RUBBER	1							RP3600 / RP5500										
22	BOLT	2							RP3600 / RP5500										
23	ISOLATOR	2							RP3600 / RP5500										
24	HEX BOLT	2							RP3600										
25	NYLON NUT	2							RP3600 / RP5500										
26	RUBBER CUSHION	2							RP3600										
27	CAP NUT	2							RP3600 / RP5500										
28	SOUND ABSORBING COTTON	2							RP3600 / RP5500										