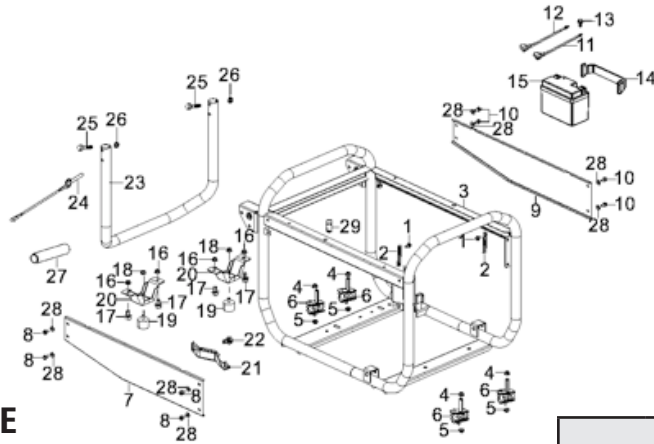


Frame Assembly



RP6500E / RP7500E



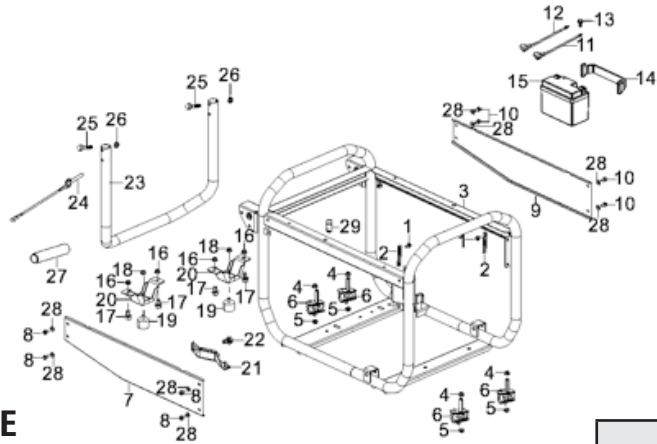
RP7500E

REF. NO.	DESCRIPTION	Part QTY	Part UPC	CAT Individual Part No.	MSRP Part Price	Part Dim (mm)				Group QTY	Group UPC	CAT Group Part No.	Group Name	MSRP Group Price	MODEL	Group Dim (mm)			
						Length	Width	Height	Weight(g)							Length	Width	Height	Weight(g)
1	BOLT	2								1	815683022023	512-8310	FRAME GP	\$131.22	RP7500E	780	530	580	8484.8
2	CLIP	2																	
3	FRAME ASSY	1																	
29	PROTECT RUBBER	1																	
30	NYLON NUT	2																	
31	ISOLATOR	2																	
32	HEX BOLT	2																	
33	RUBBER CUSHION	2																	
34	CAP NUT	2																	
35	SOUND ABSORBING COTTON	2																	
4	NUT	4							1	815683022047	512-8311	ISOLATOR GP	\$8.94	RP5500/ RP6500E/7500E	86	80	66	159.6	
5	NUT	4																	
6	ISOLATER, FRAME	4																	
7	LEFT SIDE PANEL	1							1	815683022054	512-8312	COVER GP-LH	\$30.11	RP5500/ RP6500E/7500E	650	120	20	1033	
8	BOLT	4																	
28	WASHER	8																	

Frame Assembly



RP6500E / RP7500E



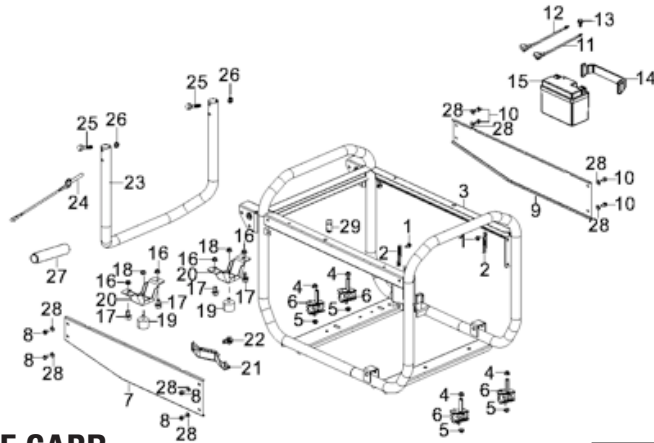
RP7500E

REF. NO.	DESCRIPTION	Part QTY	Part UPC	CAT Individual Part No.	MSRP Part Price	Part Dim (mm)				Group QTY	Group UPC	CAT Group Part No.	Group Name	MSRP Group Price	MODEL	Group Dim(mm)				
						Length	Width	Height	Weight(g)							Length	Width	Height	Weight(g)	
11	WIRE, POSITIVE	1								1	815683022078	512-8314	BATTERY GP-MTG&	\$97.29	RP6500E/7500E	150	90	90	696	
12	WIRE, NEGATIVE	1																		
13	BOLT	1																		
14	BATTERY PRESSURE PLATE	1	815683021545	501-5090	\$5.26	150	85	32	189											
15	BATTERY	1	815683021552	511-7304	\$85.04	105	54	85	412											
37	BOLT	2																		
16	NUT	4								1	815683022085	512-8315	SUPPORT GP-FRAME	\$15.92	RP5500/ RP6500E/7500E	1160	60	60	802.4	
17	BOLT	4																		
18	NUT	2																		
19	FOOT, FRAME SUPPORT BRACKET	2																		
20	SUPPORT BRACKET, FRAME	2																		
21	SUPPORT BRACKET, ATR CLEANER	1								1	815683022092	512-8316	SUPPORT GP-ACL	\$8.89	RP6500E/7500E	140	25	35	56.6	
22	BOLT	1																		
23	HANDLE	1								1	815683022108	512-8317	HANDLE GROUP	\$28.32	RP5500/ RP6500E/7500E	440	515	150	1744.7	
24	LOCK PIN	1																		
25	BOLT	2																		
26	NUT	2																		
27	FOAM, HANDLE	1																		
36	BOLT	1																		

Frame Assembly



RP6500E / RP7500E



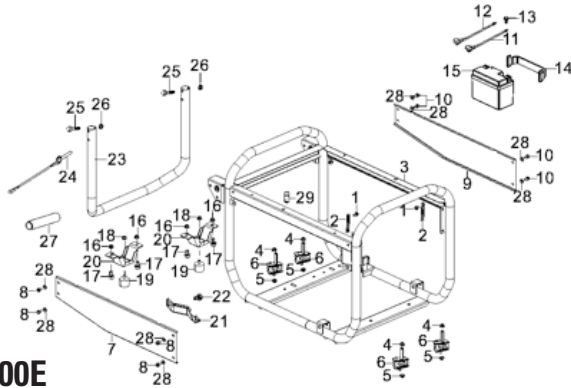
RP7500E CARB

REF. NO.	DESCRIPTION	Part QTY	Part UPC	CAT Individual Part No.	MSRP Part Price	Part Dim (mm)				Group QTY	Group UPC	CAT Group Part No.	Group Name	MSRP Group Price	MODEL	Group Dim (mm)			
						Length	Width	Height	Weight(g)							Length	Width	Height	Weight(g)
1	BOLT	2								1	815683022207	512-8328	FRAME GP	\$135.46	RP7500E	780	530	580	8022.3
2	CLIP	2																	
3	FRAME ASSY	1																	
29	PROTECT RUBBER	1																	
30	NYLON NUT	2																	
31	ISOLATOR	2																	
32	HEX BOLT	2																	
33	RUBBER CUSHION	2																	
34	CAP NUT	2																	
35	SOUND ABSORBING COTTON	2																	

Frame Assembly



RP6500E / RP7500E



RP6500E

REF. NO.	DESCRIPTION	Part QTY	Part UPC	CAT Individual Part No.	MSRP Part Price	Part Dim (mm)				Group Dim (mm)									
						Length	Width	Height	Weight(g)	Group QTY	Group UPC	CAT Group Part No.	Group Name	MSRP Group Price	MODEL	Length	Width	Height	Weight(g)
1	BOLT	2								1	815683022030	512-8318	FRAME GP	\$127.89	RP7500E	780	530	580	8484.8
2	CLIP	2																	
3	FRAME ASSY	1																	
29	PROTECT RUBBER	1																	
30	NYLON NUT	2																	
31	ISOLATOR	2																	
32	HEX BOLT	2																	
33	RUBBER CUSHION	2																	
34	CAP NUT	2																	
35	SOUND ABSORBING COTTON	2																	

RP6500E CARB

REF. NO.	DESCRIPTION	Part QTY	Part UPC	CAT Individual Part No.	MSRP Part Price	Part Dim (mm)				Group Dim (mm)									
						Length	Width	Height	Weight(g)	Group QTY	Group UPC	CAT Group Part No.	Group Name	MSRP Group Price	MODEL	Length	Width	Height	Weight(g)
1	BOLT	2								1	815683022214	512-8329	FRAME GP	\$132.59	RP6500E	780	530	580	8022.3
2	CLIP	2																	
3	FRAME ASSY	1																	
29	PROTECT RUBBER	1																	
30	NYLON NUT	2																	
31	ISOLATOR	2																	
32	HEX BOLT	2																	
33	RUBBER CUSHION	2																	
34	CAP NUT	2																	
35	SOUND ABSORBING COTTON	2																	