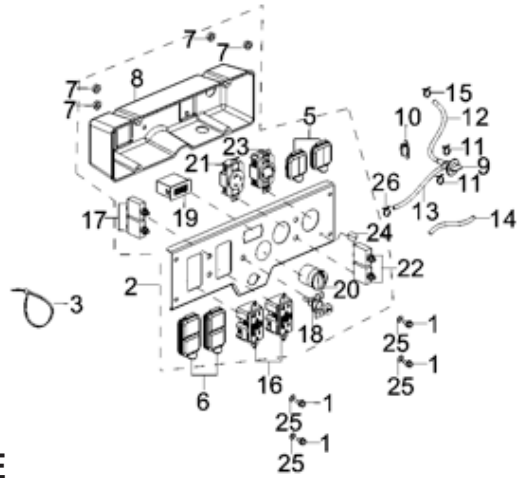


Control Panel Assembly



RP6500E / RP7500E



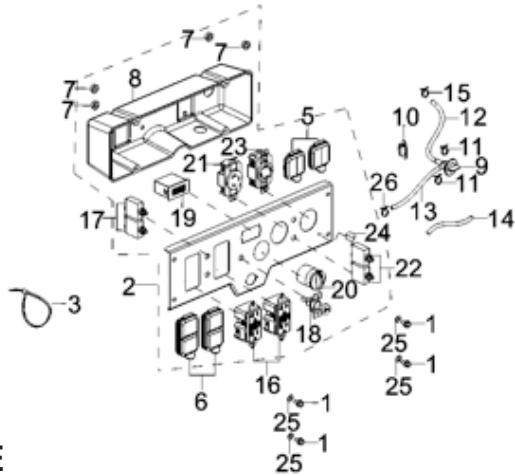
RP7500E

| REF. NO. | DESCRIPTION | Part QTY | Part UPC | CAT Individual Part No. | MSRP Part Price | Part Dim (mm) | | | | Group QTY | Group UPC | CAT Group Part No. | Group Name | MSRP Group Price | MODEL | Group Dim(mm) | | | |
|----------|----------------------------------|----------|--------------|-------------------------|-----------------|---------------|-------|--------|---------------|-----------|--------------|--------------------|------------------|---------------------------------|--------------------------|---------------|-------|--------|-----------|
| | | | | | | Length | Width | Height | Weight(g) | | | | | | | Length | Width | Height | Weight(g) |
| 1 | BOLT | 4 | | | | | | | | 1 | 815683022115 | 512-8319 | PANEL GP-CONT -B | \$209.88 | RP6500E/7500E | 450 | 140 | 150 | 2000.6 |
| 2 | PANEL SUBASSEMBLY, CONTROL | 1 | | | | | | | RP7500E | | | | | | | | | | |
| 25 | WASHER | 4 | | | | | | | RP6500E/7500E | | | | | | | | | | |
| 26 | CLAMP | 1 | | | | | | | RP6500E/7500E | | | | | | | | | | |
| 9 | FUEL VALVE | 1 | 815683021569 | 511-7283 | \$3.95 | 57 | 33 | 57 | 8.2 | 1 | 815683022122 | 512-8320 | VALVE GP-FUEL | \$15.44 | RP5500/ RP6500E/7500E | 60 | 33 | 15 | 54.8 |
| 10 | FUEL VALVE BASEMENT | 1 | | | | | | | RP6500E/7500E | | | | | | | | | | |
| 11 | CLAMP | 4 | | | | | | | RP6500E/7500E | | | | | | | | | | |
| 12 | TUBE, FUEL | 1 | | | | | | | RP6500E/7500E | | | | | | | | | | |
| 13 | TUBE, FUEL | 1 | | | | | | | RP6500E/7500E | | | | | | | | | | |
| 14 | JACKET, RUBBER | 1 | | | | | | | RP6500E/7500E | | | | | | | | | | |
| 15 | CLAMP | 1 | | | | | | | RP6500E/7500E | | | | | | | | | | |
| 25 | CLAMP | 1 | | | | | | | RP5500 | | | | | | | | | | |
| 5 | RAIN COVER | 2 | 815683021576 | 511-8897 | \$6.68 | 65 | 50 | 15 | 26.4 | | | | | RP6500E/7500E | 65 | 50 | 15 | 26.4 | |
| 6 | RAIN COVER, DUPLEX | 2 | 815683021583 | 511-8898 | \$6.92 | 95 | 47 | 20 | 40.8 | | | | | RP5500/ RP6500E/7500E | 95 | 47 | 20 | 40.8 | |
| 16 | SOCKET SUBASSEMBLY, POWER SUPPLY | 2 | 815683021590 | 511-8058 | \$15.72 | 95 | 51 | 51 | 90 | | | | | RP3600/RP5500/ RP6500E/7500E | | | | | |

Control Panel Assembly



RP6500E / RP7500E



RP7500E

| REF. NO. | DESCRIPTION | Part QTY | Part UPC | CAT Individual Part No. | MSRP Part Price | Part Dim (mm) | | | | Group QTY | Group UPC | CAT Group Part No. | Group Name | MSRP Group Price | MODEL | Group Dim(mm) | | | |
|----------|----------------------------------|----------|--------------|-------------------------|-----------------|---------------|-------|--------|-----------|-----------|-----------|--------------------|------------|------------------|-----------------------------|---------------|-------|--------|-----------|
| | | | | | | Length | Width | Height | Weight(g) | | | | | | | Length | Width | Height | Weight(g) |
| 17 | PROTECTOR, OVERCURRENT | 2 | 815683021606 | 511-8047 | \$10.72 | 115 | 60 | 90 | 90 | | | | | | RP3600/RP5500/RP6500E/7500E | | | | |
| 18 | CHOKE CABLE | 1 | 815683021613 | 511-8036 | \$7.25 | 280 | 26 | 26 | 368.5 | | | | | | RP3600/RP5500/RP6500E/7500E | | | | |
| 19 | DISPLAY | 1 | 815683021620 | 511-8060 | \$19.93 | 65 | 78 | 35 | 158 | | | | | | RP3600/RP5500/RP6500E/7500E | | | | |
| 20 | SWITCH SUBASSEMBLY | 1 | 815683021637 | 511-8054 | \$8.35 | 109 | 38 | 30 | 160 | | | | | | RP6500E/7500E | | | | |
| 21 | SOCKET SUBASSEMBLY, POWER SUPPLY | 1 | 815683021644 | 511-8057 | \$7.86 | 95 | 51 | 51 | 90 | | | | | | RP6500E/7500E | | | | |
| 22 | PROTECTOR, OVERCURRENT | 2 | 815683021651 | 501-5091 | \$11.26 | 115 | 40 | 90 | 90 | | | | | | RP7500E | | | | |
| 23 | SOCKET SUBASSEMBLY, POWER SUPPLY | 1 | 815683021668 | 511-8056 | \$7.59 | 105 | 60 | 70 | 105 | | | | | | RP6500E/7500E | | | | |
| 24 | LED LIGHT | 1 | 815683021675 | 501-5092 | \$25.63 | 57 | 33 | 57 | 75 | | | | | | RP6500E/7500E | | | | |

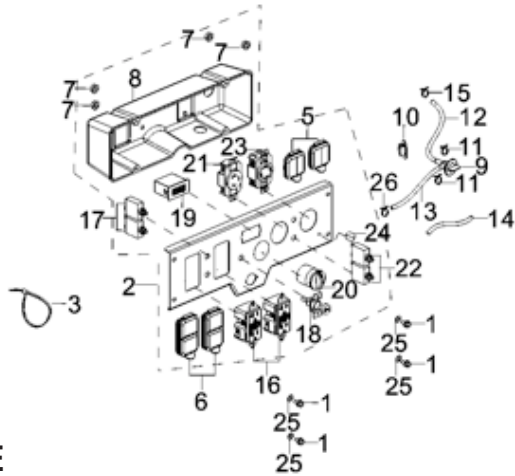
RP7500E CSA

| REF. NO. | DESCRIPTION | Part QTY | Part UPC | CAT Individual Part No. | MSRP Part Price | Part Dim (mm) | | | | Group QTY | Group UPC | CAT Group Part No. | Group Name | MSRP Group Price | MODEL | Group Dim(mm) | | | |
|----------|----------------------------|----------|--------------|-------------------------|-----------------|---------------|-------|--------|-----------|-----------|-----------|--------------------|------------|------------------|-------|---------------|-------|--------|-----------|
| | | | | | | Length | Width | Height | Weight(g) | | | | | | | Length | Width | Height | Weight(g) |
| 2 | PANEL SUBASSEMBLY, CONTROL | 1 | 815683022344 | 501-5110 | \$219.63 | 450 | 140 | 150 | 1958 | | | | | | | | | | |
| 22 | CIRCUIT BREAKER, TWO-POLE | 1 | 815683022351 | 501-5111 | \$28.32 | 109 | 38 | 30 | 160 | | | | | | | | | | |

Control Panel Assembly



RP6500E / RP7500E



RP6500E

| REF. NO. | DESCRIPTION | Part QTY | Part UPC | CAT Individual Part No. | MSRP Part Price | Part Dim (mm) | | | | Group QTY | Group UPC | CAT Group Part No. | Group Name | MSRP Group Price | MODEL | Group Dim(mm) | | | |
|----------|----------------------------|----------|--------------|-------------------------|-----------------|---------------|-------|--------|-----------|-----------|--------------|--------------------|------------------|------------------|---------|---------------|-------|--------|-----------|
| | | | | | | Length | Width | Height | Weight(g) | | | | | | | Length | Width | Height | Weight(g) |
| 1 | BOLT | 4 | | | | | | | | 1 | 815683022139 | 512-8321 | PANEL GP-CONT -B | \$201.46 | RP6500E | 450 | 140 | 150 | 2000.6 |
| 2 | PANEL SUBASSEMBLY, CONTROL | 1 | | | | | | | | | | | | | | | | | |
| 25 | WASHER | 4 | | | | | | | | | | | | | | | | | |
| 26 | CLAMP | 1 | | | | | | | | | | | | | | | | | |
| 22 | PROTECTOR, OVERCURRENT | 2 | 815683021682 | 511-8050 | \$10.32 | 115 | 40 | 90 | 90 | | | | | | RP6500E | | | | |
| 24 | LED LIGHT | 1 | 815683021262 | 501-5081 | \$22.56 | 57 | 33 | 57 | 75 | | | | | | RP6500E | | | | |

RP6500E CSA

| REF. NO. | DESCRIPTION | Part QTY | Part UPC | CAT Individual Part No. | MSRP Part Price | Part Dim (mm) | | | | Group QTY | Group UPC | CAT Group Part No. | Group Name | MSRP Group Price | MODEL | Group Dim(mm) | | | |
|----------|---------------------------|----------|--------------|-------------------------|-----------------|---------------|-------|--------|-----------|-----------|-----------|--------------------|------------|------------------|-------|---------------|-------|--------|-----------|
| | | | | | | Length | Width | Height | Weight(g) | | | | | | | Length | Width | Height | Weight(g) |
| 2 | RP6500E CSA CONTROL PANEL | | 815683021026 | 501-5154 | \$209.88 | 450 | 140 | 150 | 1958 | | | | | | | | | | |
| 22 | 30A BREAKER CSA | | 815683022252 | 501-5155 | \$21.32 | 109 | 38 | 30 | 160 | | | | | | | | | | |