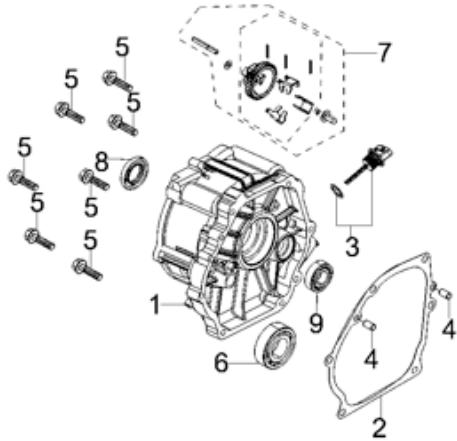


Crankcase Cover



RP6500E / RP7500E



REF. NO.	DESCRIPTION	Part QTY	Part UPC	CAT Individual Part No.	MSRP Part Price	Part Dim (mm)				Group QTY	Group UPC	CAT Group Part No.	Group Name	MSRP Group Price	MODEL	Group Dim (mm)			
						Length	Width	Height	Weight(g)							Length	Width	Height	Weight(g)
1	COVER, CRANKCASE	1								1	815683021835	512-8290	COVER GP-REAR	\$79.88	RP6500E/7500E	300	250	150	1606
2	GASKET, CRANKCASE	1	815683021361	511-7243	\$3.87	270	215	1	4.5										
4	PIN	2																	
5	BOLT	7								1	815683021842	512-8291	BEARING GP -B	\$64.05	RP6500E/7500E	80	80	50	335
6	BEARING, DEEP GROOVE BALL	1																	
8	SEAL, OIL	1																	
9	BEARING, DEEP GROOVE BALL	1								1	815683021378	501-5087	\$2.82	RP5500/ RP6500E/7500E					
3	DIPSTICK SUBASSEMBLY, OIL	1	815683021378	501-5087	\$2.82	86	37	31	20										
7	GEAR ASSY, GOVERNOR	1	815683021385	511-8847	\$22.60	65	60	60	62.8										