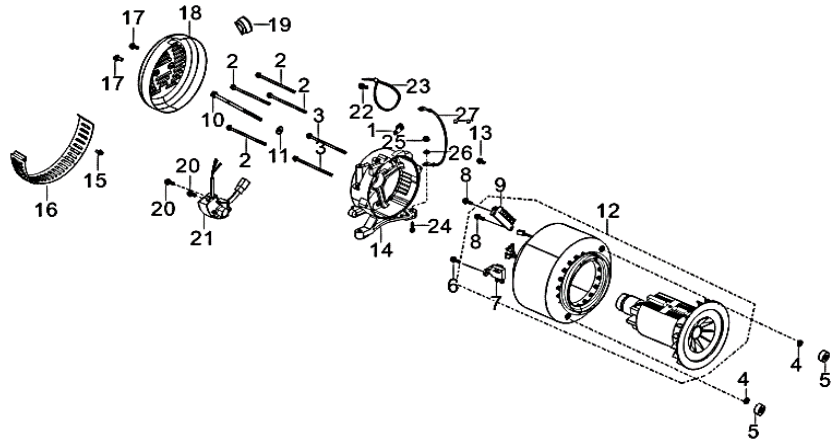


# Generator Assembly



RP5500

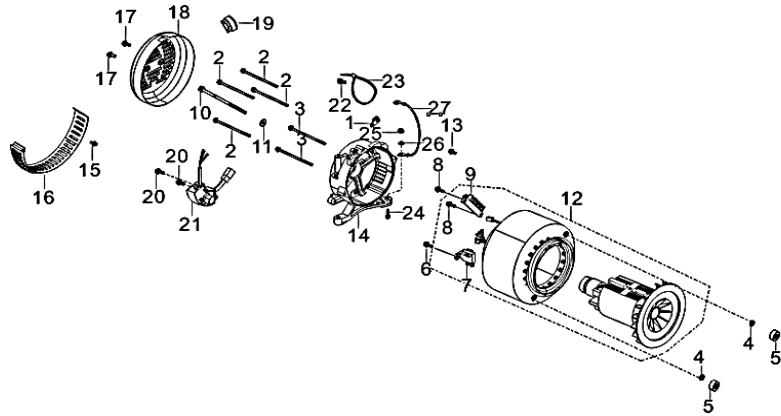


REF. NO.	DESCRIPTION	Part QTY	Part UPC	CAT Individual Part No.	MSRP Part Price	Part Dim (mm)				Group QTY	Group UPC	CAT Group Part No.	Group Name	MSRP Group Price	MODEL	Group Dim (mm)			
						Length	Width	Height	Weight(g)							Length	Width	Height	Weight(g)
20	BOLT	2								1	815683021293	512-8281	REGULATOR GP -H	\$45.42	RP5500	240	62.1	48	250
21	REGULATOR, VOLTAGE	1	815683021279	511-7299	\$44.52	240	62.1	48	249						RP5500				
28	GEN HEAD ASSY (Include F17-1 to 27)	1	815683021286	501-5086	\$201.85	360	240	190	26380.4					\$	RP5500				

# Generator Assembly



## RP5500 CSA



REF. NO.	DESCRIPTION	Part QTY	Part UPC	CAT Individual Part No.	MSRP Part Price	Part Dim (mm)				Group QTY	Group UPC	CAT Group Part No.	Group Name	MSRP Group Price	MODEL	Group Dim (mm)			
						Length	Width	Height	Weight(g)							Length	Width	Height	Weight(g)
12	MOTOR ASSY.	1	815683022283	501-5109	\$80.94	275	190	190	24400	1									