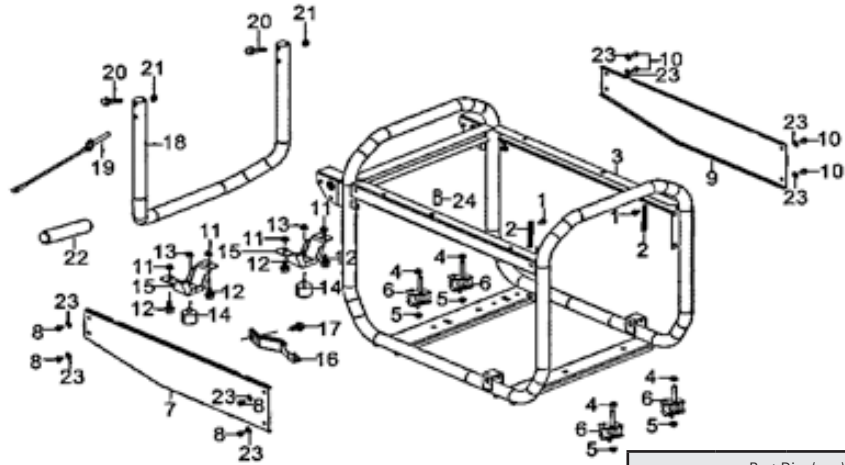


# Frame Assembly



## RP5500

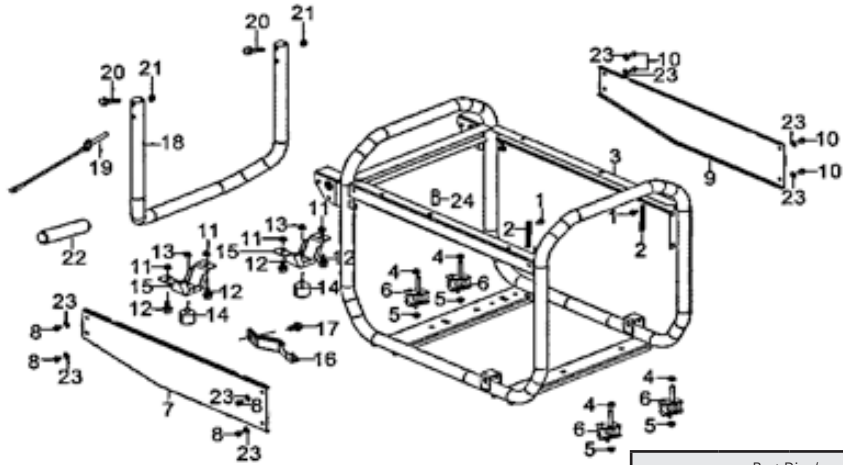


REF. NO.	DESCRIPTION	Part QTY	Part UPC	CAT Individual Part No.	MSRP Part Price	Part Dim (mm)				Group QTY	Group UPC	CAT Group Part No.	Group Name	MSRP Group Price	MODEL	Group Dim (mm)								
						Length	Width	Height	Weight(g)							Length	Width	Height	Weight(g)					
1	BOLT	2								1	815683021231	512-8277	FRAME GP	\$120.42	RP3600/ RP5500	780	530	580	8022.3					
2	CLIP	2																		RP3600/ RP5500				
3	FRAME ASSY	1																		RP5500E				
29	PROTECT RUBBER	1																		RP3600/ RP5500				
30	NYLON NUT	2																		RP3600/ RP5500				
31	ISOLATOR	2																		RP3600/ RP5500				
32	HEX BOLT	2																		RP3600/ RP5500				
33	RUBBER CUSHION	2																		RP3600/ RP5500				
34	CAP NUT	2																		RP3600/ RP5500				
35	SOUND ABSORBING COTTON	2																		RP3600/ RP5500				
16	SUPPORT BRACKET, ATR CLEANER	1													1	815683021248	512-8278	SUPPORT GP-ACL	\$6.76	RP5500	140	21	35	56.6
17	BOLT	1													RP5500									

# Frame Assembly



## RP5500 CARB



REF. NO.	DESCRIPTION	Part QTY	Part UPC	CAT Individual Part No.	MSRP Part Price	Part Dim (mm)				Group QTY	Group UPC	CAT Group Part No.	Group Name	MSRP Group Price	MODEL	Group Dim(mm)			
						Length	Width	Height	Weight(g)							Length	Width	Height	Weight(g)
1	BOLT	2																	
2	CLIP	2																	
3	FRAME ASSY	1																	
29	PROTECT RUBBER	1																	
30	NYLON NUT	2																	
31	ISOLATOR	2								1	815683021316	512-8282	FRAME GP	\$131.41	RP3600/ RP5500	780	530	580	8022.3
32	HEX BOLT	2																	
33	RUBBER CUSHION	2																	
34	CAP NUT	2																	
35	SOUND ABSORBING COTTON	2																	