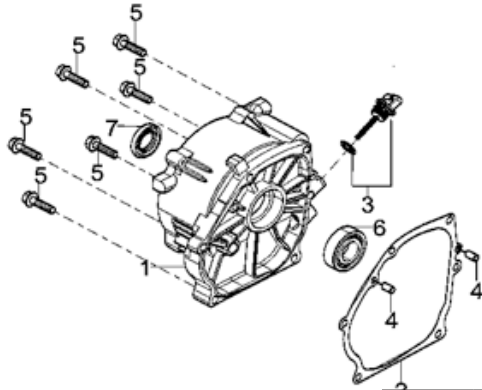


# Crankcase Cover



RP3600



REF. NO.	DESCRIPTION	Part QTY	Part UPC	CAT Individual Part No.	MSRP Part Price	Part Dim (mm)				Group QTY	Group UPC	CAT Group Part No.	Group Name	MSRP Group Price	MODEL	Group Dim (mm)			
						Length	Width	Height	Weight(g)							Length	Width	Height	Weight(g)
1	COVER, CRANKCASE	1								1	815683020371	512-8232	COVER GP-REAR	\$33.85	RP3600	250	250	165	1166.3
2	GASKET, CRANKCASE	1																	
3	DIPSTICK SUBASSEMBLY, OIL	1	815683020340	501-5076	\$1.70	65	30	30	8.2										
4	PIN	2																	
5	BOLT	6																	
6	BEARING DEEP GROOVE BALL	1	815683020357	501-5077	\$10.83	55	55	16	128	1	815683020388	512-8233	BEARING GP-B	\$14.30	RP3600	55	55	23	136.8
7	SEAL, OIL	1	815683020364	511-7314	\$3.47	40	40	7	8.8										