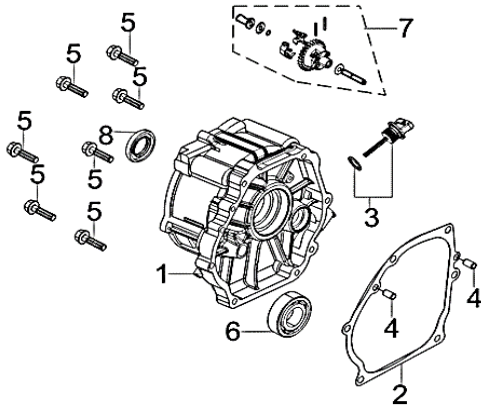


Crankcase Cover



RP5500



REF. NO.	DESCRIPTION	Part QTY	Part UPC	CAT Individual Part No.	MSRP Part Price	Part Dim (mm)				Group QTY	Group UPC	CAT Group Part No.	Group Name	MSRP Group Price	MODEL	Group Dim (mm)			
						Length	Width	Height	Weight(g)							Length	Width	Height	Weight(g)
1	COVER, CRANKCASE	1								1	815683021033	512-8267	COVER GP-REAR	\$47.67	RP5500	285	260	125	1464.1
2	GASKET, CRANKCASE	1	815683021002	511-7245	\$3.08	260	213	0.5	4.6						RP5500				
4	PIN	2													RP5500				
5	BOLT	7													RP5500				
6	BEARING, DEEP GROOVE BALL	1	815683021019	511-8066	\$20.93	62	62	16	196.4	1	815683021040	512-8268	BEARING GP -B	\$25.40	RP5500	62	62	30	212.2
8	SEAL, OIL	1	815683021026	511-7311	\$5.92	46	46	8	15.8						RP5500				