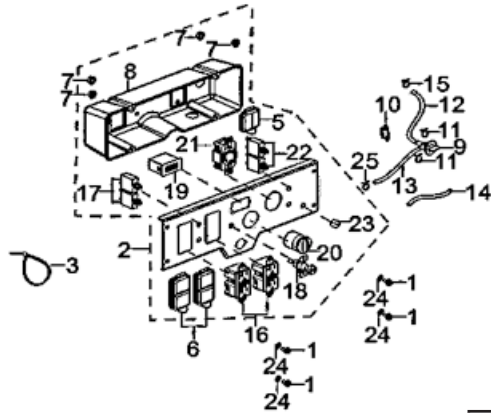


Control Panel Assembly



RP5500

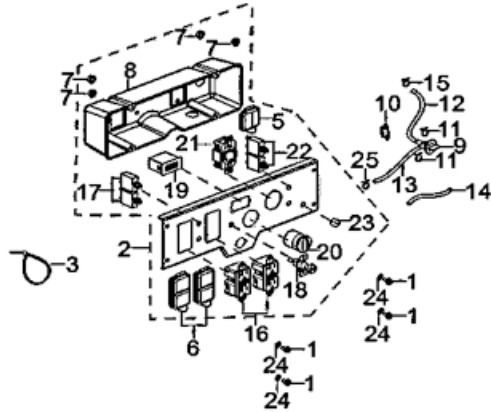


REF. NO.	DESCRIPTION	Part QTY	Part UPC	CAT Individual Part No.	MSRP Part Price	Part Dim (mm)				Group QTY	Group UPC	CAT Group Part No.	Group Name	MSRP Group Price	MODEL	Group Dim (mm)			
						Length	Width	Height	Weight(g)							Length	Width	Height	Weight(g)
1	BOLT	4								1	512-8279	PANEL GP-CONT -B	\$323.83	RP5500	450	140	150	2000.6	
2	PANEL SUBASSEMBLY, CONTROL	1							RP5500										
24	WASHER	4							RP5500										
25	CLAMP	4							RP5500										
20	SWITCH SUBASSEMBLY	1	on 3600 815683020753	511-8053	\$27.14	109	38	30	160					RP5500					
22	PROTECTOR, OVER-CURRENT	2	815683021255	501-5085	\$4.79	115	40	90	90					RP5500					
23	LED LIGHT	1	815683021262	501-5081	\$22.56	57	33	57	75					RP5500					

Control Panel Assembly



RP5500 CSA



REF. NO.	DESCRIPTION	Part QTY	Part UPC	CAT Individual Part No.	MSRP Part Price	Part Dim (mm)				Group QTY	Group UPC	CAT Group Part No.	Group Name	MSRP Group Price	MODEL	Group Dim(mm)				
						Length	Width	Height	Weight(g)							Length	Width	Height	Weight(g)	
2	PANEL SUBASSEMBLY, CONTROL	4	00815683022245	501-5107	\$189.65	450	140	150	1958											
22	20A 2-POLE BREAKER	1	00815683022276	501-5108	\$17.89	109	38	30	160											