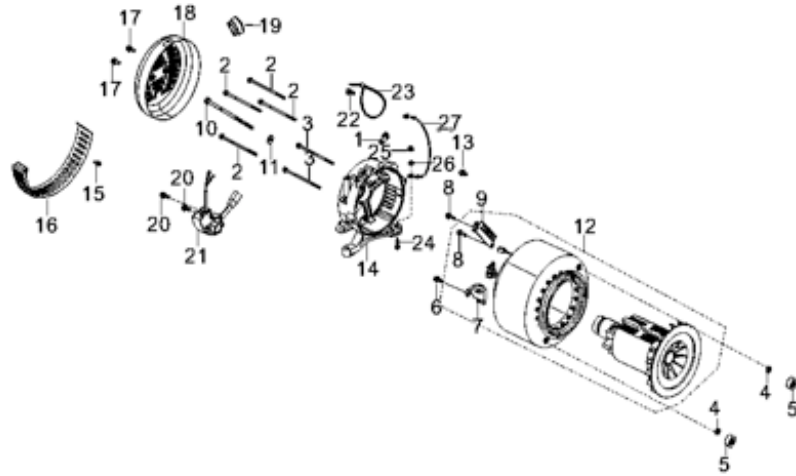


# Generator Assembly



## RP6500E / RP7500E



### RP7500E

REF. NO.	DESCRIPTION	Part QTY	Part UPC	CAT Individual Part No.	MSRP Part Price	Part Dim (mm)				Group QTY	Group UPC	CAT Group Part No.	Group Name	MSRP Group Price	MODEL	Group Dim (mm)			
						Length	Width	Height	Weight(g)							Length	Width	Height	Weight(g)
17	BOLT	2								1	815683022146	512-8322	COVER GP	\$21.09	RP5500/ RP6500E/7500E	190	50	50	302.3
18	COVER, MOTOR TAIL	1							RP5500/ RP6500E/7500E										
19	STOPPER,MOTOR RIGHT COVER	1							RP5500/ RP6500E/7500E										
20	BOLT	2							1	815683022153	512-8323	REGULATOR GP -H	\$50.10	RP6500E/7500E	155	65	55	280.6	
21	REGULATOR, VOLTAGE	1	815683021699	511-7300	\$49.20	155	65	55						256.8					RP6500E/7500E
28	GEN HEAD ASSY(Include F17-1 to 27)	1	815683021705	501-5093	\$320.72	460	230	260	30807.4						RP7500E				

### RP6500E

REF. NO.	DESCRIPTION	Part QTY	Part UPC	CAT Individual Part No.	MSRP Part Price	Part Dim (mm)				Group QTY	Group UPC	CAT Group Part No.	Group Name	MSRP Group Price	MODEL	Group Dim (mm)			
						Length	Width	Height	Weight(g)							Length	Width	Height	Weight(g)
28	GEN HEAD ASSY(Include F17-1 to 27)	1	815683021712	501-5094	\$298.36	460	230	260	30807.4						RP6500E				