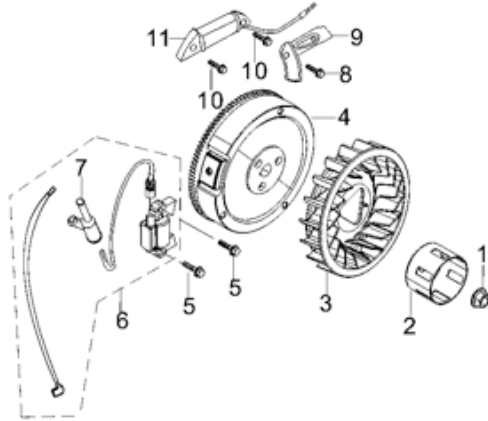


Flywheel Assembly



RP6500E / RP7500E



REF. NO.	DESCRIPTION	Part QTY	Part UPC	CAT Individual Part No.	MSRP Part Price	Part Dim (mm)				Group QTY	Group UPC	CAT Group Part No.	Group Name	MSRP Group Price	MODEL	Group Dim (mm)			
						Length	Width	Height	Weight(g)							Length	Width	Height	Weight(g)
5	BOLT	2								1	815683021989	512-8305	COIL GP-IGNITION	\$43.83	RP6500E/7500E	200	50	65.5	281.6
6	COIL, IGNITION	1																	
7	CAP, SPARK PLUG	1																	
1	NUT, FLYWHEEL	1								1	815683021996	512-8306	FLYWHEEL GP	\$165.30	RP6500E/7500E	220	220	191.8	6447.8
2	CUP, STARTER	1																	
3	IMPELLER	1																	
4	FLYWHEEL SUBASSEMBLY	1																	
8	BOLT	1								1	815683022009	512-8307	CHARGER GP-BTRY	\$30.80	RP6500E/7500E	130	50	60	191.8
9	CLAMP, CHARGE COIL	1																	
10	BOLT	2																	
11	COIL SUBASSEMBLY, CHARGE	1																	