

Performance
DURABILITY ◀
Reliability

PG115 ◀

Powershift Transmission

SPECIFICATIONS

FEATURES

- Industry leading durability and reliability
- Refined and matured design
- Precision helical gearing for greater noise reduction
- Easy shifting between gears for increased productivity
- Compact layout to enable easy installation
- Many options to suit specific applications

DESIGN BENEFITS

- 6 speeds forward, and 3 reverse speeds
- Smooth shifting to reduce operator fatigue
- Directional changes without braking
- Electronic controller supplied complete with:
 - Illegal shift and start inhibits
 - 'Kick down' and hold to lower gear
- Engage on the move AWD for convenience and improved braking
- Co-axial pump allows easy auxiliary pump installation
- Flexible gear ratios to optimise performance

PG115 Specifications

RATINGS

Rated Input Power	130 hp / 95 kW
Rated Input Torque	600 lbf.ft/ 800 Nm
Rated Input Speed	2,400 rpm
Maximum Input Speed	2,600 rpm
Minimum Input Speed	600 rpm

All Ratings Subject to Duty Cycle and Application Approval.

POWER TAKE OFF (PUMP AUXILIARY DRIVE)

Mounting	SAE "C" 2 Bolt Drive on Rear of Transmission
----------	--

Rated Power	80 hp / 60 kW
-------------	---------------

CLUTCHES

Clutches	Electro-Hydraulic, Oil-Cooled, Multidisc
----------	--

Clutch Modulation Control	Hydromechanical Modulation Valve
---------------------------	----------------------------------

GEARS

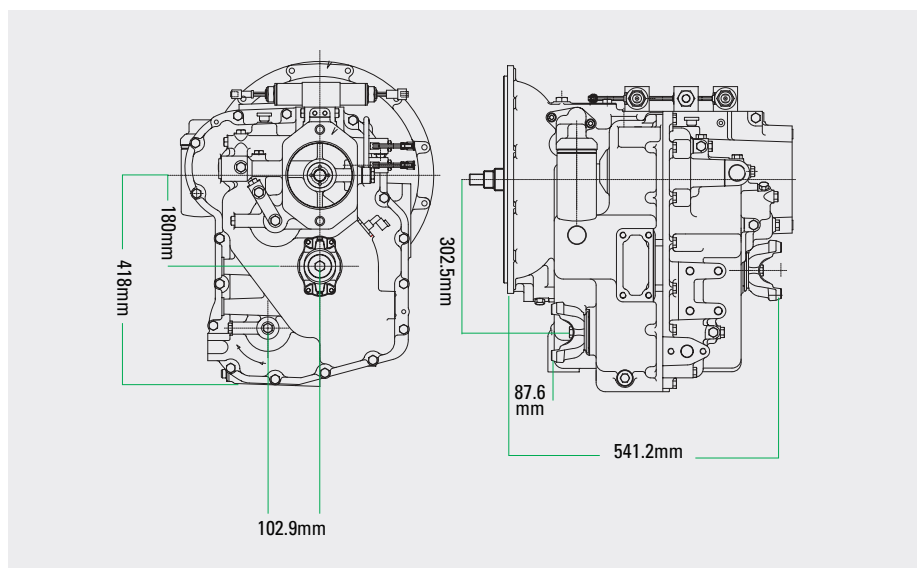
Gearing Type	Helical
--------------	---------

Standard Gear Ratios

1F	4.842	
2F	3.000	
3F	2.276	
4F	1.410	
5F	1.000	
4 Wheel Drive Ratio (Rotation Opposite to Engine)	0.973	1.000
1R	4.842	
2R	2.276	
3R	1.000	

OPTIONAL FEATURES

- Torque converter to match co-ax pump drive machine application
- Various ratios available to match the application
- 20 kp/h option for TUV regulations
- Fully modulated control valves for directional changes
- Sequential shift electronic controller
- Temperature sender (max 120°C) available
- Available without pump drive
- Caliper park brake available
- Optional electrical connectors Deutsch or DIN
- 4 wheel drive options:
 - Full multi-plate clutch pack 'engage on the move'
 - Permanent 4 wheel drive
- Remote mount transmission option available



Caterpillar

1st Floor Hexagon House
 No.3 Trinity Court
 Wolverhampton Business Park
 Wolverhampton
 United Kingdom
 WV10 6UH

Sales Enquiries Telephone
 +44 (0) 1455 825022

General Enquiries Telephone
 +44 (0) 1902 625627