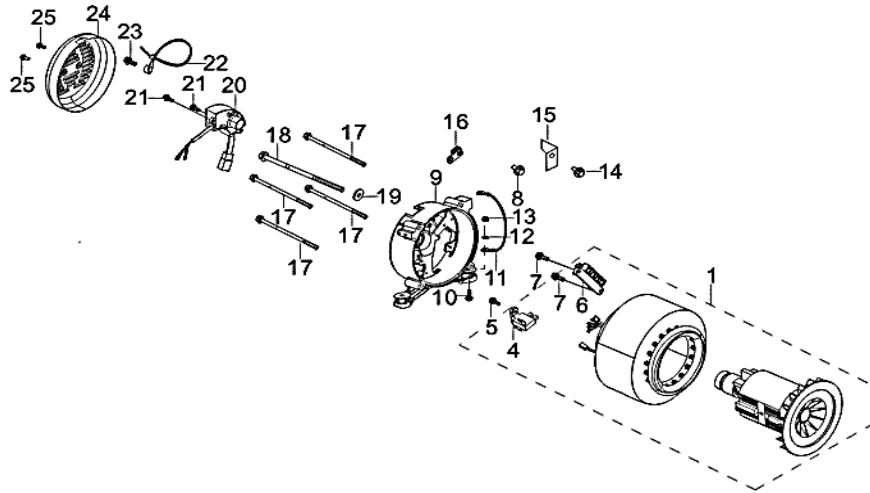


Generator Assembly



RP3600



REF. NO.	DESCRIPTION	Part QTY	Part UPC	CAT Individual Part No.	MSRP Part Price	Group QTY	Group UPC	CAT Group Part No.	Group Name	MSRP Group Price	MODEL	Group Dim(mm)				Part Dim (mm)			
												Length	Width	Height	Weight(g)	Length	Width	Height	Weight(g)
20	REGULATOR, VOLTAGE	1				1	815683020821	512-8256	REGULATOR GP -H	\$25.95	RP3600	110	33	21	125.2				
21	BOLT	2									RP3600								
24	COVER, MOTOR TAIL	1				1	815683020838	512-8257	COVER GP	\$16.61	RP3600	160	160	28	190				
25	BOLT	2									RP3600								
E00-2	GENHEAD ASSY (Include F63-1 to F63-25) Generator GP - E"	1	815683020814	501-5082	\$169.32						RP3600	336	190	190	17227.9				