

# Cat<sup>®</sup> Orange Peel Grapples (GSM)

For Excavators from 10 to 90 tons



## Features

High fill factor

Powerful grip

Heavy duty

Rigid housing

High quality

Wide range

## Benefits

Cat Orange Peel Grapples (GSM) are designed to suit Cat excavators for handling large amounts of scrap or waste as well as for loading and unloading ships.

The powerful closing force of the grapple shells combined with fast opening and closing times ensures short cycle times delivering more tons per hour.

Due to the nature of the materials that can be loaded, high quality wear resistant materials for the shells, pivot pins and sleeve bearings are used. The pivot points are equipped with dust seals engineered to the latest standards.

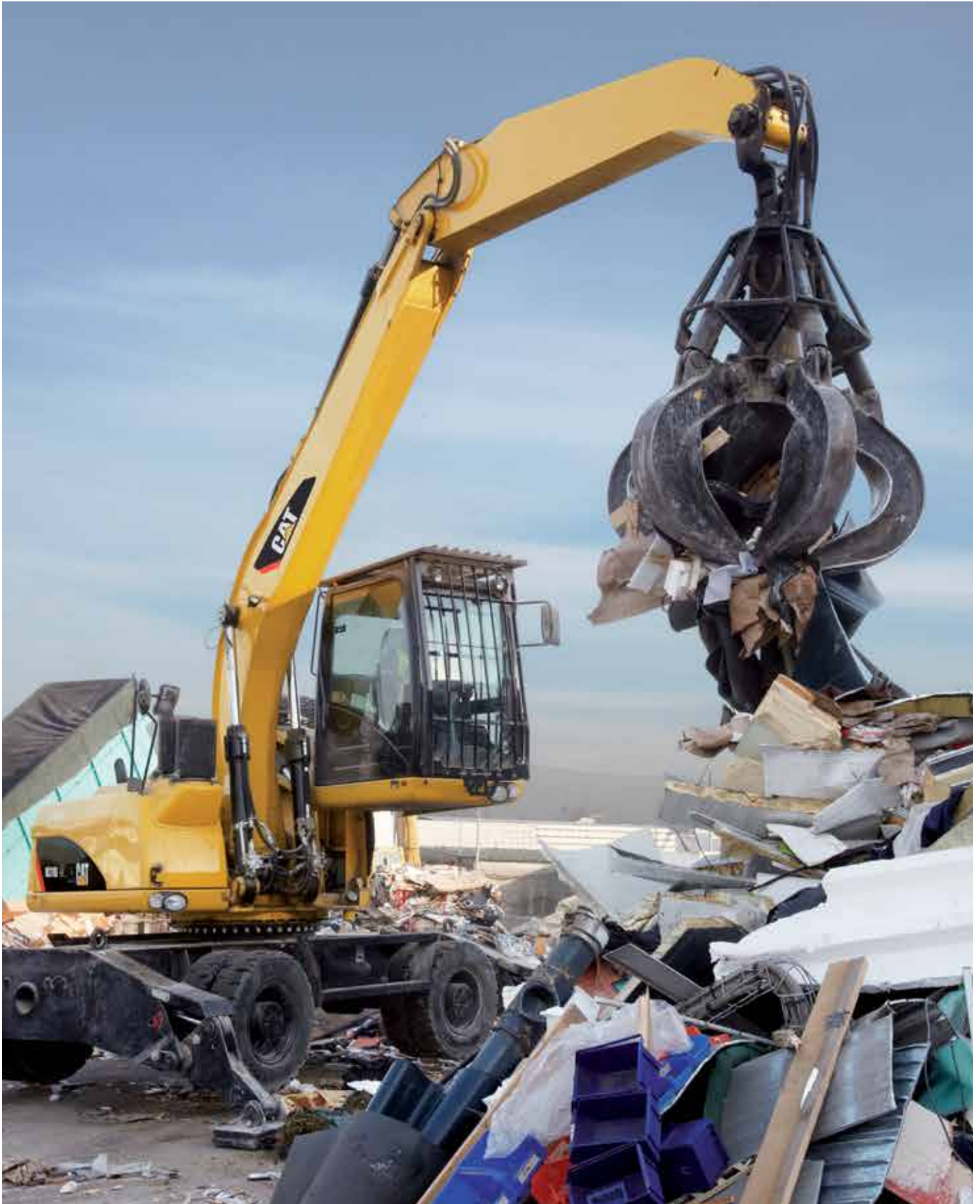
The housing features a proven rigid design for a long service life. The grapples are equipped with 360° hydraulic rotation for easy positioning of the grapple during operation.

High quality cylinders feature cushioned opening of the shells. This to avoid premature wear.

The large GSM offering provides a perfect match to any Cat or Non-Cat excavator.

## Cat® Orange Peel Grapples (GSM)

Caterpillar offers a wide range of GSM Orange Peel Grapples. These grapples can be used in a wide range of applications, including the handling of shredded scrap, long structural beams and car bodies. They can also be used to handle waste at recycling plants and transfer stations and are ideal for rock handling at construction sites. The Cat GSM grapple comes standard with a protection frame and protection tubes enhancing the life time of the cylinder rod-ends.

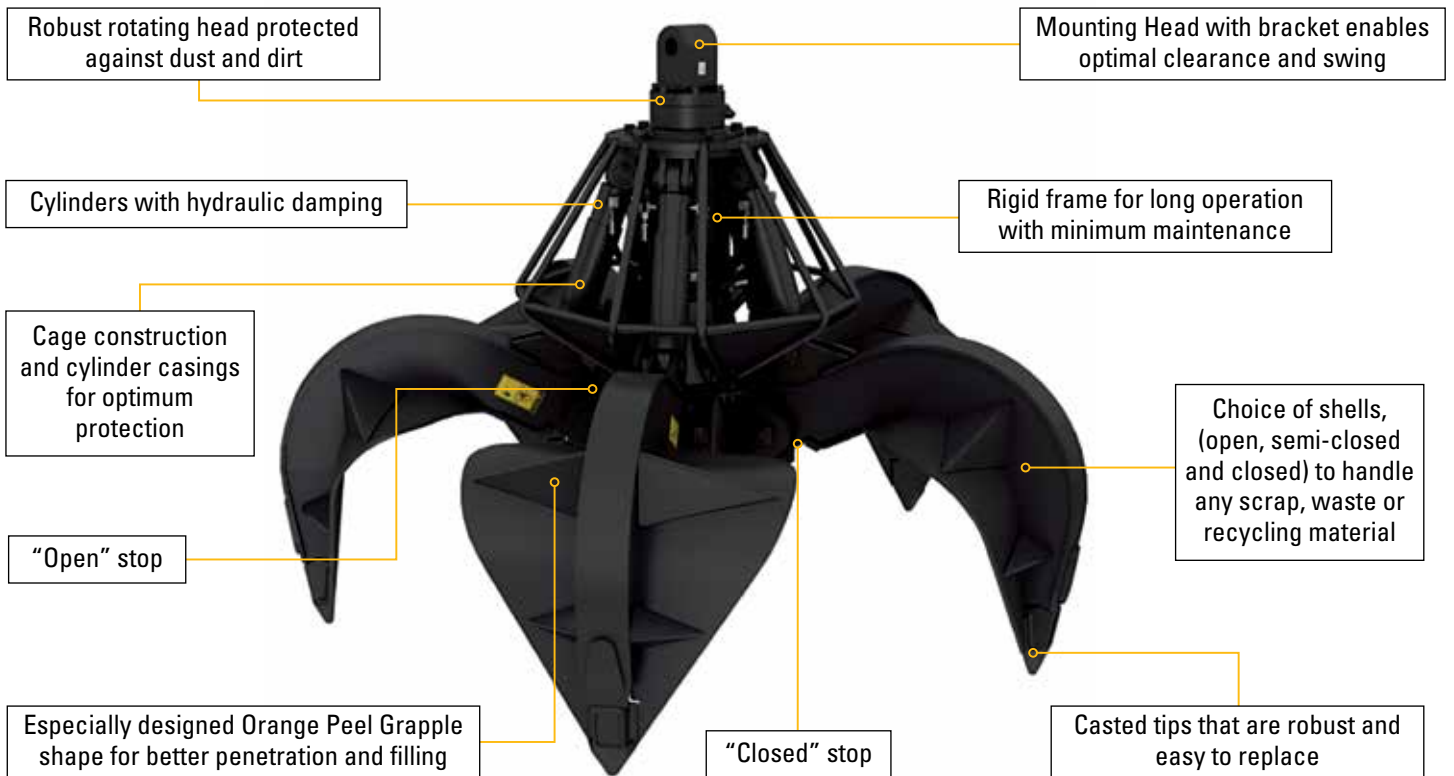




# Cat® Orange Peel Grapples (GSM)

Just what you expect from a scrap grapple. High Power, Large capacity, extremely strong and well designed construction for optimum performance. Work efficiently with as little wear as possible and low maintenance costs with GSM grapples from Caterpillar.

## Example: GSM-35-H-5-600-C



## Cat® Orange Peel Grapples (GSM)



### **CW + CAG**

**Grab suspension for CW Quick Coupler**

When using a CW coupler an interface is available to mount the GSM grapple. This interface is called CAG. For more information contact your local Cat Dealer.





# Cat® Orange Peel Grapples (GSM)

Caterpillar offers the GSM grapple with a choice of different shell designs suited to various applications. Open shells are recommended for handling large scrap materials, rocks or concrete blocks while closed shells are recommended for small scrap materials like beverage cans. The Semi-open shells can be used for handling scrap materials like car radiators, batteries, wires and cables white goods and engine blocks.



Open shells



Semi-closed shells



Closed shells



Large-sized pieces

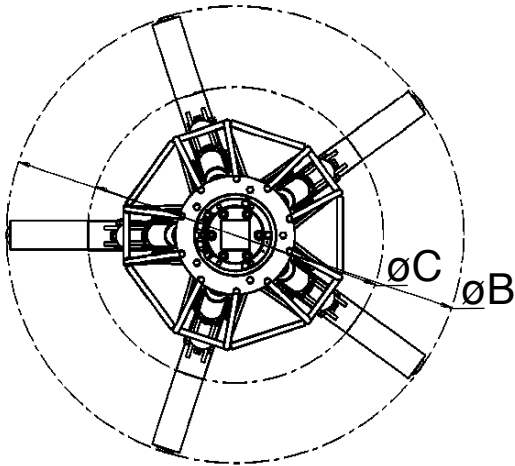


Small-sized pieces



# Cat® Orange Peel Grapples (GSM)

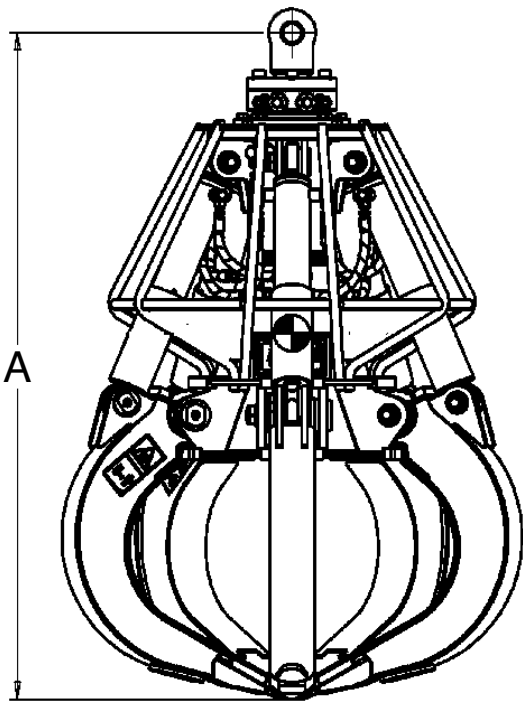
## Specifications



### Example, explanation of the nomenclature:

**GSM22-H-5-300-C**

- Shape of the Shell (C=Closed, O=Open and S=Semi-closed)
- Capacity in liters
- Number in tines
- Hydraulic rotation
- Size class
- Type of Grab



# Cat® Orange Peel Grapples (GSM)

Model specifications	Weight kg	Height A (mm)	Spread shells open B (mm)	Spread shells closed C (mm)	Opt. Press. Open/ close (bar)	Opt. Press. Rotation (bar)	Opt. flow Open/ close (l/min)	Opt. flow Rotation (l/min)
GSM22-H-5-300-O	793	1745	1911	1156	300	180	50-75	10-15
GSM22-H-5-300-S	818	1745	1911	1156	300	180	50-75	10-15
GSM22-H-5-300-C	887	1745	1911	1156	300	180	50-75	10-15
GSM22-H-5-400-O	816	1835	2079	1253	300	180	50-75	10-15
GSM22-H-5-400-S	849	1835	2079	1253	300	180	50-75	10-15
GSM22-H-5-400-C	945	1835	2079	1253	300	180	50-75	10-15
GSM22-H-5-500-O	843	1910	2220	1330	300	180	50-75	10-15
GSM22-H-5-500-S	878	1910	2220	1330	300	180	50-75	10-15
GSM22-H-5-500-C	973	1910	2220	1330	300	180	50-75	10-15
GSM25-H-5-400-O	1203	1942	2190	1408	300	180	65-100	10-15
GSM25-H-5-400-S	1247	1942	2190	1408	300	180	65-100	10-15
GSM25-H-5-400-C	1368	1942	2190	1408	300	180	65-100	10-15
GSM25-H-5-500-O	1264	1997	2294	1522	300	180	65-100	10-15
GSM25-H-5-500-S	1319	1997	2294	1522	300	180	65-100	10-15
GSM25-H-5-500-C	1509	1997	2294	1522	300	180	65-100	10-15
GSM25-H-5-600-O	1281	2067	2424	1543	300	180	65-100	10-15
GSM25-H-5-600-S	1345	2067	2424	1543	300	180	65-100	10-15
GSM25-H-5-600-C	1509	2067	2424	1543	300	180	65-100	10-15
GSM25-H-5-800-O	1311	2167	2612	1607	300	180	65-100	10-15
GSM25-H-5-800-S	1395	2167	2612	1607	300	180	65-100	10-15
GSM25-H-5-800-C	1618	2167	2612	1607	300	180	65-100	10-15
GSM35-H-5-600-O	1738	2214	2429	1580	300	180	100-150	20-25
GSM35-H-5-600-S	1818	2214	2429	1580	300	180	100-150	20-25
GSM35-H-5-600-C	2008	2214	2429	1580	300	180	100-150	20-25
GSM35-H-5-800-O	1791	2344	2674	1652	300	180	100-150	20-25
GSM35-H-5-800-S	1896	2344	2674	1652	300	180	100-150	20-25
GSM35-H-5-800-C	2116	2344	2674	1652	300	180	100-150	20-25
GSM35-H-5-1000-O	1847	2439	2864	1762	300	180	100-150	20-25
GSM35-H-5-1000-S	1983	2439	2864	1762	300	180	100-150	20-25
GSM35-H-5-1000-C	2271	2439	2864	1762	300	180	100-150	20-25
GSM45-H-5-1000-O	2388	2555	2940	1814	300	180	140-200	20-25
GSM45-H-5-1000-S	2481	2555	2940	1814	300	180	140-200	20-25
GSM45-H-5-1000-C	2749	2555	2940	1814	300	180	140-200	20-25
GSM45-H-5-1250-O	2475	2644	3090	1932	300	180	140-200	20-25
GSM45-H-5-1250-S	2594	2644	3090	1932	300	180	140-200	20-25
GSM45-H-5-1250-C	2906	2644	3090	1932	300	180	140-200	20-25
GSM50-H-5-1250-O	3199	2735	3200	1862	300	180	180-250	20-25
GSM50-H-5-1250-S	3319	2735	3200	1862	300	180	180-250	20-25
GSM50-H-5-1250-C	3614	2735	3200	1862	300	180	180-250	20-25
GSM50-H-5-1500-O	3286	2835	3400	1962	300	180	180-250	20-25
GSM50-H-5-1500-S	3425	2835	3400	1962	300	180	180-250	20-25
GSM50-H-5-1500-C	3751	2835	3400	1962	300	180	180-250	20-25
GSM50-H-5-2000-O	3380	2995	3320	2071	300	180	180-250	20-25
GSM50-H-5-2000-S	3570	2995	3320	2071	300	180	180-250	20-25
GSM50-H-5-2000-C	3979	2995	3320	2071	300	180	180-250	20-25
GSM60-H-5-3750-O	5060	3450	4270	2620	300	180	240-300	20-25
GSM60-H-5-3750-S	5420	3450	4270	2620	300	180	240-300	20-25



# Cat® Orange Peel Grapples (GSM)

## Matching Guide

Multi-Grapples	Hydraulic Excavators
GSM-22	M313D, 311D RR, 312D, 314D CR, 315D, 312E, 314E CR
GSM-25	M313D, M315D, M316D, M318D MH, M322DMH, 311D RR, 312D, 314D CR, 315D, 312E, 314E CR
GSM-35	M315D, M316D, M318D, M322D, M318D MH, M322D MH, M325D MH, 319D, 320D, 320D RR, 323D, 324D, 328D CR, 329D, 320E, 320E RR, 323E, 324E, 329E
GSM-45	M325D MH, 325D, 328D CR, 329D, 336D, 324E, 329E, 336E
GSM-50	336D, 345D, 336E, 349E
GSM-60	345D, 374D, 349E



For more complete information on Cat products, dealer services, and industry solutions, visit us on the web at [www.cat.com](http://www.cat.com)

© 2013 Caterpillar -- All Rights Reserved

Materials and specifications are subject to change without notice. Featured machines in photos may include additional equipment. See your Caterpillar dealer for available options.

CAT, CATERPILLAR, their respective logos, "Caterpillar Yellow" and the POWER EDGE™ trade dress, as well as corporate and product identity used herein, are trademarks of Caterpillar and may not be used without permission.



AEHQ6888

