



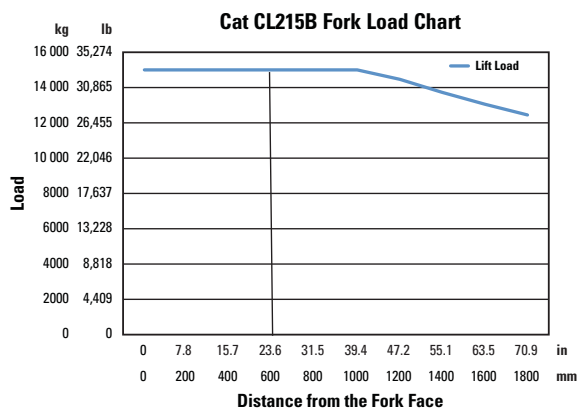
Cat[®] CL215B

LHD VEHICLE

Specifications

Capacities

Bucket Payload	12 000 kg	26,455 lb
RAS Forks Maximum, Payload	15 000 kg	33,069 lb
RAS Fixed Jib Maximum Payload	10 000 kg	22,046 lb
RAS Slewing Jib Maximum Payload	8000 kg	17,636 lb
RAS Belt Reeler	12 000 kg	26,455 lb
Maximum Un-braked Trailer Mass	15 000 kg	33,069 lb
Maximum Braked Trailer Mass	Consult Caterpillar	



Standard Ejector Bucket

Heaped Capacity (SAE)	4.5 m ³	5.9 yd ³
Struck Capacity	3.5 m ³	4.6 yd ³

Weight

Operating with Bucket Only	29 000 kg	63,933 lb
Operating without Bucket	26 500 kg	59,422 lb
Maximum Laden	44 000 kg	97,003 lb

Engine (6 Cylinder)

Type	Diesel, Turbocharged	
Cooling System	Coolant Based Radiator	
Radiator Position	Vertical Rear	
Cooling Fan	Hydraulic Driven Fan	
Engine Make/Model	Cat C7	
Displacement	7.2 L	439.3 in ³
Maximum Power Gross	171.5 kW (230 hp) @ 2,200 rpm	
Maximum Torque Tested	895 N·m (660 lb·ft) @ 1,700 rpm	

Engine Speeds

Low Idle	800 rpm
High Idle	2,300 rpm

Fuel Consumption

At Full Power	39.4 L/hr	10.4 gal/hr
Average Mine Duty	20-40 L/hr	5.3-10.5 gal/hr

Start System

Starter Motor Type	Air Turbine Type
--------------------	------------------

Intake Air Cleaner

Type/Make	Dry Dual Element/Caterpillar
Intake Flame Trap	Spiral Wound Type

Exhaust Conditioner

Type	Flameproof Wet
Make	Caterpillar
Exhaust Filter	Replaceable Element Except China
Exhaust Flame Trap	Replaceable China and RSA
Aftertreatment	Catalytic Exhaust Purifier

Transmission

Type	Power Shift with Forward/Reverse
Speeds, Forward and Reverse	4

Axles Standard

Type	Outboard Planetary
Front Axle	Fixed
Rear Axle	Trunnion Mount

Wheels

Make/Model	5 Pieces (Heavy Duty)
------------	-----------------------



CL215B LHD Vehicle

Tires – Standard

Type	XKA Tires	
Size	20.5 × R25	
Ply Rating	Radial	
Inflation Media	Air	
Inflation Pressure	800 kPa	116 psi

Hydraulic Filtration

Bucket System	Return 10 Micron Replaceable with Bypass
Steer/Brake System	Pressure 10 Micron Replaceable with Bypass

Articulation

Degrees of Turn Either Side	43 Degree
-----------------------------	-----------

Oscillation

Degrees Up and Down from Horizon	7.5 Degree
----------------------------------	------------

Seating (Driver)

Type	Cross-seated
------	--------------

Canopy

Type Protective Device	MDG1
Optional ROPS/FOPS	

Electrical System

Type	Approved Flameproof
Voltage	12V
Polarity	Floating Chassis

Shutdown System

System Type	DCS Electronic
Standard Shutdowns	Intrinsically Safe Approved
	Low Engine Oil Pressure
	Exhaust Temperature
	Engine Coolant Level
	Engine Coolant Temperature
	Turbo Temperature
	Scrubber Level 1
Scrubber Level 2	
Optional Shutdowns	High Methane
	Low Hydraulic Oil
	Exhaust Scrubber Temperature

Lights

Number/Location	2 Front, 2 Rear
	Approved Flameproof

Alternator

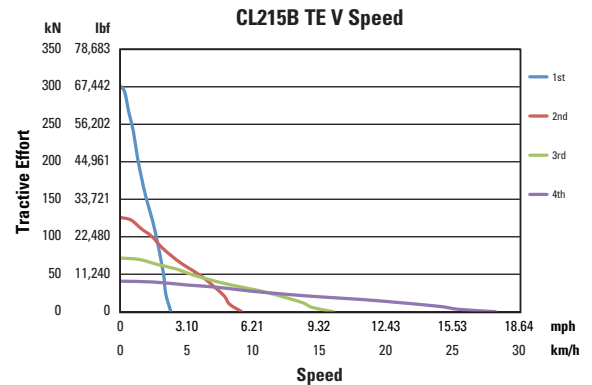
Drive	Hydraulic
Type	Approved Flameproof

Pneumatic System

Compressor Type	Piston Engine Gear Driven	
Air Flow	0.340 m ³ /min (12 ft ³ /min) @ 1,500 rpm	
Governed Pressure	800 kPa	116 psi
Relief Pressure	830 kPa	120 psi
Air Receiver Volume	80 L	2.8 ft ³

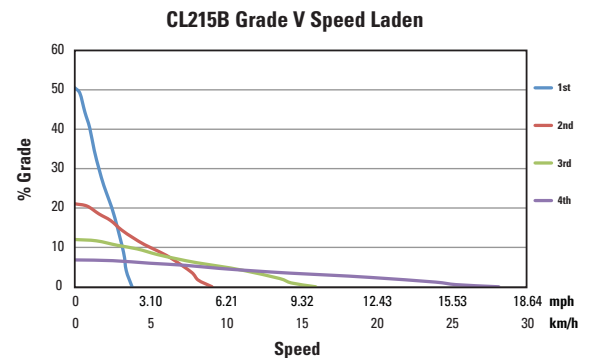
Vehicle Speeds

1st Gear	2.6 km/h	1.6 mph
2nd Gear	6.3 km/h	3.9 mph
3rd Gear	11 km/h	6.9 mph
4th Gear	19.4 km/h	12 mph



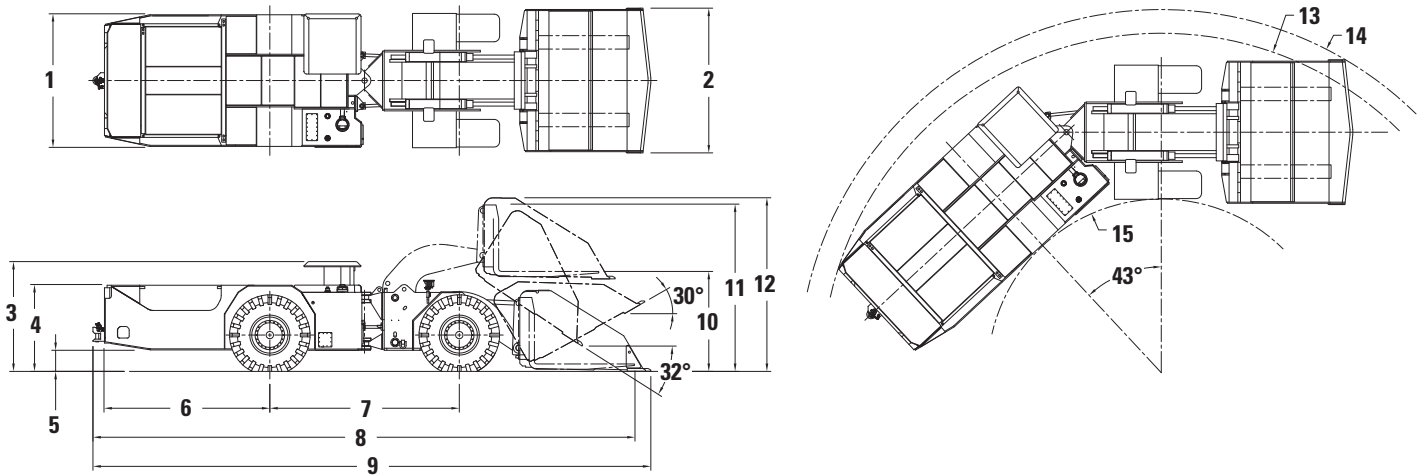
Grade Ability

Front to Rear	1:4
Side to Side (Empty)	1:4
Side to Side	1:8



Service Capacities

Hydraulic Tank	300 L	78.3 gal
Fuel Tank	300 L	78.3 gal
Main Air Receiver	150 L	5.3 ft ³
Transmission/Converter Oil	40 L	10.5 gal
Engine Crankcase Oil (with Filter)	25 L	5.8 gal
Engine Cooling System Water	72 L	19 gal
Axle Oil (Each)	71 L	18.7 gal
Water Make Up Tank	450 L	118.9 gal



Dimensions (All dimensions are approximate.)

1 Width	2540 mm	100 in
2 Width – Over Bucket	2750 mm	108.3 in
3 Height – Top of ROPS		
LOW Canopy Mount	2056 mm	80.9 in
MID Canopy Mount	2119 mm	88.4 in
HIGH Canopy Mount	2182 mm	85.9 in
4 Height – Top of Hood	1650 mm	65 in
5 Height – Ground Clearance	400 mm	15.7 in
6 Length – Rear Axle to Bumper	3150 mm	124 in
7 Length – Wheel Base	3600 mm	141.1 in
8 Length – Overall with Fork	10 300 mm	401.5 in
9 Length – Overall with Bucket	10 600 mm	413.8 in
10 Lift Height of Fork	1900 mm	74.8 in
11 Lift Height – Fork Frame	3180 mm	125.2 in
12 Lift Height – Bucket Raised	3300 mm	130 in
13 Outer Radius Rear Frame	6450 mm	252 in
14 Outer Radius Bucket	6900 mm	271.7 in
15 Inner Radius	3300 mm	129.9 in

CL215B LHD Vehicle

STANDARD EQUIPMENT

- The CL215B's come standard with the Rapid Attachment System (RAS) for rapid pick up and release of attachments.

OPTIONAL EQUIPMENT

- | | | |
|---|---|--|
| ■ Filled Tires – Insert or Foam | ■ Concrete Hopper Attachment | ■ 10 000 kg (22,046 lb) Belt/Cable Reeler |
| ■ Fire Suppression System | ■ Alternative Approved Electrical Components (lights, alternators, hour meters, etc.) | ■ 5.5 m ³ (7.2 yd ³) Bucket |
| ■ 15 000 kg (33,069 lb) Forks with Side Shift | ■ Load Indication Gauge System | ■ Trailer Towing Adapter (CHT-50) |
| ■ 8000 kg (17,636 lb) Slewing Jib Crane | ■ Tow Chains | ■ Power Assist Ready |
| ■ Elevating Work Platform | ■ Auto Lubrication System | ■ Trailer Power Assist (CHT-50) |
| ■ Fuel and Lubrication Pod | | |

For more complete information on Cat products, dealer services, and industry solutions, visit us on the web at www.cat.com

AEHQ6807 (09-12)

© 2012 Caterpillar
All Rights Reserved
Printed in U.S.A.

Materials and specifications are subject to change without notice. Featured machines in photos may include additional equipment. See your Cat dealer for available options.

CAT, CATERPILLAR, SAFETY.CAT.COM, their respective logos, "Caterpillar Yellow" and the "Power Edge" trade dress, as well as corporate and product identity used herein, are trademarks of Caterpillar and may not be used without permission.

