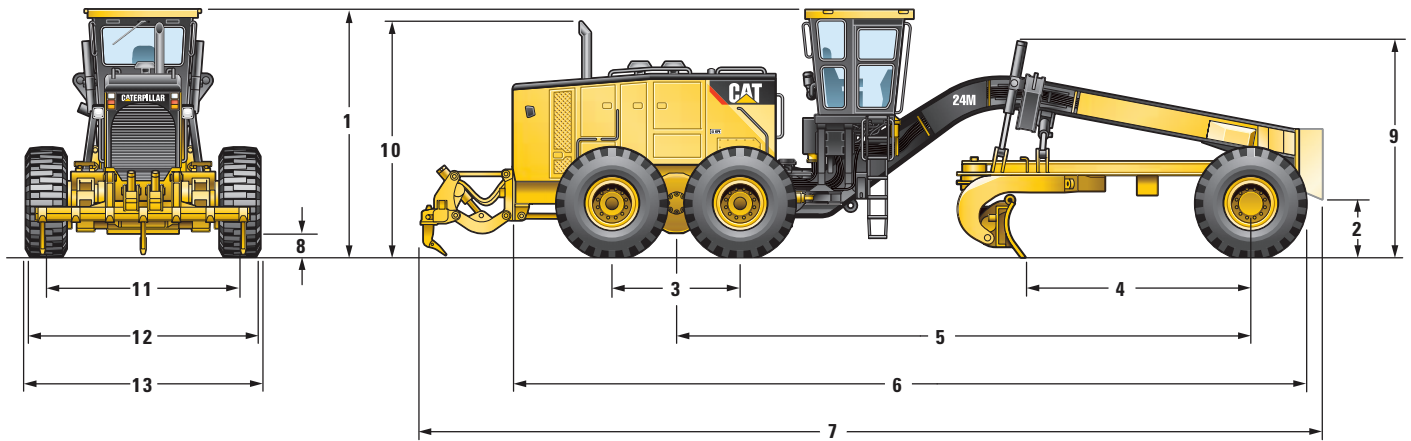


# 24M Motor Grader

## Dimensions



1	Height – Top of Cab	4452 mm	175.3 in
2	Height – Front Axle Center	858 mm	33.8 in
3	Length – Between Tandem Axles	2285 mm	90 in
4	Length – Front Axle to Moldboard	4048 mm	159.4 in
5	Length – Front Axle to Mid Tandem	10 278 mm	404.6 in
6	Length – Front Tire to End of Rear Frame	14 194 mm	558.8 in
7	Length – Counterweight to Ripper	16 102 mm	633.9 in
8	Ground Clearance at Rear Axle	607 mm	23.9 in
9	Height to Top of Cylinders	3846 mm	151.4 in
10	Height to Exhaust Stack	4322 mm	170.2 in
11	Width – Tire Center Lines	3450 mm	135.8 in
12	Width – Outside Rear Tires	4225 mm	166.3 in
13	Width – Outside Front Tires	4280 mm	168.5 in