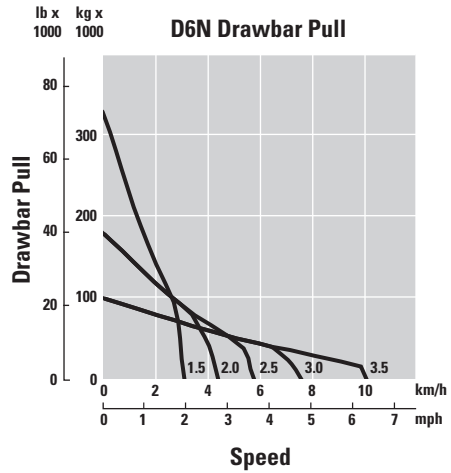


D6N Track-Type Tractor

Drawbar Pull

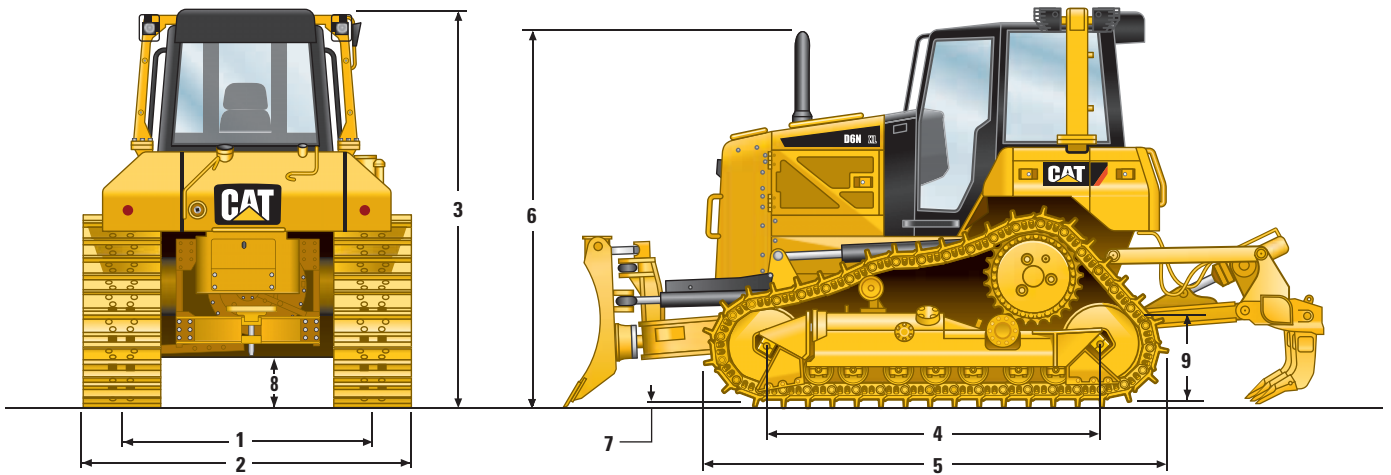


The direct injection electronic fuel system provides a controlled fuel delivery increase as the engine lugs back from rated speed. This results in increased horsepower. A combination of increased torque rise and maximum horsepower improves response, provides greater drawbar pull and faster dozing cycles.

D6N Track-Type Tractor

Dimensions

(approximate)



Tractor Dimensions

	XL		LGP		XL Fine Grading	
1 Track gauge	1890 mm	74.4 in	2160 mm	85 in	1890 mm	74.4 in
2 Width of tractor	With the following attachments:					
Standard shoes without blade	2500 mm	98.4 in	3000 mm	118 in	2500 mm	98.4 in
Standard shoes with VPAT blade fully angled	2965 mm	116.7 in	3699 mm	145.6 in	2965 mm	116.7 in
Standard shoes with VPAT blade angled and folded (foldable blade only)	2545 mm	100 in	3000 mm	118 in	2545 mm	100 in
3 Machine height – ROPS cab:	From tip of grouser:					
From ground face of shoe	3088 mm	121.57 in	3202 mm	126 in	3202 mm	126 in
4 Length of track on ground	2643 mm	104.0 in	3116 mm	122.6 in	3206 mm	126 in
5 Length of basic tractor (with drawbar)	3740 mm	147.2 in	4194 mm	165 in	4194 mm	165 in
With the following attachments, add to basic tractor length:						
Ripper (with tip at ground line)	1026 mm	40.4 in	1026 mm	40.4 in	1026 mm	40.4 in
PA55 winch	381 mm	15 in	381 mm	15 in	381 mm	15 in
VPAT blades, straight	1163 mm	45.8 in	1705 mm	67.1 in	1705 mm	67.1 in
VPAT blade, angled 25°	1787 mm	70.4 in	2487 mm	87.9 in	2329 mm	91.7 in
SU blade	1417 mm	55.8 in	—	—	—	—
6 Height over stack from tip of grouser	2979 mm	117.3 in	3083 mm	121.4 in	3083 mm	121.4 in
7 Height of grouser	66 mm	2.6 in	57 mm	2.2 in	57 mm	2.2 in
8 Ground clearance from ground face of shoe (per SAE J1234)	394 mm	15.5 in	507 mm	20.0 in	507 mm	20 in
9 Drawbar height (grouser tip to center of clevis)	From ground face of shoe					
	595 mm	22.2 in	710 mm	28 in	710 mm	28 in