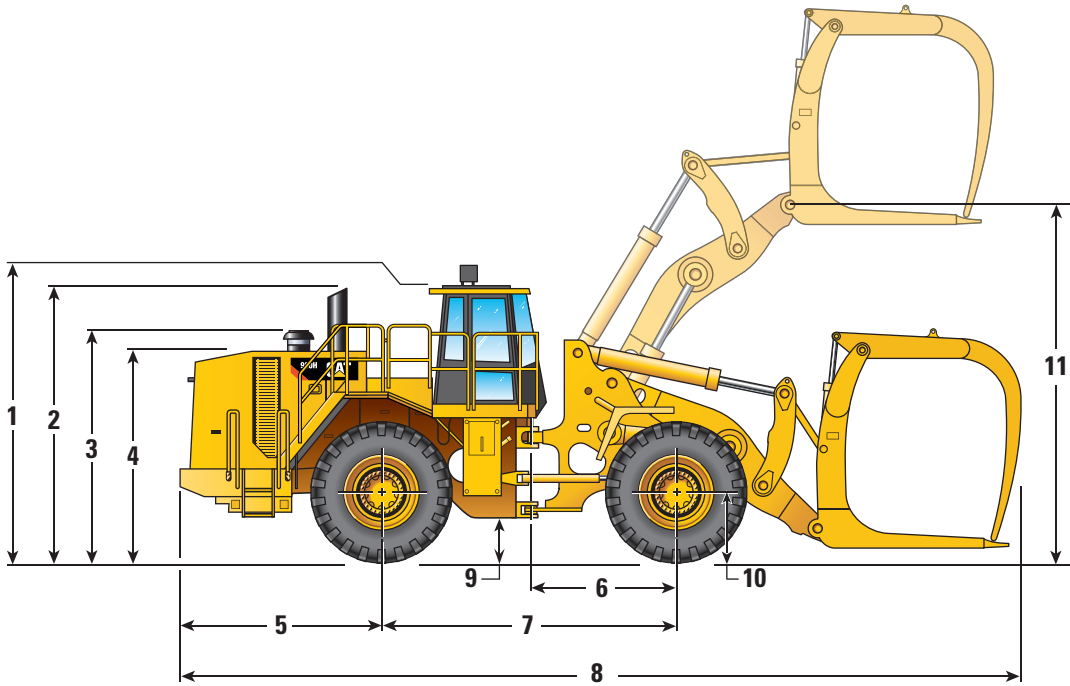


988H/990H Large Wheel Loader Millyard Arrangements

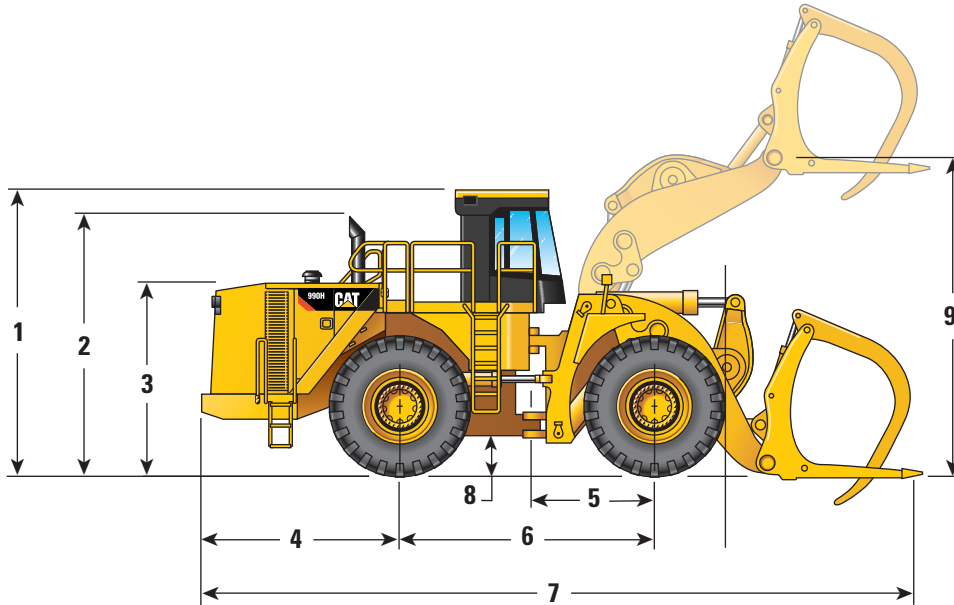
Dimensions – 988H



| | | | |
|-----------|---|-------------|-------------|
| 1 | Height to Top of Cab | 4105 mm | 13 ft 6 in |
| 2 | Height to Top of Exhaust Stacks | 4089 mm | 13 ft 5 in |
| 3 | Height to Top of Air Cleaner | 3359 mm | 11 ft 0 in |
| 4 | Height to Top of Hood | 3133 mm | 10 ft 3 in |
| 5 | Center Line of Rear Axle to Edge of Rear Bumper | 3132 mm | 10 ft 3 in |
| 6 | Center Line of Front Axle to Hitch | 2275 mm | 7 ft 6 in |
| 7 | Wheel Base Length | 4550 mm | 14 ft 11 in |
| 8 | Length with Forks on Ground | 12 464.6 mm | 40 ft 11 in |
| 9 | Ground Clearance | 526 mm | 1 ft 9 in |
| 10 | Height to Center of Wheel | 955 mm | 3 ft 2 in |
| 11 | Hinge-Pin Height | 4909 mm | 16 ft 1 in |

988H/990H Large Wheel Loader Millyard Arrangements

Dimensions – 990H



| | | | |
|----------|---|-------------|-------------|
| 1 | Height to Top of Cab | 5070 mm | 16 ft 8 in |
| 2 | Height to Top of Exhaust Stacks | 4726 mm | 15 ft 6 in |
| 3 | Height to Top of Hood | 3515 mm | 11 ft 6 in |
| 4 | Center Line of Rear Axle to Edge of Rear Bumper | 3615 mm | 11 ft 10 in |
| 5 | Center Line of Front Axle to Hitch | 2300 mm | 7 ft 7 in |
| 6 | Wheel Base Length | 4600 mm | 15 ft 1 in |
| 7 | Length with Forks on Ground | 13 369.6 mm | 43 ft 10 in |
| 8 | Ground Clearance | 478 mm | 19 in |
| 9 | Hinge-Pin Height | 5866 mm | 19 ft 3 in |