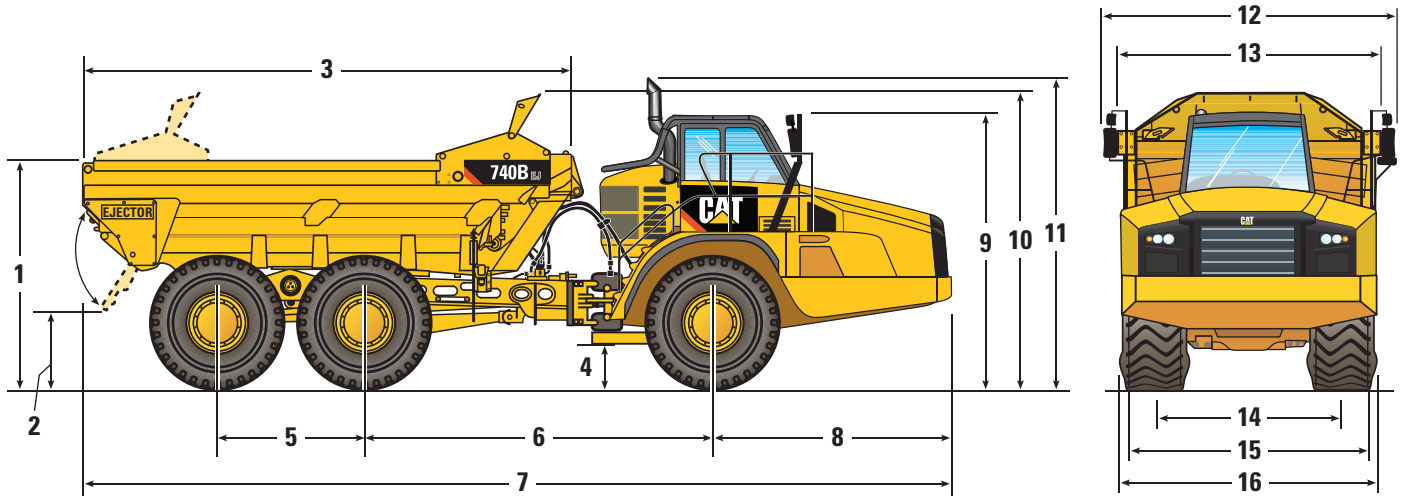


740B EJ Articulated Truck

Dimensions



	mm	ft		mm	ft
1	3067	10.0	9	3745	12.2
2	1098	3.6	10*	3984	13.1
3	6730	22.1	11**	4039	13.3
4	577	1.8	12	4163	13.7
5	1966	6.4	13	3512	11.5
6	4596	15.0	14	2687	8.8
7	11 698	38.4	15	3430	11.2
8	3330	10.9	16***	3527	11.6

*Hinged spill plate for transportation.

**Exhaust stack can be removed for transportation.

***Max-unladen over tire bulge.

740B EJ Articulated Truck

Turning Circle

Dimensions are for machines equipped with 29.5R25 tires.

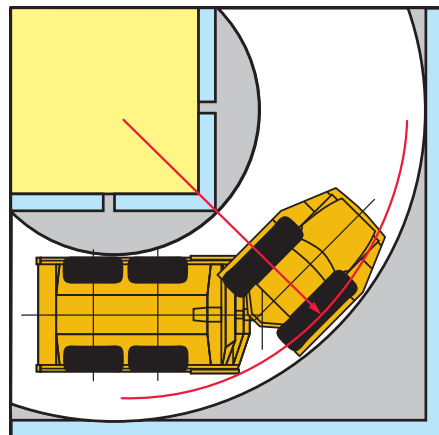
Turning dimensions

Steer angle – left/right	45°	
SAE turning radius	8640 mm	340.2 in
Clearance radius	9090 mm	357.9 in
Inside radius	4470 mm	176.0 in
Aisle width	5930 mm	233.5 in

Steering

Lock to Lock

4.6 seconds @ 60 rpm



Optimal Loader/Truck Pass Matching

Hydraulic Excavators

	390D	374D	349D/E
Loader Capacity (Tonnes) – 50 min hr	954-1193	750-1100	665-805
Loader Capacity (Tons) – 50 min hr	1,049-1,314	825-1,210	735-885
Passes	3-4	4-5	5-6

Wheel Loaders

	988H	980H/K	972H/K	966H/K
Loader Capacity (Tonnes) – 50 min hr	565-790	590-650	490-565	400-535
Loader Capacity (Tons) – 50 min hr	625-870	650-717	540-625	440-590
Passes	3-4	4-5	5	5-6

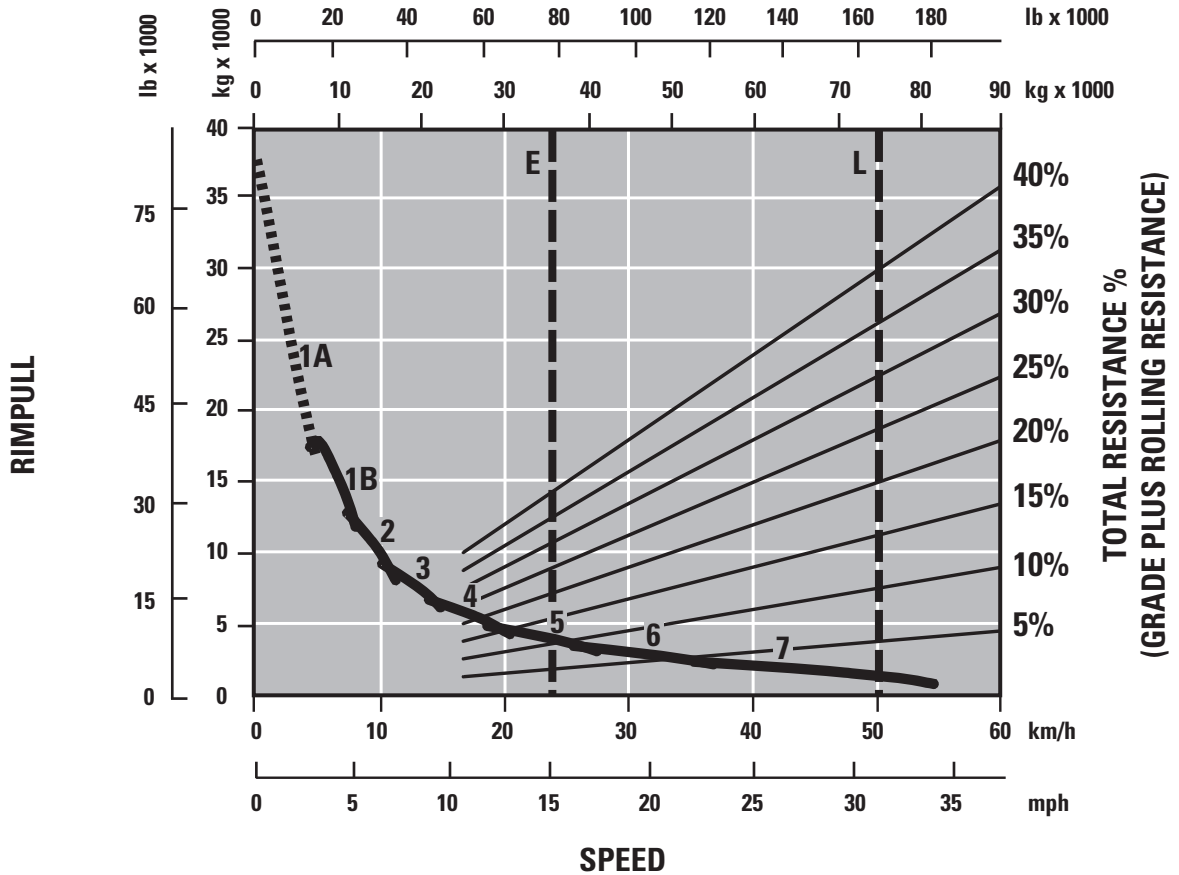
An optimum system match gives you a major productivity advantage. The 740B EJ is an excellent match for the Cat 349D/E, 374D and 390D Hydraulic Excavators; and 966H/K, 972H/K, 980H/K and 988H Wheel Loaders. This results in increased production and lower system costs per unit of volume moved.

740B EJ Articulated Truck

Gradeability/Speed/Rimpull

To determine performance, read from Gross Weight down to % Total Resistance. Total Resistance equals actual % grade plus 1% for each 10 kg/metric ton (20 lb/ton) of Rolling Resistance. From this point, read horizontally to the curve with the highest attainable speed range. Then, go down to Maximum Speed. Usable Rimpull depends on traction available.

STANDARD* GROSS WEIGHT



- 1A – 1st Gear (Converter Drive)
- 1B – 1st Gear (Direct Drive)
- 2 – 2nd Gear
- 3 – 3rd Gear
- 4 – 4th Gear
- 5 – 5th Gear
- 6 – 6th Gear
- 7 – 7th Gear

- E – Empty 36 628 kg (80,751 lb)
- L – Loaded 74 628 kg (164,526 lb)
- * at sea level

740B EJ Articulated Truck

Retarding Performance

To determine performance, read from Gross Weight down to % Effective Grade. Effective Grade equals actual % favorable grade plus 1% for each 10 kg/metric ton (20 lb/ton) of Rolling Resistance. From this point, read horizontally to the curve with the highest attainable speed range. Then, go down to Maximum Speed. Retarding effect on these curves represents full application of the retarder.

