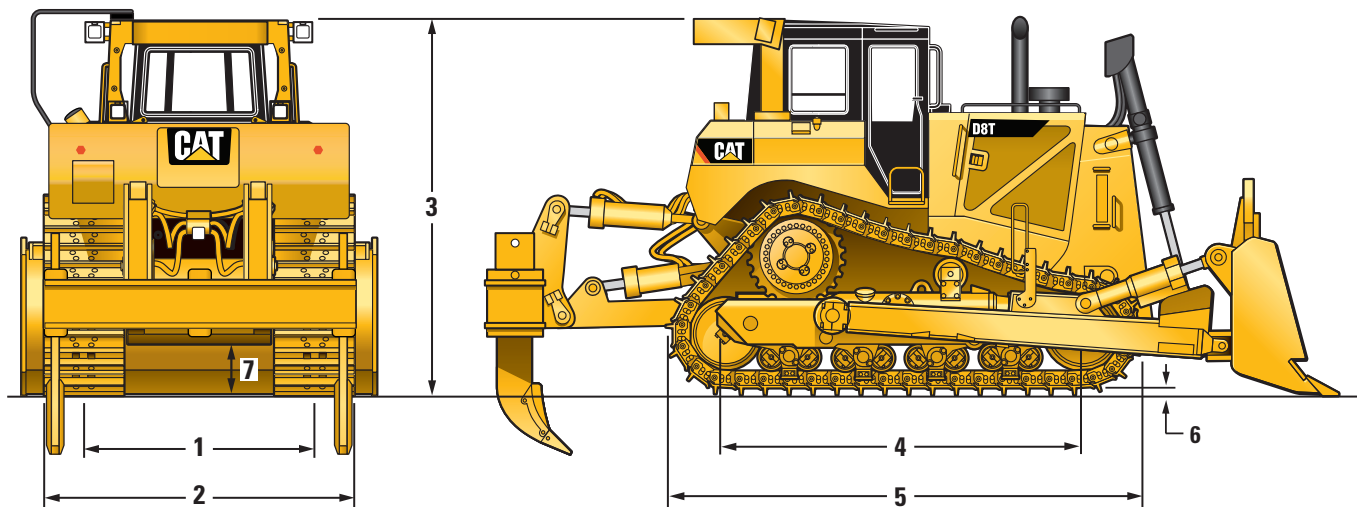


D8T Track-Type Tractor

Dimensions

(approximate)



	Standard		Non-Suspended		LGP*	
1 Track Gauge	2083 mm	82.0 in	2082 mm	82.0 in	2337 mm	92.0 in
2 Width of Tractor						
Over Trunnions	3057 mm	120.4 in	3050 mm	120.1 in	3377 mm	132.9 in
Without Trunnions (standard shoe width)	2642 mm	104.0 in	2642 mm	104.0 in	3302 mm	130.0 in
3 Machine Height, from Tip of Grouser						
Exhaust Stack	3304 mm	130.1 in	3480 mm	137.0 in	3295 mm	129.7 in
EROPS	3500 mm	137.8 in	3491 mm	137.4 in	3491 mm	137.4 in
4 Length of Track on Ground	3206 mm	126.2 in	3258 mm	128.3 in	3206 mm	126.2 in
5 Length of Basic Tractor (tag link trunnion to tip of rear grouser)	4554 mm	179.3 in	4554 mm	179.3 in	4554 mm	179.3 in
With following attachments add:						
Ripper – Single Shank (with tip at ground line)	1519 mm	59.8 in	1519 mm	59.8 in		N/A
Ripper – Multi Shank (with tip at ground line)	1613 mm	63.5 in	1613 mm	63.5 in		N/A
SU Blade	1844 mm	72.6 in	1844 mm	72.6 in	1844 mm	72.6 in
U Blade	2241 mm	88.2 in	2241 mm	88.2 in		N/A
A Blade (not angled)	2027 mm	79.8 in	2027 mm	79.8 in		N/A
A Blade (angled 25 deg.)	3068 mm	120.8 in	3068 mm	120.8 in		N/A
Drawbar	406 mm	16.0 in	406 mm	16.0 in	406 mm	16.0 in
6 Height of Grouser	78 mm	3.1 in	78 mm	3.1 in	78 mm	3.1 in
7 Ground Clearance	613 mm	24.1 in	606 mm	23.8 in	613 mm	24.1 in

*Standard shoe width of D8T LGP with non-suspended undercarriage is 965 mm (38 in).