

988H Wheel Loader

Operation/Bucket Specifications

		988H – 3.88 m Tires: 35/65 R33 XLDD1 SLR: 955 mm		
Bucket Type		General Purpose	General Purpose	Rock
Ground Engaging Tools		BOCE	BOCE	Teeth & Segments
Cutting Edge Type		Straight	Straight	Spade
Bucket Part No. (Group Level)		333-0931	333-0921	329-1611
Struck Capacity – ISO	m ³ (yd ³)	5.6 (7.3)	6.3 (8.2)	6.4 (8.4)
Heaped Capacity – ISO	m ³ (yd ³)	6.9 (9.0)	7.6 (10.0)	7.7 (10.0)
Overall Height	mm (ft/in)	7634 (25'1")	7738 (25'5")	7707 (25'3")
Dump Clearance at 45° Dump				
Bare	mm (ft/in)	3730 (12'3")	3646 (12'0")	3429 (11'3")
Teeth	mm (ft/in)	—	—	3236 (10'7")
Reach at 45° Dump				
Bare	mm (ft/in)	1754 (5'9")	1832 (6'0")	2047 (6'9")
Teeth	mm (ft/in)	—	—	2231 (7'4")
Reach with Level Boom Level Bucket				
Bare	mm (ft/in)	3806 (12'6")	3920 (12'10")	4226 (13'10")
Teeth	mm (ft/in)	—	—	4492 (14'9")
Digging Depth	mm (in)	227 (9")	232 (9")	232 (9")
Overall Length – Bucket Level Ground (Teeth)	mm (ft/in)	11 830 (38'10")	11 947 (39'2")	12 520 (41'1")
Turning Radius – Corner SAE Carry (Teeth)	mm (ft/in)	8680 (28'6")	8712 (28'7")	8791 (28'10")
Reach at 45° Dump and 2.13 m (7 ft 0 in) Height				
Bare	mm (ft/in)	2745 (9'0")	2794 (9'2")	3180 (10'5")
Teeth	mm (ft/in)	—	—	3340 (10'11")
Full Dump at Maximum Lift	degrees	-51.4	-51.4	-51.4
Tipping Load* at Operating Weight				
Straight	kg (lb)	33 040 (72,841)	32 692 (72,073)	31 860 (70,240)
Articulated 35°	kg (lb)	28 362 (62,528)	28 015 (61,762)	27 206 (59,978)
Articulated 43°	kg (lb)	26 279 (57,935)	25 931 (57,168)	25 132 (55,406)
Tipping Load** at Operating Weight				
Straight	kg (lb)	34 724 (76,553)	34 390 (75,817)	33 539 (73,941)
Articulated 43°	kg (lb)	29 277 (64,545)	28 954 (63,833)	28 127 (62,009)
Articulated 35°	kg (lb)	31 057 (68,469)	30 731 (67,750)	29 895 (65,907)
Breakout Force – SAE Rated	kg (lb)	49 062 (108,164)	45 977 (101,361)	39 289 (86,617)
Operating Weight	kg (lb)	49 598 (109,346)	49 835 (109,868)	50 360 (111,025)
Weight Distribution at SAE Carry				
Front	kg (lb)	25 326 (55,834)	25 746 (56,761)	26 752 (58,979)
Rear	kg (lb)	24 272 (53,511)	24 089 (53,107)	23 608 (52,047)

Note: Tire spec used for Tipping Load specifications includes 35/65R33 (L-4) Michelin XLDD1 tires.

*Tipping Loads were calculated within the guidelines of ISO 14397-1:2007 to include tire squash (Tire pressure at 634 kPa [92 psi]).

**Tipping Load is calculated without tire squash.

988H Wheel Loader

Operation/Bucket Specifications

		988H – 3.88 m Tires: 35/65 R33 XLDD1 SLR: 955 mm		
Bucket Type		Rock	Rock	Rock
Ground Engaging Tools		Teeth & Segments	Teeth & Segments	Teeth & Segments
Cutting Edge Type		Spade	Spade	Spade
Bucket Part No. (Group Level)		333-0891	333-0911	333-0950
Struck Capacity – ISO	m ³ (yd ³)	5.6 (7.3)	5.1 (6.7)	5.1 (6.7)
Heaped Capacity – ISO	m ³ (yd ³)	6.9 (9.0)	6.4 (8.3)	6.4 (8.3)
Overall Height	mm (ft/in)	7605 (24'11")	7530 (24'8")	7530 (24'8")
Dump Clearance at 45° Dump				
Bare	mm (ft/in)	3507 (11'6")	3563 (11'8")	3513 (11'6")
Teeth	mm (ft/in)	3314 (10'10")	3371 (11'1")	3345 (11'0")
Reach at 45° Dump				
Bare	mm (ft/in)	1970 (6'6")	1913 (6'3")	1942 (6'4")
Teeth	mm (ft/in)	2153 (7'1")	2097 (6'11")	2100 (6'11")
Reach with Level Boom Level Bucket				
Bare	mm (ft/in)	4116 (13'6")	4036 (13'3")	4092 (13'5")
Teeth	mm (ft/in)	4382 (14'5")	4302 (14'1")	4323 (14'2")
Digging Depth	mm (in)	232 (9")	232 (9")	247 (10")
Overall Length – Bucket Level Ground (Teeth)	mm (ft/in)	12 410 (40'9")	12 330 (40'5")	12 361 (40'7")
Turning Radius – Corner SAE Carry (Teeth)	mm (ft/in)	8762 (28'9")	8740 (28'8")	8753 (28'9")
Reach at 45° Dump and 2.13 m (7 ft 0 in) Height				
Bare	mm (ft/in)	2800 (9'2")	2769 (9'1")	2787 (9'2")
Teeth	mm (ft/in)	2984 (9'9")	2953 (9'8")	2945 (9'8")
Full Dump at Maximum Lift	degrees	-51.4	-51.4	-51.4
Tipping Load* at Operating Weight				
Straight	kg (lb)	32 195 (70,978)	32 435 (71,508)	31 338 (69,089)
Articulated 35°	kg (lb)	27 539 (60,713)	27 779 (61,242)	26 683 (58,826)
Articulated 43°	kg (lb)	25 465 (56,140)	25 705 (56,669)	24 609 (54,254)
Tipping Load** at Operating Weight				
Straight	kg (lb)	33 861 (74,651)	34 088 (75,151)	32 984 (72,717)
Articulated 43°	kg (lb)	28 437 (62,693)	28 658 (63,180)	27 550 (60,737)
Articulated 35°	kg (lb)	30 210 (66,602)	30 432 (67,091)	29 326 (64,653)
Breakout Force – SAE Rated	kg (lb)	41 531 (91,560)	43 299 (95,459)	41 607 (91,728)
Operating Weight	kg (lb)	50 144 (110,549)	49 986 (110,201)	51 093 (112,641)
Weight Distribution at SAE Carry				
Front	kg (lb)	26 362 (58,117)	26 076 (57,489)	28 005 (61,741)
Rear	kg (lb)	23 783 (52,432)	23 910 (52,712)	23 088 (50,901)

Note: Tire spec used for Tipping Load specifications includes 35/65R33 (L-4) Michelin XLDD1 tires.

*Tipping Loads were calculated within the guidelines of ISO 14397-1:2007 to include tire squash (Tire pressure at 634 kPa [92 psi]).

**Tipping Load is calculated without tire squash.

988H Wheel Loader

Operation/Bucket Specifications

		988H – 4.25 m Tires: 35/65 R33 XLDD1 SLR: 955 mm		
Bucket Type		General Purpose	General Purpose	Rock
Ground Engaging Tools		BOCE	BOCE	Teeth & Segments
Cutting Edge Type		Straight	Straight	Spade
Bucket Part No. (Group Level)		333-0931	333-0921	329-1611
Struck Capacity – ISO	m ³ (yd ³)	5.6 (7.3)	6.3 (8.2)	6.4 (8.4)
Heaped Capacity – ISO	m ³ (yd ³)	6.9 (9.0)	7.6 (10.0)	7.7 (10.0)
Overall Height	mm (ft/in)	8048 (26'5")	8152 (26'9")	8121 (26'8")
Clearance at 45° Dump				
Edge	mm (ft/in)	4143 (13'7")	4059 (13'4")	3842 (12'7")
Tooth Tip	mm (ft/in)	—	—	3650 (12'0")
Reach at 45° Dump				
Edge	mm (ft/in)	1852 (6'1")	1929 (6'4")	2145 (7'0")
Tooth Tip	mm (ft/in)	—	—	2329 (7'8")
Reach with level boom level bucket				
Edge	mm (ft/in)	4176 (13'8")	4290 (14'1")	4596 (15'1")
Tooth	mm (ft/in)	—	—	4862 (15'11")
Digging Depth	mm (in)	258 (10")	263 (10")	264 (10")
Overall Length – Bucket Level Ground (Tooth)	mm (ft/in)	12 270 (40'3")	12 387 (40'8")	12 960 (42'6")
Turning Radius – Corner SAE Carry (Tooth)	mm (ft/in)	8870 (29'1")	8904 (29'3")	8983 (29'6")
Clearance at 45° Dump and 2.13 m (7 ft 0 in) Height				
Edge	mm (ft/in)	2130 (7'0")	2130 (7'0")	2323 (7'7")
Tooth	mm (ft/in)	—	—	2130 (7'0")
Reach at 45° Dump and 2.13 m (7 ft 0 in) Height				
Edge	mm (ft/in)	3132 (10'3")	3184 (10'5")	3248 (10'8")
Tooth	mm (ft/in)	—	—	3432 (11'3")
Full Dump at Maximum Lift	degrees	-48.5	-48.5	-48.5
Tipping Load* at Operating Weight				
Straight	kg (lb)	30 879 (68,076)	30 558 (67,368)	29 764 (65,619)
Articulated 35°	kg (lb)	26 422 (58,251)	26 099 (57,539)	25 325 (55,831)
Articulated 43°	kg (lb)	24 432 (53,864)	24 110 (53,153)	23 344 (51,465)
Tipping Load** at Operating Weight				
Straight	kg (lb)	32 262 (71,126)	31 951 (70,440)	31 143 (68,659)
Articulated 43°	kg (lb)	27 031 (59,593)	26 728 (58,925)	25 941 (57,190)
Articulated 35°	kg (lb)	28 741 (63,363)	28 435 (62,688)	27 641 (60,938)
Breakout Force – SAE Rated	kg (lb)	52 971 (116,780)	49 652 (109,465)	42 469 (93,628)
Operating Weight	kg (lb)	50 626 (111,612)	50 863 (112,134)	51 388 (113,292)
Weight Distribution at SAE Carry				
Front	kg (lb)	25 652 (56,552)	26 093 (57,524)	27 145 (59,844)
Rear	kg (lb)	24 975 (55,060)	24 771 (54,610)	24 243 (53,447)

Note: Tire spec used for Tipping Load specifications includes 35/65R33 (L-4) Michelin XLDD1 tires.

*Tipping Loads were calculated within the guidelines of ISO 14397-1:2007 to include tire squash (Tire pressure at 634 kPa [92 psi]).

**Tipping Load is calculated without tire squash.

988H Wheel Loader

Operation/Bucket Specifications

		988H – 4.25 m Tires: 35/65 R33 XLDD1 SLR: 955 mm		
Bucket Type		Rock	Rock	Rock
Ground Engaging Tools		Teeth & Segments	Teeth & Segments	Teeth & Segments
Cutting Edge Type		Spade	Spade	Spade
Bucket Part No. (Group Level)		333-0891	333-0911	333-0950
Struck Capacity – ISO	m ³ (yd ³)	5.6 (7.3)	5.1 (6.7)	5.1 (6.7)
Heaped Capacity – ISO	m ³ (yd ³)	6.9 (9.0)	6.4 (8.3)	6.4 (8.3)
Overall Height	mm (ft/in)	8018 (26'4")	7943 (26'1")	7944 (26'1")
Clearance at 45° Dump				
Edge	mm (ft/in)	3920 (12'10")	3977 (13'1")	3926 (12'11")
Tooth Tip	mm (ft/in)	3728 (12'3")	3784 (12'5")	3758 (12'4")
Reach at 45° Dump				
Edge	mm (ft/in)	2067 (6'9")	2011 (6'7")	2040 (6'8")
Tooth Tip	mm (ft/in)	2251 (7'5")	2194 (7'2")	2198 (7'3")
Reach with level boom level bucket				
Edge	mm (ft/in)	4486 (14'9")	4406 (14'5")	4462 (14'8")
Tooth	mm (ft/in)	4752 (15'7")	4672 (15'4")	4693 (15'5")
Digging Depth	mm (in)	264 (10")	264 (10")	279 (11")
Overall Length – Bucket Level Ground (Tooth)	mm (ft/in)	12 850 (42'2")	12 770 (41'11")	12 800 (42'0")
Turning Radius – Corner SAE Carry (Tooth)	mm (ft/in)	8953 (29'4")	8931 (29'4")	8945 (29'4")
Clearance at 45° Dump and 2.13 m (7 ft 0 in) Height				
Edge	mm (ft/in)	2323 (7'7")	2323 (7'7")	2298 (7'6")
Tooth	mm (ft/in)	2130 (7'0")	2130 (7'0")	2130 (7'0")
Reach at 45° Dump and 2.13 m (7 ft 0 in) Height				
Edge	mm (ft/in)	3203 (10'6")	3169 (10'5")	3188 (10'5")
Tooth	mm (ft/in)	3387 (11'1")	3353 (11'0")	3346 (11'0")
Full Dump at Maximum Lift	degrees	-48.5	-48.5	-48.5
Tipping Load* at Operating Weight				
Straight	kg (lb)	30 071 (66,296)	30 292 (66,783)	29 202 (64,380)
Articulated 35°	kg (lb)	25 633 (56,512)	25 855 (56,999)	24 765 (54,598)
Articulated 43°	kg (lb)	23 651 (52,142)	23 873 (52,631)	22 785 (50,231)
Tipping Load** at Operating Weight				
Straight	kg (lb)	31 441 (69,316)	31 654 (69,785)	30 559 (67,371)
Articulated 43°	kg (lb)	26 230 (57,827)	26 438 (58,286)	25 339 (55,863)
Articulated 35°	kg (lb)	27 933 (61,582)	28 143 (62,045)	27 045 (59,624)
Breakout Force – SAE Rated	kg (lb)	44 873 (98,928)	46 770 (103,110)	44 969 (99,139)
Operating Weight	kg (lb)	51 172 (112,815)	51 014 (112,467)	52 121 (114,908)
Weight Distribution at SAE Carry				
Front	kg (lb)	26 736 (58,943)	26 438 (58,286)	28 473 (62,772)
Rear	kg (lb)	24 436 (53,872)	24 576 (54,181)	23 648 (52,135)

Note: Tire spec used for Tipping Load specifications includes 35/65R33 (L-4) Michelin XLDD1 tires.

*Tipping Loads were calculated within the guidelines of ISO 14397-1:2007 to include tire squash (Tire pressure at 634 kPa [92 psi]).

**Tipping Load is calculated without tire squash.

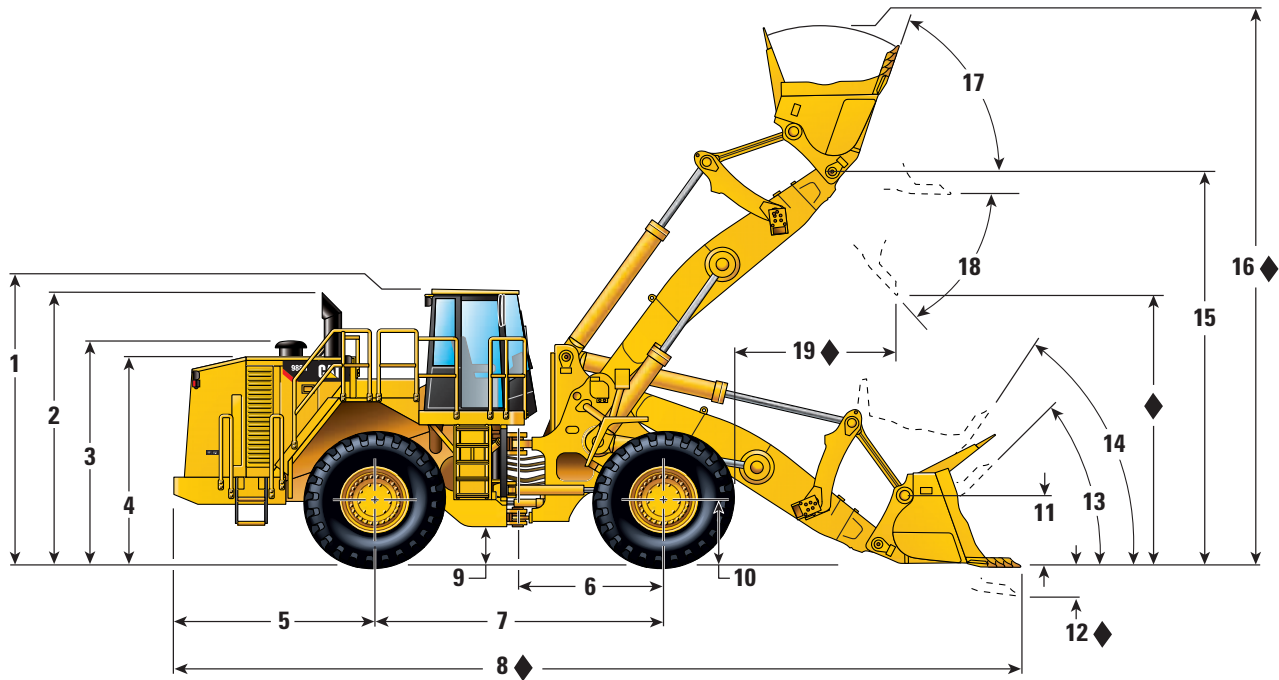
988H Wheel Loader

Tire Dimensions/Specifications

	Width over Tires		Ground Clearance		Change in Vertical Dimensions		Change in Full Turn Static Tipping Load	
	mm	inches	mm	inches	mm	inches	kg	lb
35/65R33 (L-4) Michelin XLDD1	3598	140.1	526	20.7	0	0	0	0
35/65-33 42 PR (L-5) Bridgestone D-Lug	3541	139.4	565	22.2	39	1.5	1855	4,090
35/65R33 (L-4) Bridgestone V-Steel N Traction VSNT	3569	140.5	541	21.3	15	0.6	287	633
35/65R33 (L-5) Bridgestone V-Steel D-Lug VSDL	3540	139.4	541	21.3	15	0.6	911	2,008
35/65-33 42PR (L-5) Goodyear NRL D/L 5A	3487	137.3	553	21.8	27	1.1	2144	4,727
875/65R33 (L-5) RL-5K	3536	139.2	543	21.4	17	0.7	1036	2,284
35/65R33 (L-5) Michelin XLDD2	3549	139.7	536	21.1	10	0.4	242	534

988H Wheel Loader

Dimensions



4.25 Meter Linkage

◆ Dimensions vary with bucket. Refer to Operation/Bucket Specifications.

1	Height to Top of Cab	4105 mm	13.47 ft
2	Height to Top of Exhaust Stacks	4089 mm	13.42 ft
3	Height to Top of Air Cleaner	3359 mm	11.02 ft
4	Height to Top of Hood	3133 mm	10.28 ft
5	Center Line of Rear Axle to Edge of Rear Bumper	3132 mm	10.28 ft
6	Center Line of Front Axle to Hitch	2275 mm	7.46 ft
7	Wheel Base Length	4550 mm	14.93 ft
8	Length with Bucket on Ground	◆	◆
9	Ground Clearance	526 mm	1.73 ft
10	Height to Center of Wheel	955 mm	3.13 ft
11	C-Pin Height**	1157 mm	3.8 ft
12	Dig Depth	264 mm 232 mm*	10 in 9 in*
13	Rack Back Angle at Ground		47.8° 45.7°*
14	Rack Back Angle at Carry		58.7° 54.5°*
15	B-Pin Height	5830 mm 5417 mm*	19.13 ft 17.77 ft*
16	Overall Height with Bucket Raised	◆ ◆*	◆ ◆*
17	Rack Back Angle at Maximum Lift		73°
18	Dump Angle at Maximum Lift		48.5° 51.4°*
19	Reach	◆	◆

*3.88 Meter Linkage

**Same for both 3.88 and 4.25 Meter Linkage