

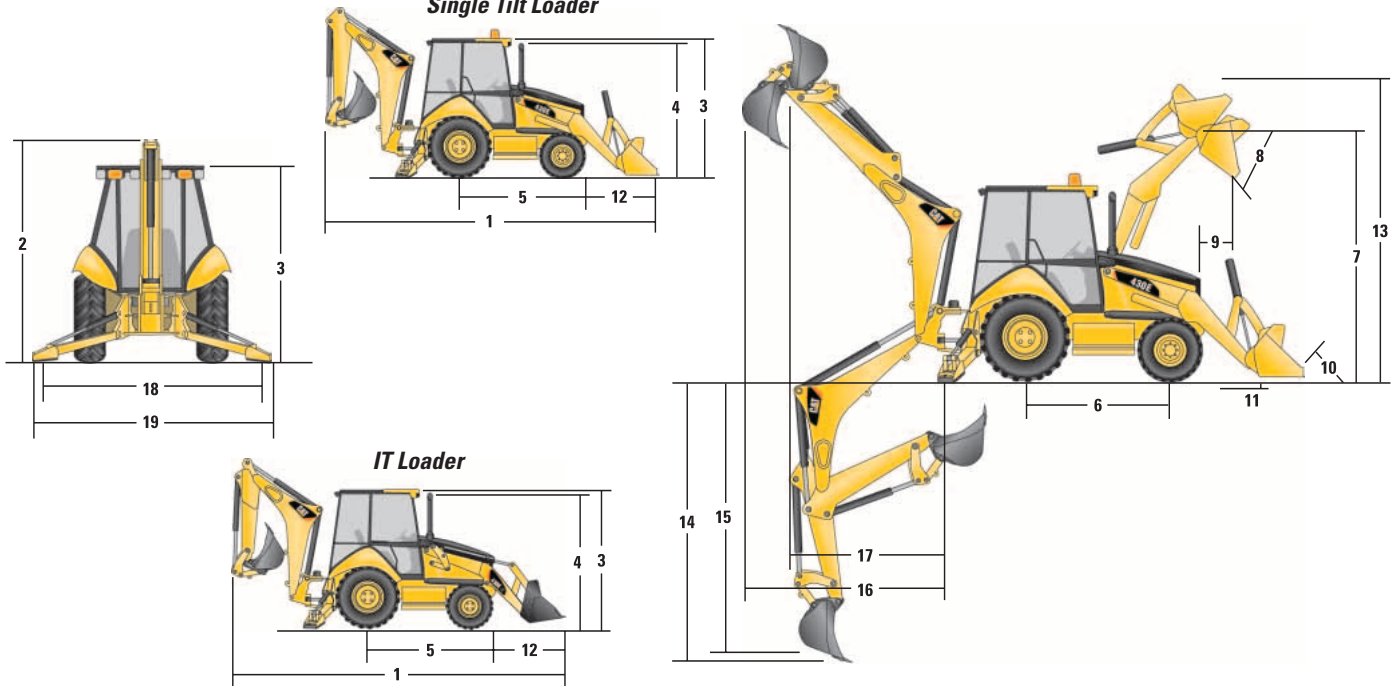
# 430E/430E IT Backhoe Loader

## Machine Dimensions

	Single Tilt Loader							
	General Purpose (0.96 m <sup>3</sup> /1.25 yd <sup>3</sup> )		General Purpose (1.00 m <sup>3</sup> /1.31 yd <sup>3</sup> )		General Purpose (1.07 m <sup>3</sup> /1.40 yd <sup>3</sup> )		General Purpose (1.15 m <sup>3</sup> /1.50 yd <sup>3</sup> )	
	mm	ft/in	mm	ft/in	mm	ft/in	mm	ft/in
(1) Overall length (loader on ground)	7355	24 ft 2 in	7303	24 ft 0 in	7366	24 ft 2 in	7366	24 ft 2 in
Overall transport length	7332	24 ft 1 in	7356	24 ft 2 in	7424	24 ft 4 in	7424	24 ft 4 in
(2) Overall transport height (standard stick)	3577	11 ft 9 in	3866	12 ft 8 in	3866	12 ft 8 in	3866	12 ft 8 in
Overall transport height (extendible stick)	3631	11 ft 11 in	3890	12 ft 9 in	3890	12 ft 9 in	3890	12 ft 9 in
Overall width	2322	7 ft 7 in	2322	7 ft 7 in	2322	7 ft 7 in	2322	7 ft 7 in
(3) Height to top of cab/canopy	2819	9 ft 3 in	2819	9 ft 3 in	2819	9 ft 3 in	2819	9 ft 3 in
(4) Height to top of exhaust stack	2754	9 ft 0 in	2754	9 ft 0 in	2754	9 ft 0 in	2754	9 ft 0 in
Height to loader hinge pin (transport)	360	1 ft 2 in	365	1 ft 2 in	407	1 ft 4 in	407	1 ft 4 in
Ground clearance (minimum)	320	1 ft 1 in	320	1 ft 1 in	320	1 ft 1 in	320	1 ft 1 in
(5) Rear axle centerline to front grill	2705	8 ft 10 in	2704	8 ft 10 in	2704	8 ft 10 in	2704	8 ft 10 in
Front wheel tread gauge	1880	6 ft 2 in	1880	6 ft 2 in	1880	6 ft 2 in	1880	6 ft 2 in
Rear wheel tread gauge	1727	5 ft 8 in	1727	5 ft 8 in	1727	5 ft 8 in	1727	5 ft 8 in
(6) Wheelbase 4WD	2200	7 ft 3 in	2200	7 ft 3 in	2200	7 ft 3 in	2200	7 ft 3 in

Dimensions and performance specifications shown are for machines equipped with 12.5/80-18 SGL front tires, 19.5L-24 IT525 rear tires, ROPS canopy, standard stick with 610 mm (24 inch) standard duty bucket, and 0.96 m<sup>3</sup> (1.25 yd<sup>3</sup>) loader bucket and standard equipment unless otherwise specified.

Single Tilt Loader



# 430E/430E IT Backhoe Loader

## Machine Dimensions

	Single Tilt Loader							
	Multi Purpose (0.96 m <sup>3</sup> /1.25 yd <sup>3</sup> )		Multi Purpose (1.03 m <sup>3</sup> /1.35 yd <sup>3</sup> )		Multi Purpose with Forks (1.00 m <sup>3</sup> /1.31 yd <sup>3</sup> )		Multi Purpose with Forks (1.07 m <sup>3</sup> /1.40 yd <sup>3</sup> )	
	mm	ft/in	mm	ft/in	mm	ft/in	mm	ft/in
(1) Overall length (loader on ground)	7271	23 ft 10 in	7271	23 ft 10 in	7271	23 ft 10 in	7271	23 ft 10 in
Overall transport length	7296	23 ft 11 in	7296	23 ft 11 in	7296	23 ft 11 in	7296	23 ft 11 in
(2) Overall transport height (standard stick)	3577	11 ft 9 in	3577	11 ft 9 in	3577	11 ft 9 in	3577	11 ft 9 in
Overall transport height (extendible stick)	3631	11 ft 11 in	3631	11 ft 11 in	3631	11 ft 11 in	3631	11 ft 11 in
Overall width	2322	7 ft 7 in	2322	7 ft 7 in	2322	7 ft 7 in	2322	7 ft 7 in
(3) Height to top of cab/canopy	2819	9 ft 3 in	2819	9 ft 3 in	2819	9 ft 3 in	2819	9 ft 3 in
(4) Height to top of exhaust stack	2754	9 ft 0 in	2754	9 ft 0 in	2754	9 ft 0 in	2754	9 ft 0 in
Height to loader hinge pin (transport)	412	1 ft 4 in	412	1 ft 4 in	412	1 ft 4 in	412	1 ft 4 in
Ground clearance (minimum)	320	1 ft 1 in	320	1 ft 1 in	320	1 ft 1 in	320	1 ft 1 in
(5) Rear axle centerline to front grill	2705	8 ft 10 in	2705	8 ft 10 in	2705	8 ft 10 in	2705	8 ft 10 in
Front wheel tread gauge	1880	6 ft 2 in	1880	6 ft 2 in	1880	6 ft 2 in	1880	6 ft 2 in
Rear wheel tread gauge	1727	5 ft 8 in	1727	5 ft 8 in	1727	5 ft 8 in	1727	5 ft 8 in
(6) Wheelbase 4WD	2200	7 ft 3 in	2200	7 ft 3 in	2200	7 ft 3 in	2200	7 ft 3 in

	IT Loader with Quick Coupler					
	General Purpose (0.96 m <sup>3</sup> /1.25 yd <sup>3</sup> )		General Purpose (1.00 m <sup>3</sup> /1.31 yd <sup>3</sup> )		General Purpose (1.15 m <sup>3</sup> /1.50 yd <sup>3</sup> )	
	mm	ft/in	mm	ft/in	mm	ft/in
(1) Overall length (loader on ground)	7464	24 ft 6 in	7412	24 ft 4 in	7455	24 ft 6 in
Overall transport length	7419	24 ft 4 in	7447	24 ft 5 in	7471	24 ft 6 in
(2) Overall transport height (standard stick)	3577	11 ft 9 in	3866	12 ft 8 in	3866	12 ft 8 in
Overall transport height (extendible stick)	3631	11 ft 11 in	3890	12 ft 9 in	3890	12 ft 9 in
Overall width	2322	7 ft 7 in	2322	7 ft 7 in	2322	7 ft 7 in
(3) Height to top of cab/canopy	2819	9 ft 3 in	2819	9 ft 3 in	2819	9 ft 3 in
(4) Height to top of exhaust stack	2754	9 ft 0 in	2754	9 ft 0 in	2754	9 ft 0 in
Height to loader hinge pin (transport)	369	1 ft 3 in	382	1 ft 3 in	359	1 ft 2 in
Ground clearance (minimum)	320	1 ft 1 in	320	1 ft 1 in	320	1 ft 1 in
(5) Rear axle centerline to front grill	2705	8 ft 10 in	2704	8 ft 10 in	2704	8 ft 10 in
Front wheel tread gauge	1880	6 ft 2 in	1880	6 ft 2 in	1880	6 ft 2 in
Rear wheel tread gauge	1727	5 ft 8 in	1727	5 ft 8 in	1727	5 ft 8 in
(6) Wheelbase 4WD	2200	7 ft 3 in	2200	7 ft 3 in	2200	7 ft 3 in

Dimensions and performance specifications shown are for machines equipped with 12.5/80-18 SGL front tires, 19.5L-24 IT525 rear tires, ROPS canopy, standard stick with 610 mm (24 inch) standard duty bucket, and 0.96 m<sup>3</sup> (1.25 yd<sup>3</sup>) loader bucket and standard equipment unless otherwise specified.

# 430E/430E IT Backhoe Loader

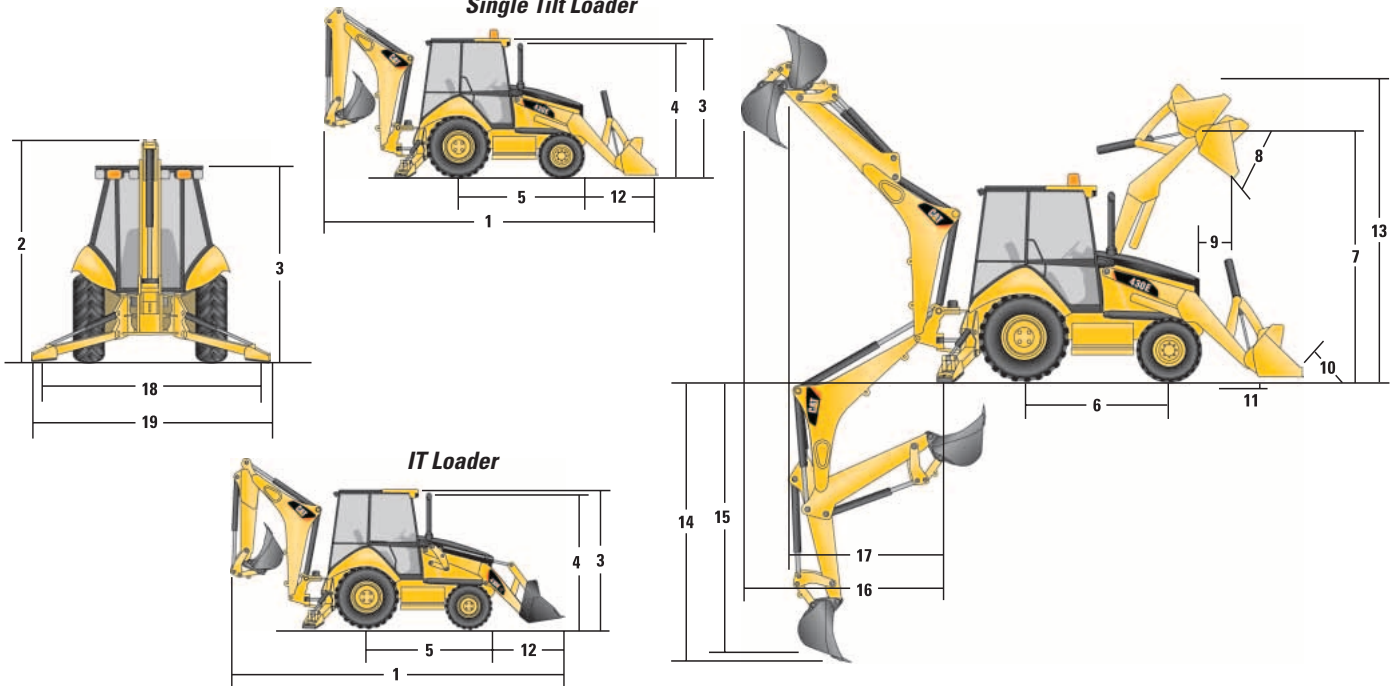
## Machine Dimensions

### IT Loader with Quick Coupler

	Multi Purpose (0.96 m <sup>3</sup> /1.25 yd <sup>3</sup> )		Multi Purpose (1.03 m <sup>3</sup> /1.35 yd <sup>3</sup> )	
	mm	ft/in	mm	ft/in
(1) Overall length (loader on ground)	7372	24 ft 2 in	7372	24 ft 2 in
Overall transport length	7349	24 ft 1 in	7349	24 ft 1 in
(2) Overall transport height (standard stick)	3577	11 ft 9 in	3577	11 ft 9 in
Overall transport height (extendible stick)	3631	11 ft 11 in	3631	11 ft 11 in
Overall width	2322	7 ft 7 in	2322	7 ft 7 in
(3) Height to top of cab/canopy	2819	9 ft 3 in	2819	9 ft 3 in
(4) Height to top of exhaust stack	2754	9 ft 0 in	2754	9 ft 0 in
Height to loader hinge pin (transport)	359	1 ft 2 in	359	1 ft 2 in
Ground clearance (minimum)	320	1 ft 1 in	320	1 ft 1 in
(5) Rear axle centerline to front grill	2705	8 ft 10 in	2705	8 ft 10 in
Front wheel tread gauge	1880	6 ft 2 in	1880	6 ft 2 in
Rear wheel tread gauge	1727	5 ft 8 in	1727	5 ft 8 in
(6) Wheelbase 4WD	2200	7 ft 3 in	2200	7 ft 3 in

Dimensions and performance specifications shown are for machines equipped with 12.5/80-18 SGL front tires, 19.5L-24 IT525 rear tires, ROPS canopy, standard stick with 610 mm (24 inch) standard duty bucket, and 0.96 m<sup>3</sup> (1.25 yd<sup>3</sup>) loader bucket and standard equipment unless otherwise specified.

**Single Tilt Loader**



# 430E/430E IT Backhoe Loader

## Loader Bucket Dimensions and Performance

	Single Tilt Loader							
	General Purpose (0.96 m <sup>3</sup> /1.25 yd <sup>3</sup> )		General Purpose (1.00 m <sup>3</sup> /1.31 yd <sup>3</sup> )		General Purpose (1.07 m <sup>3</sup> /1.40 yd <sup>3</sup> )		General Purpose (1.15 m <sup>3</sup> /1.50 yd <sup>3</sup> )	
Capacity (SAE rated)	0.96 m <sup>3</sup>	1.25 yd <sup>3</sup>	1.00 m <sup>3</sup>	1.31 yd <sup>3</sup>	1.07 m <sup>3</sup>	1.40 yd	1.15 m <sup>3</sup>	1.50 yd <sup>3</sup>
Overall bucket width	2262 mm	7 ft 5 in	2406 mm	7 ft 11 in	2262 mm	7 ft 5 in	2406 mm	7 ft 11 in
Lift capacity at maximum height	2811 kg	6,197 lb	2937 kg	6,475 lb	2868 kg	6,323 lb	2849 kg	6,281 lb
Breakout force	44.3 kN	9,973 lb	46.3 kN	10,401 lb	45.1 kN	10,130 lb	44.9 kN	10,091 lb
(7) Maximum hinge pin height	3296 mm	10 ft 10 in	3296 mm	10 ft 10 in	3296 mm	10 ft 10 in	3296 mm	10 ft 10 in
(8) Dump angle at full height	44°		44°		44°		44°	
Dump height at maximum angle	2553 mm	8 ft 7 in	2604 mm	8 ft 7 in	2550 mm	8 ft 4 in	2550 mm	8 ft 4 in
(9) Dump reach at maximum angle	785 mm	2 ft 8 in	821 mm	2 ft 8 in	819 mm	2 ft 8 in	819 mm	2 ft 8 in
(10) Maximum bucket rollback at ground level	39°		39°		40°		40°	
(11) Digging depth	106 mm	4 in	106 mm	4 in	146 mm	6 in	146 mm	6 in
Maximum grading angle	108°		108°		108°		108°	
Width of dozer cutting edge	N/A	N/A	N/A	N/A	N/A	N/A	N/A	N/A
(12) Grill to bucket cutting edge, carry position	1508 mm	4 ft 11 in	1484 mm	4 ft 10 in	1551 mm	5 ft 1 in	1551 mm	5 ft 1 in
(13) Maximum operating height	4177 mm	13 ft 8 in	4193 mm	13 ft 9 in	4237 mm	13 ft 11 in	4237 mm	13 ft 11 in
Jaw opening maximum	N/A	N/A	N/A	N/A	N/A	N/A	N/A	N/A
Bucket jaw clamping force	N/A	N/A	N/A	N/A	N/A	N/A	N/A	N/A
Weight (does not include teeth or forks)	451 kg	994 lb	449 kg	989 lb	459 kg	1,012 lb	479 kg	1,056 lb

	Single Tilt Loader							
	Multi Purpose (0.96 m <sup>3</sup> /1.25 yd <sup>3</sup> )		Multi Purpose (1.03 m <sup>3</sup> /1.35 yd <sup>3</sup> )		Multi Purpose with Forks (1.00 m <sup>3</sup> /1.31 yd <sup>3</sup> )		Multi Purpose with Forks (1.07 m <sup>3</sup> /1.40 yd <sup>3</sup> )	
Capacity (SAE rated)	0.96 m <sup>3</sup>	1.25 yd <sup>3</sup>	1.03 m <sup>3</sup>	1.35 yd <sup>3</sup>	1.00 m <sup>3</sup>	1.31 yd <sup>3</sup>	1.07 m <sup>3</sup>	1.40 yd <sup>3</sup>
Overall bucket width	2279 mm	7 ft 6 in	2425 mm	7 ft 11 in	2279 mm	7 ft 6 in	2425 mm	7 ft 11 in
Lift capacity at maximum height	2615 kg	5,765 lb	2586 kg	5,701 lb	2499 kg	5,508 lb	2470 kg	5,445 lb
Breakout force	46.9 kN	10,547 lb	46.7 kN	10,514 lb	46.0 kN	10,341 lb	45.8 kN	10,308 lb
(7) Maximum hinge pin height	3296 mm	10 ft 10 in	3296 mm	10 ft 10 in	3296 mm	10 ft 10 in	3296 mm	10 ft 10 in
(8) Dump angle at full height	46°		46°		46°		46°	
Dump height at maximum angle	2607 mm	8 ft 7 in	2607 mm	8 ft 7 in	2607 mm	8 ft 7 in	2607 mm	8 ft 7 in
(9) Dump reach at maximum angle	694 mm	2 ft 3 in	694 mm	2 ft 3 in	694 mm	2 ft 3 in	694 mm	2 ft 3 in
(10) Maximum bucket rollback at ground level	40°		40°		40°		40°	
(11) Digging depth	133 mm	5 in	133 mm	5 in	133 mm	5 in	133 mm	5 in
Maximum grading angle	113°		113°		113°		113°	
Width of dozer cutting edge	2262 mm	7 ft 5 in	2406 mm	7 ft 11 in	2262 mm	7 ft 5 in	2406 mm	7 ft 11 in
(12) Grill to bucket cutting edge, carry position	1473 mm	4 ft 10 in	1473 mm	4 ft 10 in	1473 mm	4 ft 10 in	1473 mm	4 ft 10 in
(13) Maximum operating height	4226 mm	13 ft 10 in	4226 mm	13 ft 10 in	4700 mm	15 ft 5 in	4700 mm	15 ft 5 in
Jaw opening maximum	790 mm	2 ft 7 in	790 mm	2 ft 7 in	790 mm	2 ft 7 in	790 mm	2 ft 7 in
Bucket jaw clamping force	55.7 kN	12,521 lb	55.7 kN	12,521 lb	55.7 kN	12,521 lb	55.7 kN	12,521 lb
Weight (does not include teeth or forks)	745 kg	1,642 lb	774 kg	1,706 lb	915 kg	2,017 lb	936 kg	2,064 lb

Dimensions and performance specifications shown are for machines equipped with 12.5/80-18 SGL front tires, 19.5L-24 IT525 rear tires, ROPS canopy, standard stick with 610 mm (24 inch) standard duty bucket, and 0.96 m<sup>3</sup> (1.25 yd<sup>3</sup>) loader bucket and standard equipment unless otherwise specified.

# 430E/430E IT Backhoe Loader

## Loader Bucket Dimensions and Performance

	IT Loader with Quick Coupler					
	General Purpose (0.96 m <sup>3</sup> /1.25 yd <sup>3</sup> )		General Purpose (1.00 m <sup>3</sup> /1.31 yd <sup>3</sup> )		General Purpose (1.15 m <sup>3</sup> /1.50 yd <sup>3</sup> )	
Capacity (SAE rated)	0.96 m <sup>3</sup>	1.25 yd <sup>3</sup>	1.00 m <sup>3</sup>	1.31 yd <sup>3</sup>	1.15 m <sup>3</sup>	1.50 yd <sup>3</sup>
Overall bucket width	2262 mm	7 ft 5 in	2406 mm	7 ft 11 in	2406 mm	7 ft 11 in
Lift capacity at maximum height	3056 kg	6,737 lb	3162 kg	6,971 lb	3131 kg	6,903 lb
Breakout force	45.8 kN	10,305 lb	47.5 kN	10,672 lb	46.8 kN	10,525 lb
(7) Maximum hinge pin height	3316 mm	10 ft 11 in	3329 mm	10 ft 11 in	3329 mm	10 ft 11 in
(8) Dump angle at full height	45°		45°		45°	
Dump height at maximum angle	2492 mm	8 ft 2 in	2539 mm	8 ft 4 in	2509 mm	8 ft 3 in
(9) Dump reach at maximum angle	802 mm	2 ft 8 in	799 mm	2 ft 7 in	830 mm	2 ft 9 in
(10) Maximum bucket rollback at ground level	40°		40°		40°	
(11) Digging depth	153 mm	6 in	147 mm	6 in	146 mm	6 in
Maximum grading angle	108°		110°		108°	
Width of dozer cutting edge	N/A	N/A	N/A	N/A	N/A	N/A
(12) Grill to bucket cutting edge, carry position	1595 mm	5 ft 3 in	1575 mm	5 ft 2 in	1598 mm	5 ft 3 in
(13) Maximum operating height	4234 mm	13 ft 11 in	4256 mm	14 ft 0 in	4335 mm	14 ft 3 in
Jaw opening maximum	N/A	N/A	N/A	N/A	N/A	N/A
Bucket jaw clamping force	N/A	N/A	N/A	N/A	N/A	N/A
Weight (does not include teeth or forks)	447 kg	985 lb	444 kg	978 lb	468 kg	1,032 lb

	IT Loader with Quick Coupler			
	Multi Purpose (0.96 m <sup>3</sup> /1.25 yd <sup>3</sup> )		Multi Purpose (1.03 m <sup>3</sup> /1.35 yd <sup>3</sup> )	
Capacity (SAE rated)	0.96 m <sup>3</sup>	1.25 yd <sup>3</sup>	1.03 m <sup>3</sup>	1.35 yd <sup>3</sup>
Overall bucket width	2279 mm	7 ft 6 in	2425 mm	7 ft 11 in
Lift capacity at maximum height	2800 kg	6,174 lb	2771 kg	6,110 lb
Breakout force	44.5 kN	10,020 lb	44.4 kN	9,983 lb
(7) Maximum hinge pin height	3316 mm	10 ft 11 in	3316 mm	10 ft 11 in
(8) Dump angle at full height	45°		45°	
Dump height at maximum angle	2559 mm	8 ft 5 in	2559 mm	8 ft 5 in
(9) Dump reach at maximum angle	748 mm	2 ft 5 in	748 mm	2 ft 5 in
(10) Maximum bucket rollback at ground level	40°		40°	
(11) Digging depth	144 mm	6 in	144 mm	6 in
Maximum grading angle	111°		111°	
Width of dozer cutting edge	2262 mm	7 ft 5 in	2406 mm	7 ft 11 in
(12) Grill to bucket cutting edge, carry position	1526 mm	5 ft 0 in	1526 mm	5 ft 0 in
(13) Maximum operating height	4306 mm	14 ft 2 in	4306 mm	14 ft 2 in
Jaw opening maximum	790 mm	2 ft 7 in	790 mm	2 ft 7 in
Bucket jaw clamping force	55.7 kN	12,521 lb	55.7 kN	12,521 lb
Weight (does not include teeth or forks)	724 kg	1,596 lb	753 kg	1,660 lb

Dimensions and performance specifications shown are for machines equipped with 12.5/80-18 SGL front tires, 19.5L-24 IT525 rear tires, ROPS canopy, standard stick with 610 mm (24 inch) standard duty bucket, and 0.96 m<sup>3</sup> (1.25 yd<sup>3</sup>) loader bucket and standard equipment unless otherwise specified.

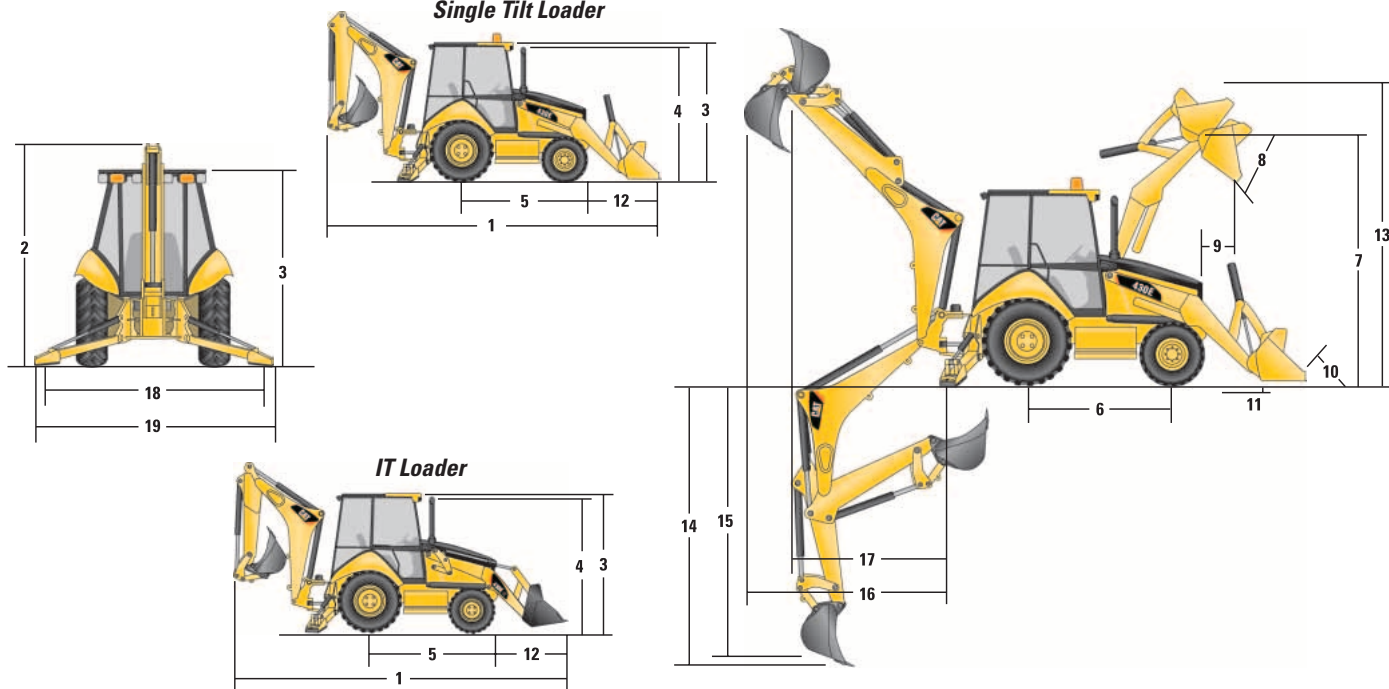
# 430E/430E IT Backhoe Loader

## Backhoe Dimensions and Performance

	Standard Stick		E-Stick Retracted		E-Stick Extended	
(14) Digging depth, SAE (max.)	4698 mm	15 ft 5 in	4809 mm	15 ft 9 in	5951 mm	19 ft 6 in
(15) Digging depth, 610 mm (2 ft) flat bottom	4672 mm	15 ft 4 in	4783 mm	15 ft 8 in	5925 mm	19 ft 5 in
Reach from rear axle centerline at ground line	7152 mm	23 ft 6 in	7257 mm	23 ft 10 in	8350 mm	27 ft 5 in
(16) Reach from swing pivot at ground line	6049 mm	19 ft 10 in	6154 mm	20 ft 2 in	7247 mm	23 ft 9 in
Maximum operating height	6009 mm	19 ft 9 in	6096 mm	20 ft 0 in	6990 mm	22 ft 11 in
Loading height	3956 mm	13 ft 0 in	3912 mm	12 ft 10 in	4520 mm	14 ft 10 in
(17) Loading reach	1774 mm	5 ft 10 in	1948 mm	6 ft 5 in	2916 mm	9 ft 7 in
Swing arc	180°		180°		180°	
Bucket rotation	205°		205°		205°	
(18) Stabilizer spread, operating position (center)	3310 mm	10 ft 10 in	3310 mm	10 ft 10 in	3310 mm	10 ft 10 in
(19) Stabilizer spread, operating position (outside)	3770 mm	12 ft 4 in	3770 mm	12 ft 4 in	3770 mm	12 ft 4 in
Stabilizer spread, transport position	2322 mm	7 ft 7 in	2322 mm	7 ft 7 in	2322 mm	7 ft 7 in
Bucket dig force	70.7 kN	15,892 lb	69.7 kN	15,680 lb	69.7 kN	15,680 lb
Stick dig force	44.2 kN	9,940 lb	43.3 kN	9,730 lb	32.0 kN	7,197 lb

Dimensions and performance specifications shown are for machines equipped with 12.5/80-18 SGL front tires, 19.5L-24 IT525 rear tires, ROPS canopy, standard stick with 610 mm (24 inch) standard duty bucket, and 0.96 m<sup>3</sup> (1.25 yd<sup>3</sup>) loader bucket and standard equipment unless otherwise specified.

**Single Tilt Loader**



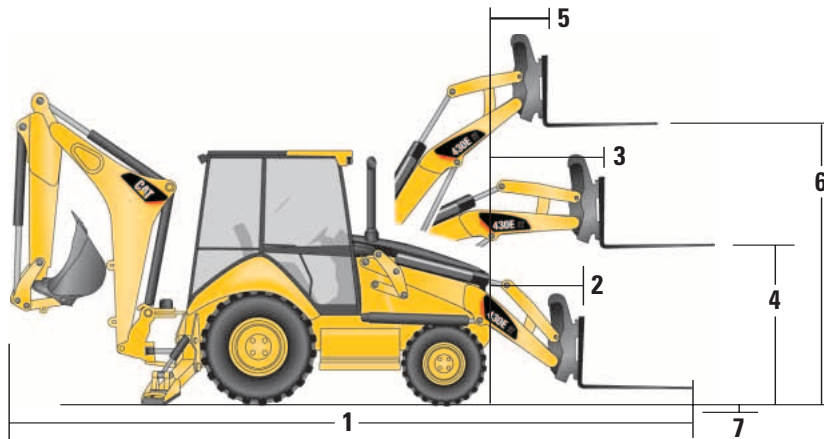
# 430E/430E IT Backhoe Loader

## Dimensions with Forks

Fork Tine Length	1070 mm/3 ft 6 in		1220 mm/4 ft 0 in		1370 mm/4 ft 10 in	
Operating load (SAE J1197)	2403 kg*	5,298 lb*	2258 kg	4,978 lb	2089 kg	4,604 lb
SAE load center	535 mm	1 ft 9 in	610 mm	2 ft 0 in	685 mm	2 ft 3 in
Operating load (CEN 474-4)	2428 kg	5,353 lb	2406 kg	5,304 lb	2382 kg	5,252 lb
CEN load center	500 mm	1 ft 8 in	500 mm	1 ft 8 in	500 mm	1 ft 8 in
(1) Overall length (forks on ground)	7857 mm	25 ft 9 in	8007 mm	26 ft 3 in	8157 mm	26 ft 9 in
(2) Reach at ground (from grill to heel of fork)	985 mm	3 ft 3 in	985 mm	3 ft 3 in	985 mm	3 ft 3 in
(3) Maximum reach (from grill to heel of fork)	1427 mm	4 ft 8 in	1427 mm	4 ft 8 in	1427 mm	4 ft 8 in
(4) Fork height at maximum reach	1458 mm	4 ft 9 in	1458 mm	4 ft 9 in	1458 mm	4 ft 9 in
(5) Reach at maximum height (from grill to heel of fork)	665 mm	2 ft 2 in	665 mm	2 ft 2 in	665 mm	2 ft 2 in
(6) Maximum fork height	3238 mm	10 ft 7 in	3238 mm	10 ft 7 in	3238 mm	10 ft 7 in
(7) Maximum fork depth (below ground level)	20 mm	1 in	20 mm	1 in	20 mm	1 in

\*Tip limited.

Dimensions and performance specifications shown are for machines equipped with 12.5/80-18 SGL front tires, 19.5L-24 IT525 rear tires, ROPS canopy, standard stick with 610 mm (24 inch) standard duty bucket, and 0.96 m<sup>3</sup> (1.25 yd<sup>3</sup>) loader bucket and standard equipment unless otherwise specified.



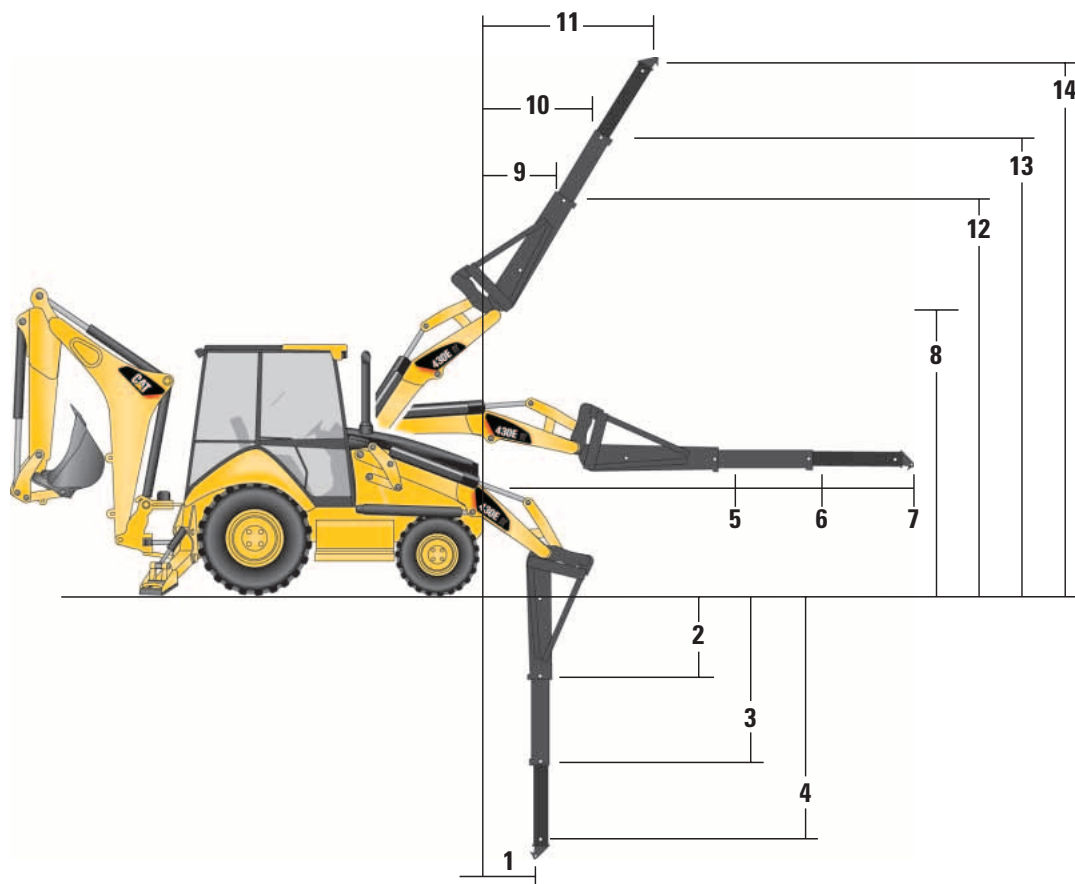
# 430E/430E IT Backhoe Loader

## Dimensions with Material Handling Arm

Material Handling Arm Position	Retracted		Mid-Position		Extended	
Operating load (SAE J1197 and CEN 474-4)*	906 kg	1,998 lb	572 kg	1,261 lb	418 kg	921 lb
Overall length, maximum	8948 mm	29 ft 4 in	9948 mm	32 ft 8 in	10 947 mm	35 ft 11 in
(1) Reach at maximum depth (from machine nose)	585 mm	1 ft 11 in	585 mm	1 ft 11 in	585 mm	1 ft 11 in
(2, 3, 4) Maximum depth	1998 mm	6 ft 7 in	2996 mm	9 ft 10 in	3996 mm	13 ft 1 in
(5, 6, 7) Maximum reach (from machine nose)	3147 mm	10 ft 4 in	4145 mm	13 ft 7 in	5145 mm	16 ft 11 in
(8) Height at maximum reach	1549 mm	5 ft 1 in	1549 mm	5 ft 1 in	1549 mm	5 ft 1 in
(9, 10, 11) Reach at maximum height (from machine nose)	1462 mm	4 ft 10 in	2000 mm	6 ft 7 in	2541 mm	8 ft 4 in
(12, 13, 14) Maximum height	5051 mm	16 ft 7 in	5892 mm	19 ft 4 in	6733 mm	22 ft 1 in

\*Hydraulically limited.

Dimensions and performance specifications shown are for machines equipped with 12.5/80-18 SGL front tires, 19.5L-24 IT525 rear tires, ROPS canopy, standard stick with 610 mm (24 inch) standard duty bucket, and 0.96 m<sup>3</sup> (1.25 yd<sup>3</sup>) loader bucket and standard equipment unless otherwise specified.



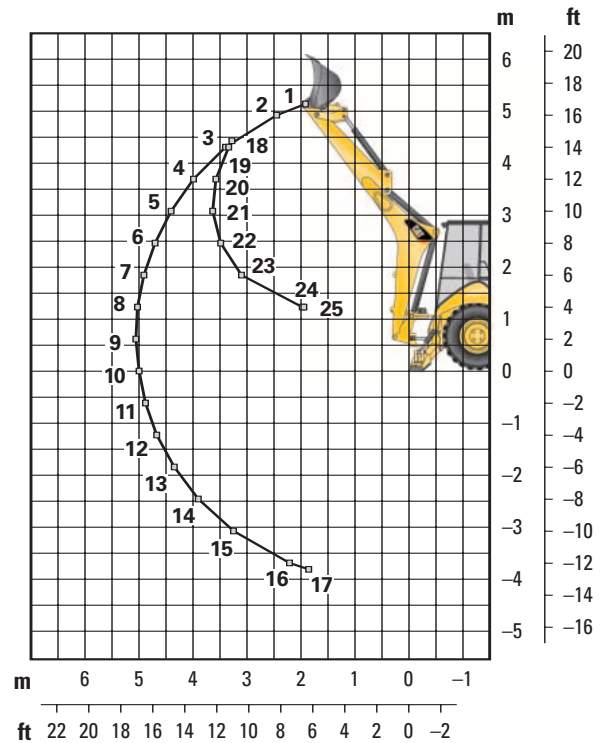


# 430E/430E IT Backhoe Loader

## Backhoe Lift Capacity

### Cat 430E/430E IT Standard Stick

<b>Boom Lifting</b>			
	<b>kg</b>	<b>lb</b>	
<b>1</b>	1469	3,232	
<b>2</b>	1740	3,828	
<b>3</b>	1906	4,193	
<b>4</b>	1901	4,183	
<b>5</b>	1857	4,086	
<b>6</b>	1801	3,962	
<b>7</b>	1715*	3,773*	
<b>8</b>	1648*	3,626*	
<b>9</b>	1619*	3,562*	
<b>10</b>	1577	3,469	
<b>11</b>	1530	3,365	
<b>12</b>	1488	3,273	
<b>13</b>	1452	3,195	
<b>14</b>	1427	3,139	
<b>15</b>	1423	3,130	
<b>16</b>	1507	3,315	
<b>17</b>	1587	3,492	
<b>Stick Lifting</b>			
	<b>kg</b>	<b>lb</b>	
<b>18</b>	2436	5,359	
<b>19</b>	2615	5,754	
<b>20</b>	2684	5,906	
<b>21</b>	2629	5,783	
<b>22</b>	2755	6,061	
<b>23</b>	3139*	6,907*	
<b>24</b>	5259*	11,571*	
<b>25</b>	5368*	11,809*	



Lift Capacities are over-end values. Machine equipped with 4WD, OROPS, 1.00 m<sup>3</sup> (1.31 yd<sup>3</sup>) general purpose bucket, and 116 kg (255 lb) counterweight.

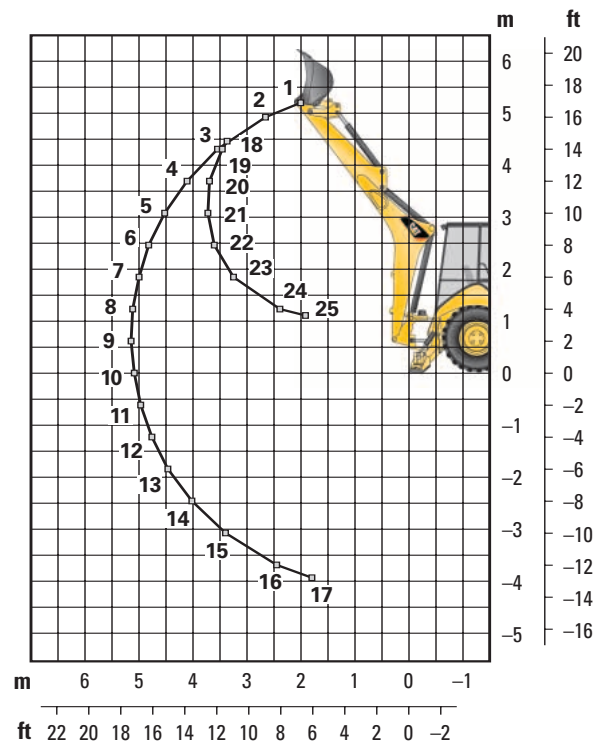
\*Indicates lift capacity is stability limited.

# 430E/430E IT Backhoe Loader

## Backhoe Lift Capacity

### Cat 430E/430E IT Extendible Stick – Retracted

Boom Lifting		
	kg	lb
1	1214	2,670
2	1505	3,311
3	1639	3,606
4	1635	3,598
5	1595	3,510
6	1543	3,395
7	1488	3,273
8	1433	3,152
9	1380	3,036
10	1330	2,927
11	1284	2,826
12	1243	2,735
13	1208	2,657
14	1181	2,598
15	1172	2,578
16	1224	2,693
17	1345	2,959
Stick Lifting		
	kg	lb
18	2142	4,711
19	2348	5,165
20	2400	5,280
21	2350	5,170
22	2457	5,406
23	2817	6,197
24	4270	9,394
25	5815*	12,793*



Lift Capacities are over-end values. Machine equipped with 4WD, OROPS, 1.00 m<sup>3</sup> (1.31 yd<sup>3</sup>) general purpose bucket, and 116 kg (255 lb) counterweight. Extendible stick includes 488 kg (1,075 lb) counterweight.

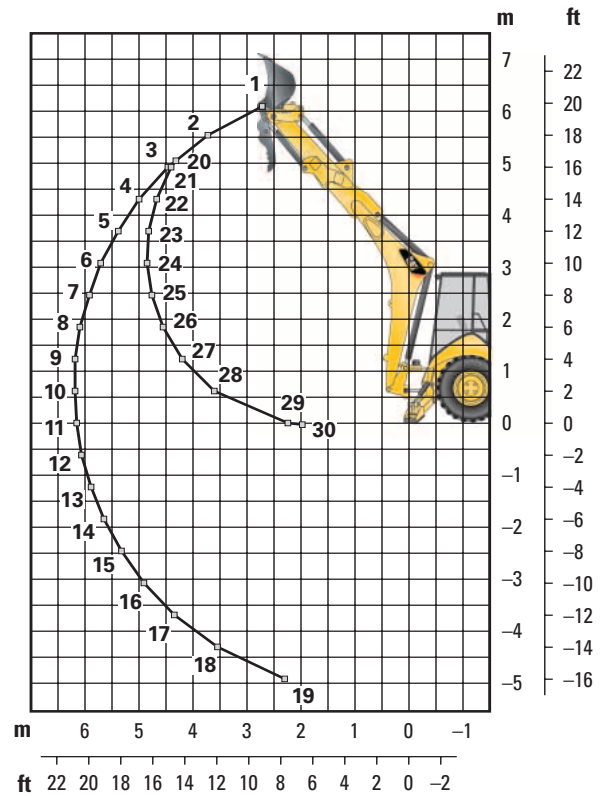
\*Indicates lift capacity is stability limited.

# 430E/430E IT Backhoe Loader

## Backhoe Lift Capacity

### Cat 430E/430E IT Extendible Stick – Extended

<b>Boom Lifting</b>			
	<b>kg</b>	<b>lb</b>	
<b>1</b>	657	1,446	
<b>2</b>	993	2,185	
<b>3</b>	1106	2,433	
<b>4</b>	1143	2,514	
<b>5</b>	1148	2,525	
<b>6</b>	1138	2,503	
<b>7</b>	1120	2,464	
<b>8</b>	1098	2,416	
<b>9</b>	1075	2,364	
<b>10</b>	1051	2,312	
<b>11</b>	1028	2,261	
<b>12</b>	1006	2,213	
<b>13</b>	987	2,171	
<b>14</b>	971	2,135	
<b>15</b>	959	2,110	
<b>16</b>	956	2,102	
<b>17</b>	966	2,125	
<b>18</b>	1011	2,223	
<b>19</b>	1224	2,694	
<b>Stick Lifting</b>			
	<b>kg</b>	<b>lb</b>	
<b>20</b>	1187	2,612	
<b>21</b>	1266	2,786	
<b>22</b>	1553	3,416	
<b>23</b>	1634	3,595	
<b>24</b>	1615	3,553	
<b>25</b>	1650	3,630	
<b>26</b>	1752	3,854	
<b>27</b>	1960	4,312	
<b>28</b>	2419	5,322	
<b>29</b>	4631	10,187	
<b>30</b>	5624*	12,373*	



Lift Capacities are over-end values. Machine equipped with 4WD, OROPS, 1.00 m<sup>3</sup> (1.31 yd<sup>3</sup>) general purpose bucket, and 116 kg (255 lb) counterweight.

Extendible stick includes 488 kg (1,075 lb) counterweight.

\*Indicates lift capacity is stability limited.

# 430E/430E IT Backhoe Loader

## Counterweights

Minimum Counterweight Recommendations

### Standard Stick

Loader Bucket	Power Train	Single-Tilt		IT Loader w/QC	
		kg	lb	kg	lb
GP	4WD	231	510	no counterweight	
MP	4WD	no counterweight		no counterweight	
Forks	4WD	N/A	N/A	no counterweight	
Material Handling Arm	4WD	N/A	N/A	no counterweight	

### Extendible Stick

Loader Bucket	Power Train	Single-Tilt		IT Loader w/QC	
		kg	lb	kg	lb
GP	4WD	488	1,075	488	1,075
MP	4WD	231	510	116	255
Forks	4WD	N/A	N/A	no counterweight	
Material Handling Arm	4WD	N/A	N/A	231	510

## Backhoe Buckets

With weld on adapters and pin-on teeth

### Standard Duty

Width		Rated Capacity		Weight		No. of Teeth
mm	in	L	ft³	kg	lb	
305	12	78	2.8	97	213	3
457	18	118	4.2	115	253	4
610	24	175	6.2	132	290	5
762	30	233	8.2	147	323	5
914	36	292	10.3	165	363	6

### Heavy Duty

Width		Rated Capacity		Weight		No. of Teeth
mm	in	L	ft³	kg	lb	
305	12	78	2.8	105	231	3
406	16	105	3.7	127	279	3
457	18	118	4.2	129	284	4
610	24	175	6.2	151	332	5
762	30	233	8.2	167	367	5
914	36	292	10.3	189	416	6

### Soil Excavation

Width		Rated Capacity		Weight		No. of Teeth
mm	in	L	ft³	kg	lb	
457	18	181	6.4	153	336	4
610	24	241	8.5	179	395	5
762	30	320	11.3	197	434	5
914	36	380	13.4	223	491	6

### Heavy Duty Rock

Width		Rated Capacity		Weight		No. of Teeth
mm	in	L	ft³	kg	lb	
305	12	70	2.5	120	265	3
457	18	127	4.5	150	331	4
610	24	198	7.0	175	386	5
762	30	255	9.5	195	430	5
914	36	311	11.5	210	463	6

### Coral

Width		Rated Capacity		Weight		No. of Teeth
mm	in	L	ft³	kg	lb	
305	12	60	2.1	134	295	4
457	18	100	3.5	155	341	6
610	24	140	4.9	182	402	8
762	30	190	6.7	210	463	10