

FLEXIBLE AND EFFICIENT DEMOLITION

330D, 345C, 365C, 385C ULTRA-HIGH DEMOLITION (UHD)



CATERPILLAR®

A Dynamic and Complex Business



Demolition has changed. It has become a dynamic and increasingly complex business. Today there are few demolition jobs where buildings can simply be knocked, pulled or blown down using traditional tools. What's more, contract periods are becoming shorter, legislation is stricter, environmental pressure is increasing and skilled labor is harder to find. As a consequence, demolition contractors are looking for the most efficient, cost effective and safe methods of deconstructing buildings and structures.



Increasing Productivity throughout the Process

Caterpillar engineers have designed and produced specialized machines with the objective of increasing productivity at every stage of the process. Added to that, our machines have been developed with an emphasis on stability, durability and ease of use. They also come with the backing of your local Cat® dealer. They can help you with finding the right machine and tools for the job and advise you how to get the most out of your equipment.

Ultra High Demolition

	Weight* metric tons/tons	Max pin height mm/in	Max horizontal pin reach mm/in	Max tool weight (over the front)** kg/lb	Max tool weight (360°)** kg/lb
330D UHD (21 m)	47.9/52.8	21 300/839	13 900/547	3000/6,614	2700/5,953
345C UHD (26 m)	66.7/73.5	26 100/1,028	16 400/646	3300/7,275	3000/6,614
345C UHD (28 m)	67.0/73.9	27 900/1,098	18 200/717	2500/5,512	2500/5,512
365C UHD (33 m)	85.7/94.5	33 100/1,303	21 500/847	3000/6,614	2000/4,409
385C UHD (40 m)	98.7/108.8	39 500/1,555	25 200/992	2400/5,291	2100/4,630

* Maximum weight in UHD configuration. Figures are approximate and do not include the tool.

** Includes potential quick coupler and mounting bracket.



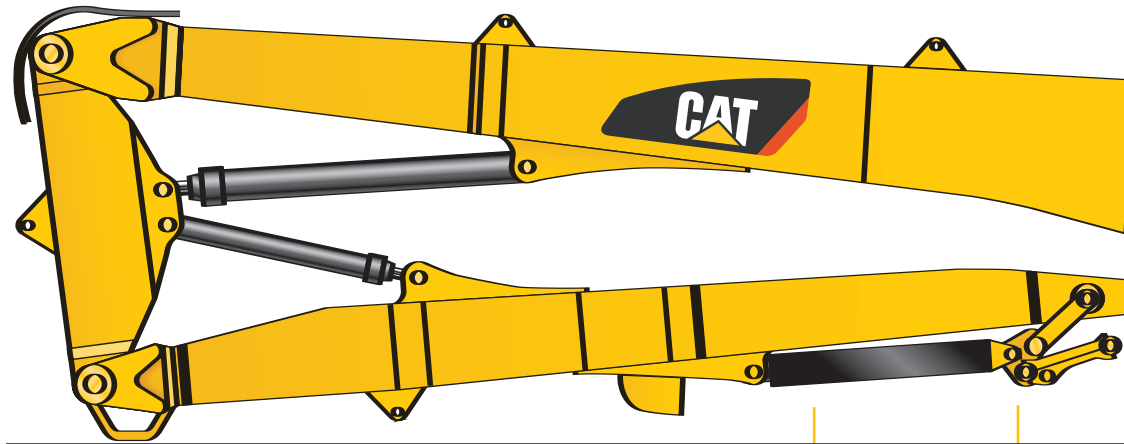
Visual Overview – Index

Hydraulic Quick Disconnects and face-to-face ball valves p. 10

Hydraulic lines are fitted with quick disconnects or face-to-face ball valves to reduce the time needed to change the front parts.

Boom Hook System p. 10

A reliable boom hook system enables to switch from Ultra High Demolition (UHD) front parts to demolition configurations. These retrofit booms can be installed either in bent or in straight position.



Tool Cylinder protection p. 7

Thanks to this metal box, the tool cylinder is protected in all working positions.

Ultra-High Demolition Linkage p. 9

Optimized working range and improved tool controllability, thanks to an UHD-dedicated tool linkage.

Integrated Tilttable

Demolition Cab

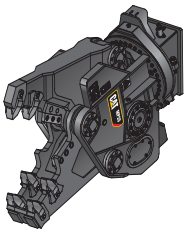
p. 8

Hydraulic cab tilting device for operator comfort. Enhanced upper visibility through larger impact-resistant windows with Falling Object Guard System (FOGS).

Heavy Duty Upper Frame

p. 6

Reinforced structures to withstand the extreme conditions of the demolition applications.



Tools

p. 17

Several tool options maximize versatility.

Undercarriage

p. 11

Hydraulic adjustable undercarriage is standard on the 330D UHD and the 345C UHD. 385 fixed undercarriage is standard on the 385C UHD and the 365C UHD.

Reliability

Several major features make the Caterpillar Ultra High Demolition (UHD) models the most reliable machines in demolition applications.

Upper Frame and Counterweight

Purposely designed and built for extreme conditions.

Reinforced upper frame

The heavy-duty reinforced upper frames of the CAT UHD models are designed to withstand the extreme load conditions of demolition applications. Compared to a standard upper frame, several additional plates provide the durability and strength required in these environments.



Reinforced upper frame

Swing bearing to upper frame bolts

The swing bearing bolts are 20 mm longer on the back half of upper frame for increased joint retention. Bolt grade is increased from 10.9 to 11.9 for increased bolt torque of swing bearing to upper frame and carbody.



Standard



Heavy-duty

Swing bearing bolts

Counterweight

A heavier counterweight balances the swing bearing and provides enhanced stability.

Front Parts

All Caterpillar® booms and sticks have internal baffles which give the structures extra strength and durability. They are designed based on a precise finite element analysis that highlights all the potential stress areas under all possible load cases. These specific areas are then reinforced accordingly.

Caterpillar excavator booms and sticks are built for performance and long service life.

- Castings and forgings are used at high stress areas such as boom nose, boom foot, boom cylinder and stick foot.
- Large, welded, box-section structures with thick, multi-plate fabrications in high-stress areas to better withstand torsional loads.
- All booms and sticks go through a stress relief heat treatment to maximize fatigue life and durability.

Tool Cylinder Protection

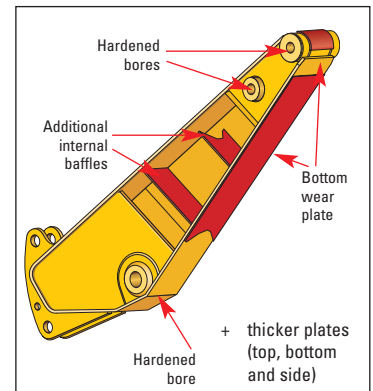
To prevent damage to the tool cylinder rod caused by falling concrete and debris, the tool cylinder is equipped with a heavy duty metal cover. Thanks to its unique construction, the cover protects the cylinder rod in every position.



Tool cylinder protection

Demolition Sticks

The Demolition sticks are made of thick plates (on top, bottom and side) and have additional internal baffles to improve their resistance to torsion stresses. They also feature hardened bores at all connections (connections with boom and tool linkage). Additional wear plates on the bottom side and around the nose extend the whole stick life.



Demolition sticks

Operator Comfort and Safety

Operator comfort and safety is critical in demolition applications.

Hydraulically tiltable cab

The hydraulically tiltable cab tilts back to further improve upward visibility and to allow the operator to adopt a more comfortable body position. The tiltable cab is integrated into the upper frame and therefore does not increase the machine's shipping height. Moreover, because of the integration into the upper frame, no tilt parts are exposed to the demolition environment. To reduce vibrations and sound, the cab shell is attached to the frame with viscous mounts.



Automatic climate control

Fully automatic climate control adjusts temperature and flow and determines which air outlet is best in each situation.

High visibility demolition cab

The thick laminated safety glass front window is one-piece with a bottom mounted parallel wiper for excellent visibility. For enhanced upward visibility, the impact resistant top window extends completely to the rear and has a wiper and washer.



Falling object guard

The ISO 10262-1998 and SAE J1356 certified falling object guard on top and front of the cab is standard. The crossbars of the top guard are angled in line with the operator's sight for enhanced visibility of the work tool. The front guard swings out for easier windshield cleaning.

Productivity

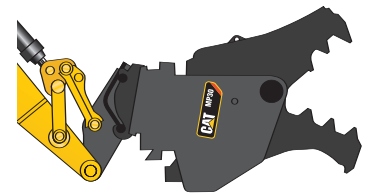
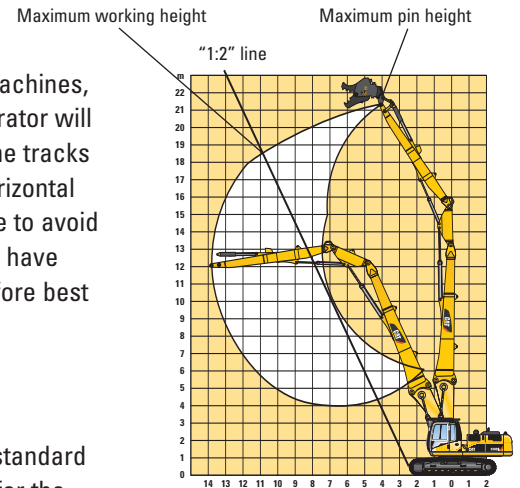
Cat Ultra High Demolition (UHD) machines are designed for maximum productivity in all demolition applications.

Working Height

While the maximum pin height is given as a reference to compare machines, the actual “working height” is always different. An experienced operator will never work above a safety line that extends from the front edge of the tracks and follows a “1:2” rule (2 meters of vertical height for 1 meter of horizontal reach). Working under this line is generally accepted as a safety rule to avoid any risk of debris falling on the machine. Caterpillar UHD excavators have been purposely designed with the “1:2” line in mind and show therefore best working heights and enhanced performances along that line.

Dedicated UHD tool linkage

Because UHD applications require different working positions than standard applications, CAT engineers developed a purpose-designed linkage for the UHD front parts. Besides providing an optimized working envelope, this linkage also greatly improves the tool controllability.



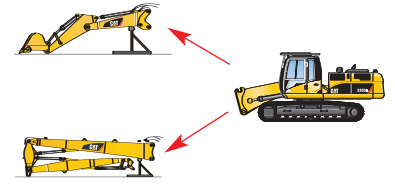
Versatility

The extreme versatility of the Cat Ultra High Demolition (UHD) models enable these machines to work in a wide range of applications, like truck loading.

Retrofit (short 2P)

Versatility – retrofit

A short boom nose can be hooked onto the bottom foot. To maximize the machine's extreme versatility, this boom nose can be put in two different positions. The straight position is ideal for working in above ground level applications, such as low level demolition or sorting. The bent position can be used for applications such as digging or truck loading. Optional medium pressure lines also enable the use of tilting buckets and tool rotation.



High versatility

Boom Hook System with Quick Disconnects

Boom hook system

The front parts are equipped with a reliable and safe hook system between the boom foot and boom nose. Compared to the traditional pin-mounted joint, the hook system significantly reduces the time needed to change between the Ultra-high front parts and the retrofit configurations. In principle, the boom hook system consists of a hook to pick up the front parts and a mechanical expander pin to secure them onto the boom foot. The absence of any hydraulic parts, as well as a full length heavy duty one-piece securing pin, ensure safe and reliable operation. The operator has an excellent view of the hook system from the cab to easily change the front parts.

Hydraulic quick disconnects and face-to-face ball valves

On 330D, the hydraulic lines between boom foot and boom nose are fitted with hydraulic quick disconnects to even further reduce the time needed to change the front parts. Oil spillage and contamination is reduced through the quick disconnects flat-face design. On larger models, face-to-face ball valves assure the unmatched reliability required for high hydraulic flows.

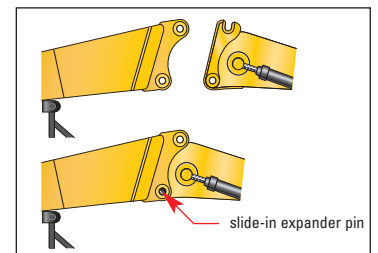


Hydraulic quick disconnects

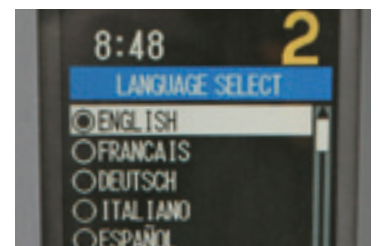
Tool Control System

Tool control

Ten hydraulic pump flow and pressure settings can be preset on the monitor (Electronic Control System), eliminating the need to adjust the hydraulics each time a tool is changed. Selecting the proper setting from the monitor's menu instantly provides the operator with the correct amount of flow and pressure for the tool. The unique Cat proportional sliding switches provide modulation to the tool and make precision work easy.



Boom hook system



Tool control

Undercarriage

Hydraulic adjustable undercarriage is standard on the 330D UHD and the 345C UHD. 385 fixed undercarriage is standard on the 385C UHD and the 365C UHD.

Hydraulic Variable Gauge Undercarriage (HVG)

The hydraulic variable gauge undercarriage increases the stability through increased track gauge in working position, as well as by lowering the center of gravity of the machine. The non-bolt joint allows a change from shipping to working width, or reverse, in less than one minute. Standard on the 330D UHD and the 345C UHD.

Fixed Undercarriage

The 365C UHD and the 385C UHD are standard with the 385C fixed undercarriage.



330D HVG

Specifications – 330D (21 m)

Dimensions and Weights

Undercarriage		HVG
A	Shipping Length	mm/in 14 830/584
B	Boom Height	mm/in 3100/122
C	Cab Height (with FOGS)	mm/in 3410/134
D	Shipping Gauge (retracted position)	mm/in 2390/94
D	Working Gauge (extended position)	mm/in 2820/111
E	Ground Clearance	mm/in 480/19
	Machine Weight (UHD configuration) *	kg/lb 47 870/105,535
	Machine Weight (Retrofit Configuration) **	kg/lb 47 350/104,389
	Machine Weight (LRE Retrofit configuration)	kg/lb 46 960/103,529

* Without tool

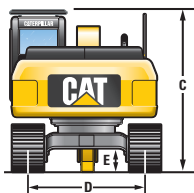
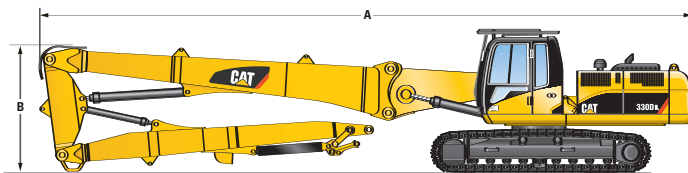
** May vary depending on the stick and the bucket

Working Range

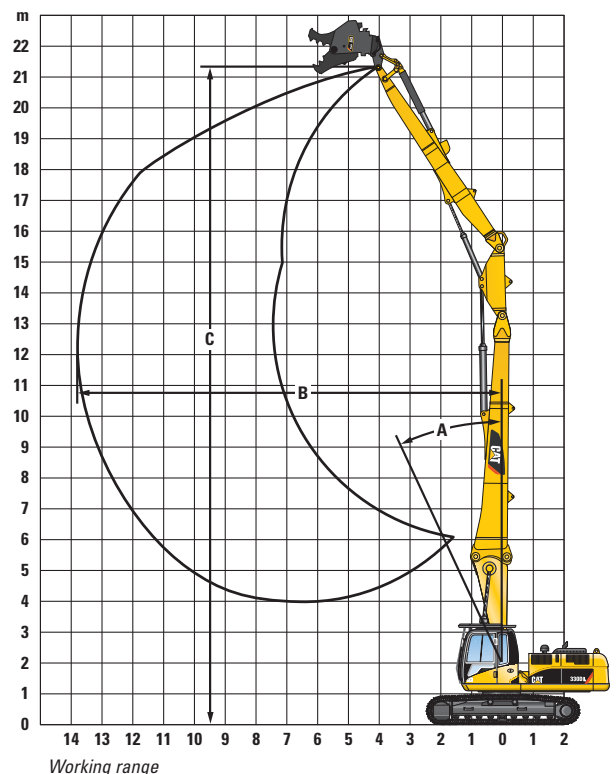
Undercarriage		HVG
A	Maximum allowable angle from vertical	25°
B	Maximum Horizontal Reach	mm/in 13 850/545
C	Maximum Pin Height	mm/in 21 120/832
	Maximum Tool Weight (over the front)	kg/lb 3000/6,614
	Maximum Tool Weight (over the side)	kg/lb 2700/5,953

Engine Specs

Engine	Cat C9 with ACERT™ Technology	
Ratings	rpm	1800
Net Power (ISO 9249)	kW/hp	200/270



Dimensions and weights



Specifications – 345C (26/28 m)

Dimensions and Weights

Undercarriage		HVG	
A	Shipping Length	mm/in	17 800/701
B	Boom Height	mm/in	3120/123
C	Cab Height (with FOGS)	mm/in	3720/147
D	Shipping Gauge (retracted position)	mm/in	2400/95
D	Working Gauge (extended position)	mm/in	3010/119
E	Ground Clearance	mm/in	460/18
	Machine Weight (UHD configuration) *	kg/lb	63 800-64 200/140,655-141,537
	Machine Weight (Retrofit Configuration) **	kg/lb	61 400/135,364
	Machine Weight (LRE Retrofit configuration)	kg/lb	–

* Without tool

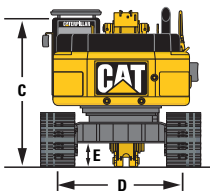
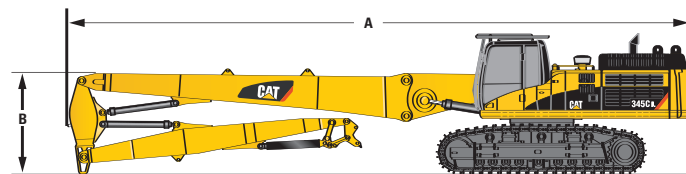
** May vary depending on the stick and the bucket

Working Range

Undercarriage		HVG	
A	Maximum allowable angle from vertical		25°
B	Maximum Horizontal Reach	mm/in	16 400-18 150/646-715
C	Maximum Pin Height	mm/in	26 100-27 900/1,028-1,098
	Maximum Tool Weight (over the front)	kg/lb	3300-2500/7,275-5,512
	Maximum Tool Weight (over the side)	kg/lb	3000-2500/6,614-5,512

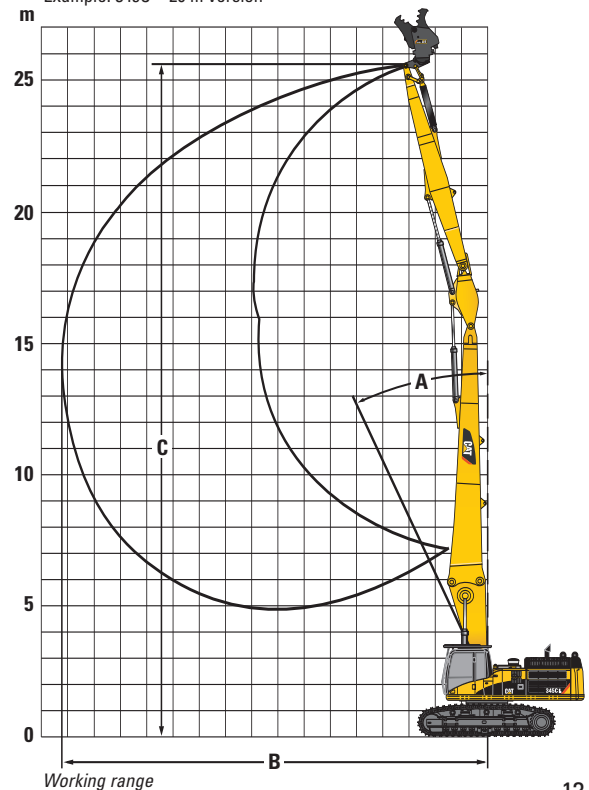
Engine Specs

Engine	Cat C13 with ACERT™ Technology	
Ratings	rpm	1800
Net Power (ISO 9249)	kW/hp	239/325



Dimensions and weights

Example: 345C – 26 m version



Specifications – 365C (33 m)

Dimensions and Weights

A Storage Length	mm/in	20 720/816
B Boom Height	mm/in	4320/170
C Cab Height (with FOGS)	mm/in	3940/155
D Shipping Gauge (retracted position)	mm/in	2750/108
D Working Gauge (extended position)	mm/in	3510/138
E Ground Clearance	mm/in	890/35
Machine Weight (UHD configuration) *	kg/lb	85 690/188,914
Machine Weight (Retrofit Configuration) **	kg/lb	82 930/181,639

* Without tool

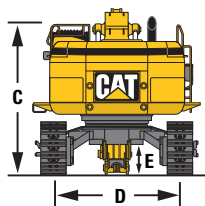
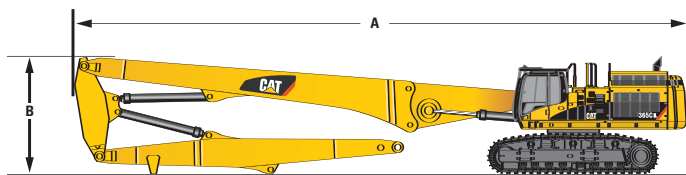
** May vary depending on the stick and the bucket

Working Range

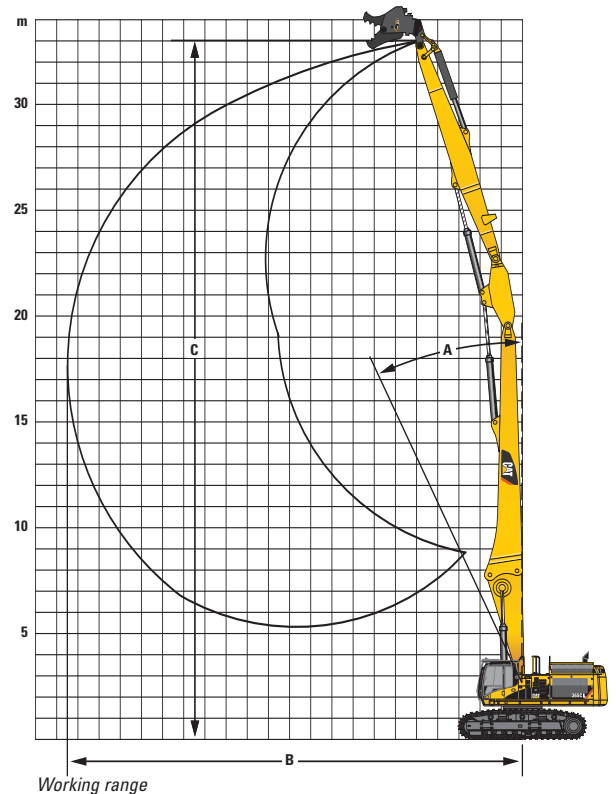
A Maximum allowable angle from vertical		25°
B Maximum Horizontal Reach	mm/in	21 600/850
C Maximum Pin Height	mm/in	33 100/1,303
Maximum Tool Weight (over the front)	kg/lb	3000/6,614
Maximum Tool Weight (over the side)	kg/lb	2000/4,409

Engine Specs

Engine	Cat C15 with ACERT™ Technology	
Ratings	rpm	2000
Net Power (ISO 9249)	kW/hp	302/411



Dimensions and weights



Specifications – 385C (40 m)

Dimensions and Weights

UHD Version		40 m
A	Storage Length	mm/in 22 710/894
B	Boom Height	mm/in 8120/320
C	Cab Height (with FOGS)	mm/in 3950/156
D	Shipping Gauge (retracted position)	mm/in 2750/108
D	Working Gauge (extended position)	mm/in 3510/138
E	Ground Clearance	mm/in 890/35
	Machine Weight (UHD configuration) *	kg/lb 98 720/217,640
	Machine Weight (Retrofit Configuration) **	kg/lb 93 730/206,639

* Without tool

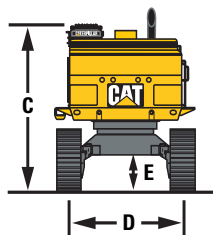
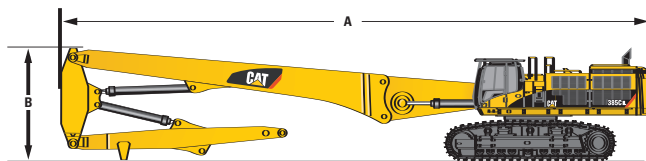
** May vary depending on the stick and the bucket

Working Range

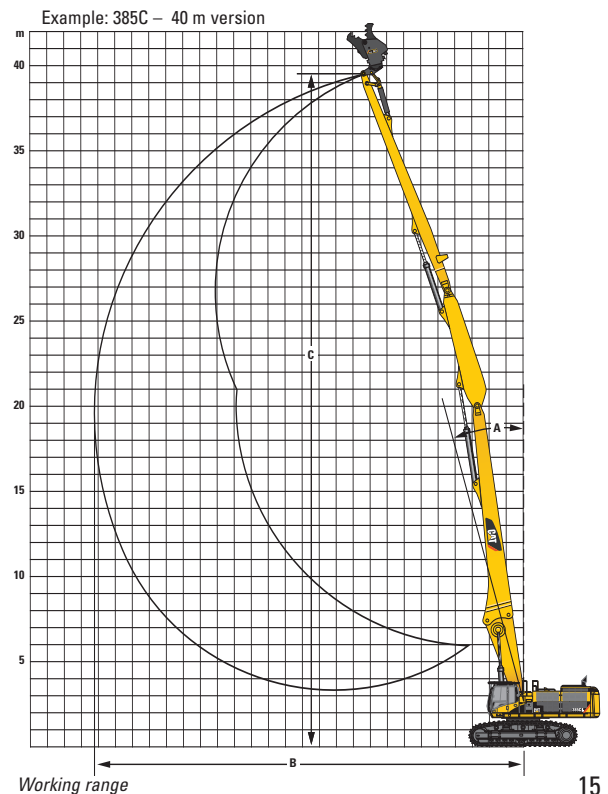
UHD Version		40 m
A	Maximum allowable angle from vertical	15°
B	Maximum Horizontal Reach	mm/in 25 200/992
C	Maximum Pin Height	mm/in 39 500/1,555
	Maximum Tool Weight (over the front)	kg/lb 2400/5,291
	Maximum Tool Weight (over the side)	kg/lb 2100/4,630

Engine Specs

Engine	Cat C18 with ACERT™ Technology	
Ratings	rpm	1800
Net Power (ISO 9249)	kW/hp	390/530



Dimensions and weights



Main Standard Equipment

Standard on all Cat UHD Models

- Reinforced upper frame and heavier counterweight
- Hydraulically tiltable cab (integrated into the upper frame)
- Purpose-designed demolition cab, with impact-resistant front windshield, large high-resistant upper skylight, and FOGS
- Front windshield and top window wipers
- Boom Hook System with Hydraulic Quick Disconnects (330D) or face-to-face ball valves (345C, 365C, 385C)
- Tool cylinder protection guard (sliding steel box)
- Dedicated UHD tool linkage
- Boom, stick and tool cylinder lowering control devices with Caterpillar SmartBoom™ system and overload warning device

Work Tools

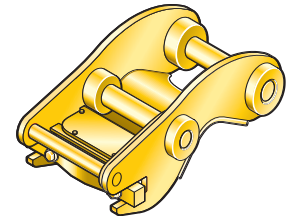
The right work tools are critical when it comes to getting the best productivity and flexibility from a machine.

Quick Couplers

With the addition of a coupler system, exchanging work tools is fast and easy – improving overall production, and increasing machine versatility. Couplers can connect to a wide variety of work tools including Grapples, Shears, and Multi-processors

Dedicated Coupler

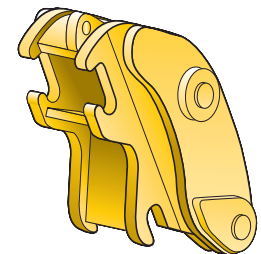
Equipped with an integrated 50mm lifting-eye, the coupler can handle material without a tool attached, maximizing available lifting power. The Dedicated Coupler system is available in both manual and hydraulic configurations.



Dedicated Coupler

Pin Grabber Plus Quick Coupler

The basic mechanism is a double-acting hydraulic cylinder that moves a hook to engage or disengage the pin of the work tool. Two check valves and a redundant mechanical locking system called the blocking bar prevent tool disengagement in the event of a hose or hydraulic system failure. Release of the work tool is only possible when the tool and stick are in the full curl position and the hydraulic cylinder is purposely retracted to disengage the hook from the pin.



Pin Grabber Plus Quick Coupler

Sorting and Demolition Grapples

Productive in Demolition

Sorting and Demolition grapples can either grab large piles of material, or pinch individual items between the jaw tips. Speed, dexterity and clamping force of these grapples make them ideal for demolition of non-concrete structures. Steel plates bolted on to the sides of the grapple are available as an option when loading operations require the ends be closed off.

Easily Positioned and Maneuvered

With 360° hydraulic rotation, quick rotation speed, and control accuracy the operator can start and stop rotation instantaneously. The tool can turn a full 360 degrees in four seconds. A positive, mechanical linkage between the stick and the grapple allows the grapple to be accurately positioned almost anywhere within reach of the excavator.

Built for Durability

Cutting edges are made of Hardox 5000 and are protected on the outside by 1-inch thick bolt-on wear plates. Wear plates are made with the proprietary Cat DH2 steel which has excellent impact and abrasion resistance, as well as a hardness approaching 50 RC. These wear plates can be turned 180 degrees – doubling the life of the wear plates. Two welded-on horizontal steel bars on each jaw reinforce the vertical ribs. Hydraulic cylinders are fully protected.



Work Tools

Multi-Processors

Extreme Versatility

Multi-Processor housings can be equipped with one of six purpose-built interchangeable jaw sets. Because of a conveniently placed lifting eye and only two stop bolts to remove, jaw sets can be interchanged quickly. Wherever possible, replacement parts are common across jaw types.

Maximum Productivity

A single cross-mounted cylinder provides exceptional cutting and crushing force. Productivity is maximized with a speed valve, which reduces jaw cycle time. Continuous 360° rotation positions the grapple while minimizing the need to move the machine. Compact design puts the most power in the smallest package for a lower total system cost.

Durable Work Tool

Multi-Processors are built tough to endure cutting, crushing and pulverizing thick, heavy-duty concrete and steel structures. Jaw teeth and cutting edges are made of high quality steel with outstanding tensile strength to withstand high cutting and crushing forces. Most jaw sets have replaceable wear plates, increasing tool life. All jaw teeth are designed to minimize wear in continuous demolition applications and are cast instead of fabricated.

Low Noise Level

Even though Multi-Processors offer greater force and fast jaw movement, they are non-impact tools and work at a relatively low noise level.

Mobile Shears

Complete Solution

Mobile shears are built to demolish and recycle steel structures and are designed to be compatible with a matching Cat machine. Bolt-on brackets are offered, adding versatility and reach, and proven hydraulic components handle the high pressures and flows in demolition applications. Together Cat hydraulic kits, shears and machines make a complete system solution.

360° Rotation, Efficient Jaw Design, Fast Cycle Times

A bi-directional slewing ring rotation system allows the operator to quickly and precisely place jaws for cutting, reducing the need to move the excavator. Rhomboid-shaped knife design improves wire-cutting performance. Hardened piercing tip of the upper jaw penetrates material, maximizing productivity. Straight-line knife position in lower jaw increases effective shear force. Steel is compressed and flattened for a more effective, clean cut. An adjustable hub reduces the need for shimming the knives in the lower jaw. Integrated speed valve reduces cycle time, for more cuts per hour.

Built Durable

A unique knife retention system prevents bolt shearing. Bushings lock cutters in place, eliminating bending loads on bolts. Fully reversible, high-hardness knives maintain their edge for long life and have four cutting edges each.



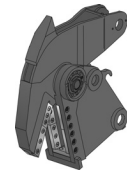
Jaw sets can be quickly interchanged.



Shear (S)



Concrete Cutter (CC)



Tank Shear (TS)



Crusher (CR)



Primary Pulverizer (PP)



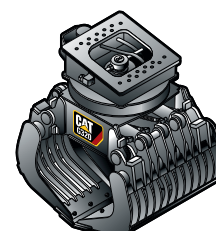
Mobile Shears

Specifications – Work Tools

Grapples

Specifications		G315	G320
Weight	kg/lb	1840/4,057*	2060/4,542*
Capacity	Liter/gal	800/211	900/238
Dimensions			
Length (grapple closed)	mm/in	1505/59	1505/59
Length (grapple open)	mm/in	2265/89	2265/89
Width	mm/in	1115/44	1394/55
Height (grapple closed)	mm/in	1850/73	1850/73
Height (grapple open)	mm/in	1690/67	1690/67
Closing force	kN/lbf	60/13,489	60/13,489
Maximum Oil Flow			
Hydraulic cylinder	l/min/gpm	100/26	100/26
Rotation	l/min/gpm	40/11	40/11
Maximum Working Pressure			
Hydraulic cylinder	bar/psi	350/5,076	350/5,076
Rotation	bar/psi	140/2,031	140/2,031

* Includes mounting bracket



Quick Couplers

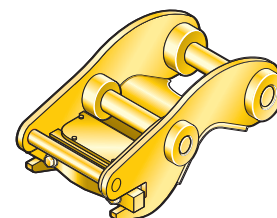
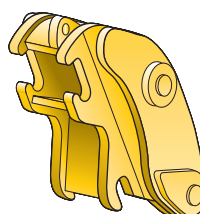
Specifications

Pin Grabber Plus Hydraulic Quick Coupler

Linkage	C	D	CB	DB	TB	VB	HB
Weight, with pins (kg/lb)	510/1,124	568/1,252	576/1,270	644/1,420	855/1,885	985/2,172	1455/3,208

Dedicated Coupler (hydraulic)

Linkage	C	D	CB	DB	TB	VB	HB
Weight, with pins (kg/lb)	302/666	292/644	339/747	342/754	523/1,153	1228/2,707	1315/2,899



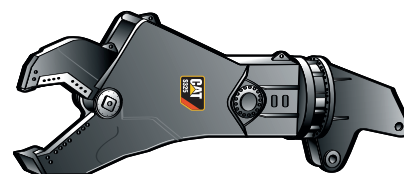
Specifications – Work Tools

Shear Specifications

Specifications		S320	S325
Weight	kg/lb	2150/4,740	3000/6,614
Dimensions			
Length	mm/in	3044/120	3453/136
Height	mm/in	1183/47	1374/54
Jaw opening	mm/in	390/15	490/19
Jaw depth	mm/in	440/17	570/22
Shear Force			
At tip	kN/lbf	891/200,305	1274/286,407
Apex	kN/lbf	1553/349,128	2200/494,580
At throat	kN/lbf	3340/750,862	5415/1,217,340
P_{max}	bar/psi	350/5,076	350/5,076

Hydraulic Requirements

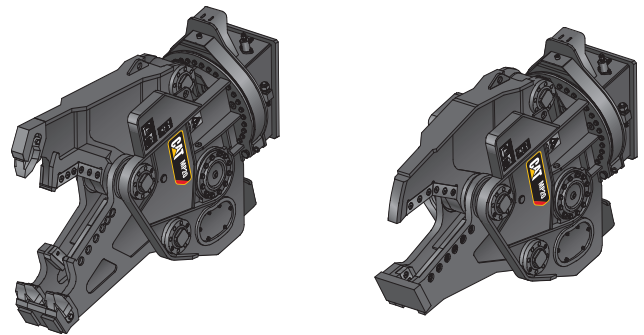
Specifications		S320	S325
Hydraulic for cutting			
Optimum flow	l/min/gpm	150/40	200/53
Return flow (opening)	l/min/gpm	240/63	300/79
Speed open	sec	4	5
Speed close	sec	3	3
Connection	BSP	1	1
Speed valve			
Switching pressure	bar/psi	200/2,901	200/2,901
Oil flow (max)	l/min/gpm	200/53	300/79
Hydraulic for rotating			
P_{max}	l/min/gpm	140/37	140/37
Optimum flow	l/min/gpm	40/11	40/11
Hydromotor		one	one



Concrete Cutter Jaws and Shear Jaws

Specifications and Dimensions

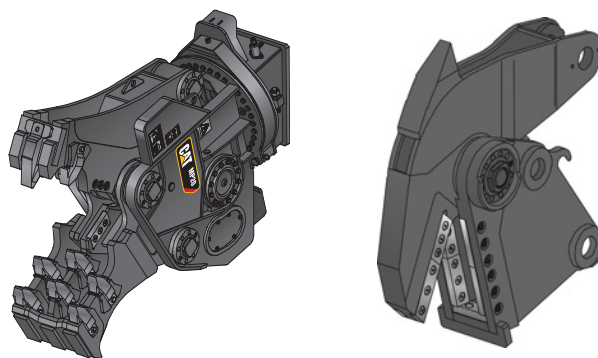
		Shear Jaws			Concrete Cutter Jaws		
		MP15	MP20	MP30	MP15	MP20	MP30
Weight: housing, jaw, bracket	kg/lb	1950/4,299	2570/5,666	3890/8,576	2020/4,453	2660/5,864	3850/8,488
Dimensions							
Length	mm/in	2100/83	2250/89	2700/106	2200/87	2400/94	2800/110
Height	mm/in	1310/52	1510/59	1680/66	1510/59	1750/69	1980/78
Width	mm/in	800/31	800/31	1010/40	800/31	800/31	1010/40
Fixed Jaw width	mm/in	300/12	320/13	370/15	300/12	360/14	380/15
Moving Jaw width	mm/in	80/3	100/4	120/5	100/4	130/5	130/5
Jaw opening	mm/in	390/15	420/17	470/19	670/26	820/32	975/38
Jaw depth	mm/in	480/19	580/23	710/28	670/26	790/31	890/35
Cutter length	mm/in	400/16	520/20	600/24	400/16	460/18	520/20
Cycle time	sec	5	6	6.5	5	6	6.5
Arm Torque							
Fully Open	kN•m/lb•ft	547/403,446	882/650,529	1348/994,232	525/387,220	844/622,502	1257/927,114
Fully Closed	kN•m/lb•ft	378/278,798	563/415,247	907/668,968	342/252,246	502/370,256	759/559,809
Cutting/Crushing Force							
Tooth-jaw tip	kN/lbf	900/202,328	1200/269,771	1600/359,694	700/157,366	950/213,569	1250/281,011
Primary blade center	kN/lbf	2100/472,099	2900/651,946	3750/843,034	1000/224,809	1400/314,733	1850/415,897
At throat	kN/lbf	4200/944,198	5800/1,303,892	7100/1,596,143	2200/494,580	3000/674,427	4100/921,717
Hydraulic Requirements, cutting circuit							
Max. Operating Pressure	kPa/psi	35 000/5,076	35 000/5,076	35 000/5,076	35 000/5,076	35 000/5,076	35 000/5,076
Max. Oil Flow	l/min/gpm	150/40	200/53	300/79	150/40	200/53	300/79
Hydraulic Requirements, rotation circuit							
Max. Operating Pressure	kPa/psi	14 000/2,031	14 000/2,031	14 000/2,031	14 000/2,031	14 000/2,031	14 000/2,031
Max. Oil Flow	l/min/gpm	40/11	40/11	40/11	40/11	40/11	40/11



Tank Shear Jaws and Crusher Jaws

Specifications and Dimensions

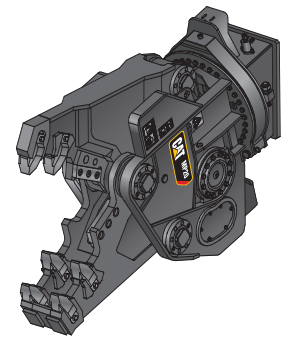
		Tank Shear Jaws			Crusher Jaws	
		MP20	MP30	MP15	MP20	MP30
Weight: housing, jaw, bracket	kg/lb	2740/6,041	4380/9,656	2010/4,431	2660/5,864	3860/8,510
Dimensions						
Length	mm/in	2400/94	2800/110	2200/87	2350/93	2770/109
Height	mm/in	1750/69	2100/83	1310/52	1750/69	1980/78
Width	mm/in	800/31	1180/46	800/31	800/31	1010/40
Fixed Jaw width	mm/in	290/11	340/13	300/12	360/14	380/15
Moving Jaw width	mm/in	120/5	150/6	100/4	130/5	130/5
Jaw opening	mm/in	440/17	510/20	710/28	850/33	1050/41
Jaw depth	mm/in	460/18	580/23	700/28	770/30	920/36
Cutter length	mm/in	460/18	580/23	200/8	260/10	260/10
Cycle time	sec	6	6.5	5	6	6.5
Cutting/Crushing Force						
Tooth-jaw tip	kN/lbf	1400/314,733	1900/427,137	700/157,366	950/213,569	1250/281,011
Primary blade center	kN/lbf	2200/494,580	4000/899,236	950/213,569	1350/303,492	1750/393,416
At throat	kN/lbf	4400/989,159	6350/1,427,537	2100/472,099	2900/651,946	3800/854,274
Hydraulic Requirements, cutting circuit						
Max. Operating Pressure	kPa/psi	35 000/5,076	35 000/5,076	35 000/5,076	35 000/5,076	35 000/5,076
Max. Oil Flow	l/min/gpm	200/53	200/53	150/40	200/53	300/79
Hydraulic Requirements, rotation circuit						
Max. Operating Pressure	kPa/psi	14 000/2,031	14 000/2,031	14 000/2,031	14 000/2,031	14 000/2,031
Max. Oil Flow	l/min/gpm	40/11	40/11	40/11	40/11	40/11



Primary Pulverizer Jaws

Specifications and Dimensions

		Primary Pulverizer Jaws		
		MP15	MP20	MP30
Weight: housing, jaw, bracket	kg/lb	2220/4,894	2900/6,393	4180/9,215
Dimensions				
Length	mm/in	2220/87	2325/92	2800/110
Height	mm/in	1590/63	1775/70	1980/78
Width	mm/in	800/31	800/31	1010/40
Fixed Jaw width	mm/in	480/19	540/21	610/24
Moving Jaw width	mm/in	280/11	340/13	370/15
Jaw opening	mm/in	700/28	800/31	960/38
Jaw depth	mm/in	700/28	800/31	940/37
Cutter length	mm/in	200/8	200/8	250/10
Cycle time	sec	5	6	6.5
Cutting/Crushing Force				
Tooth-jaw tip	kN/lbf	650/146,126	950/213,569	1250/281,011
Primary blade center	kN/lbf	900/202,328	1300/292,252	1550/348,454
At throat	kN/lbf	2100/472,099	2750/618,225	3950/887,995
Hydraulic Requirements, cutting circuit				
Max. Operating Pressure	kPa/psi	35 000/5,076	35 000/5,076	35 000/5,076
Max. Oil Flow	l/min/gpm	150/40	200/53	300/79
Hydraulic Requirements, rotation circuit				
Max. Operating Pressure	kPa/psi	14 000/2,031	14 000/2,031	14 000/2,031
Max. Oil Flow	l/min/gpm	40/11	40/11	40/11



www.cat.com

For more complete information on Cat products, dealer services, and industry solutions, visit us on the web at www.cat.com

© 2007 Caterpillar
All Rights Reserved

Materials and specifications are subject to change without notice.
Featured machines in photos may include additional equipment.
See your Caterpillar dealer for available options.

CAT, CATERPILLAR, ACERT, their respective logos, "Caterpillar Yellow," and the POWER EDGE trade dress, as well as corporate and product identity used herein, are trademarks of Caterpillar and may not be used without permission.

AEXQ0157 (3-07)

CATERPILLAR[®]
TODAY'S WORK. TOMORROW'S WORLD.™