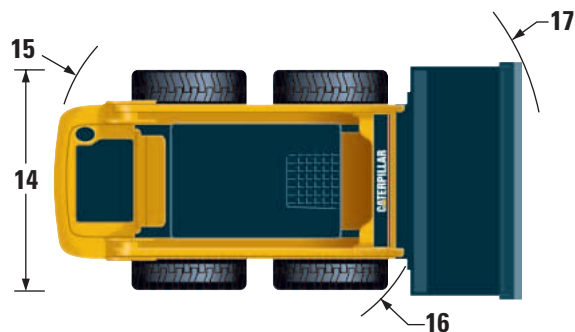
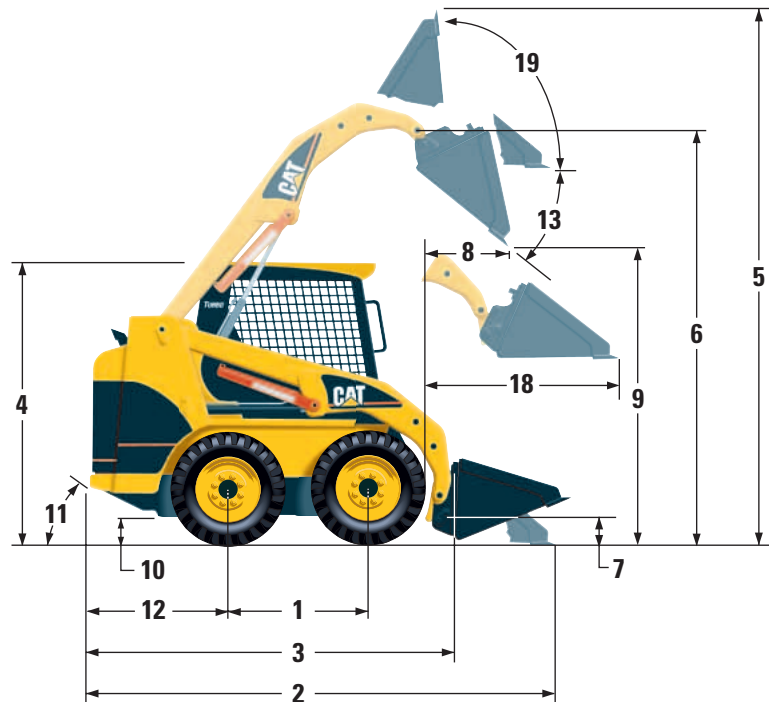


236B/246B/248B Skid Steer Loaders

Dimensions

All dimensions are approximate.



| | | | |
|-----------|------------------------------------|---------|--------|
| 1 | Wheelbase | 1134 mm | 45 in |
| 2 | Length w/Bucket on ground | 3515 mm | 138 in |
| 3 | Length w/o Bucket | 2800 mm | 110 in |
| 4 | Height to top of Cab | 2092 mm | 82 in |
| 5 | Max Overall Height | 3965 mm | 156 in |
| 6 | Hinge Pin Height at max lift | 3099 mm | 122 in |
| 7 | Hinge Pin Height at carry position | 257 mm | 10 in |
| 8 | Reach at max lift and dump | 541 mm | 21 in |
| 9 | Clearance at max lift and dump | 2398 mm | 94 in |
| 10 | Ground Clearance | 235 mm | 9.3 in |
| 11 | Departure Angle | 28° | |
| 12 | Bumper Overhang behind rear axle | 1038 mm | 41 in |

| | | |
|-----------|-------------------------------------|---------------|
| 13 | Maximum Dump Angle | 40° |
| 14 | Vehicle Width over tires | 1676 mm 66 in |
| 15 | Turning Radius from center — left | 1623 mm 64 in |
| 16 | Turning Radius from center — right | 1318 mm 52 in |
| 17 | Turning Radius from center — full | 2097 mm 83 in |
| 18 | Max Reach w/Arms Parallel to ground | 1357 mm 53 in |
| 19 | Rack Back Angle at max height | 97.4° |