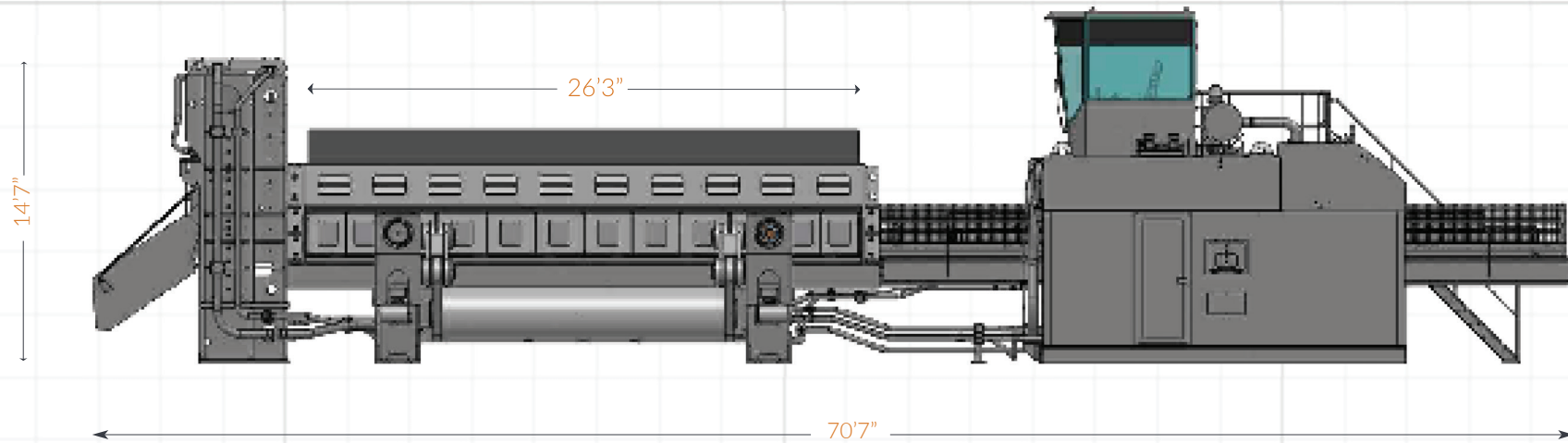




# .ENGINEERED TO MEET YOUR NEEDS

# .SH 1100A

Stationary



## .SPECIFICATIONS

Cutting force	1100 T
Hold down force	195 T
Side cylinder forc	395 T
Lid force	330 T
Pusher ram force	150 T
Cutting width	37"
Box length	26'3"
Box section opened	6'7"
Box section closed	37" x 27.55"

Hydraulic oil tank capacity	1,585 us gal
Fuel tank capacity	581 us gal
Total weight	350,000 lb.

## .FEATURES

- Hydraulic bottom blades fastening system
- Hydraulic cooler
- Automatic shear lubrication system
- Diesel or electric power unit:
  - CAT® C13 ACERT™ Tier 4 Final 475hp
  - Electric motor 315kw

## .MAIN OPTIONS

- Cabin
- Bluetooth control screen
- 200 T pusher ram force
- Platform with stairs and railing
- Remote control
- Custom colors

These features are not contractual. Lefort reserves the right to modify its specifications without any prior notice.

**SHEAR // SIDE COMPRESSION**

More advanced. More productive. More reliable.

