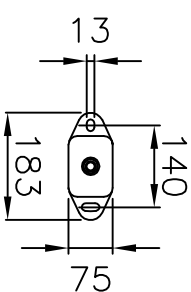
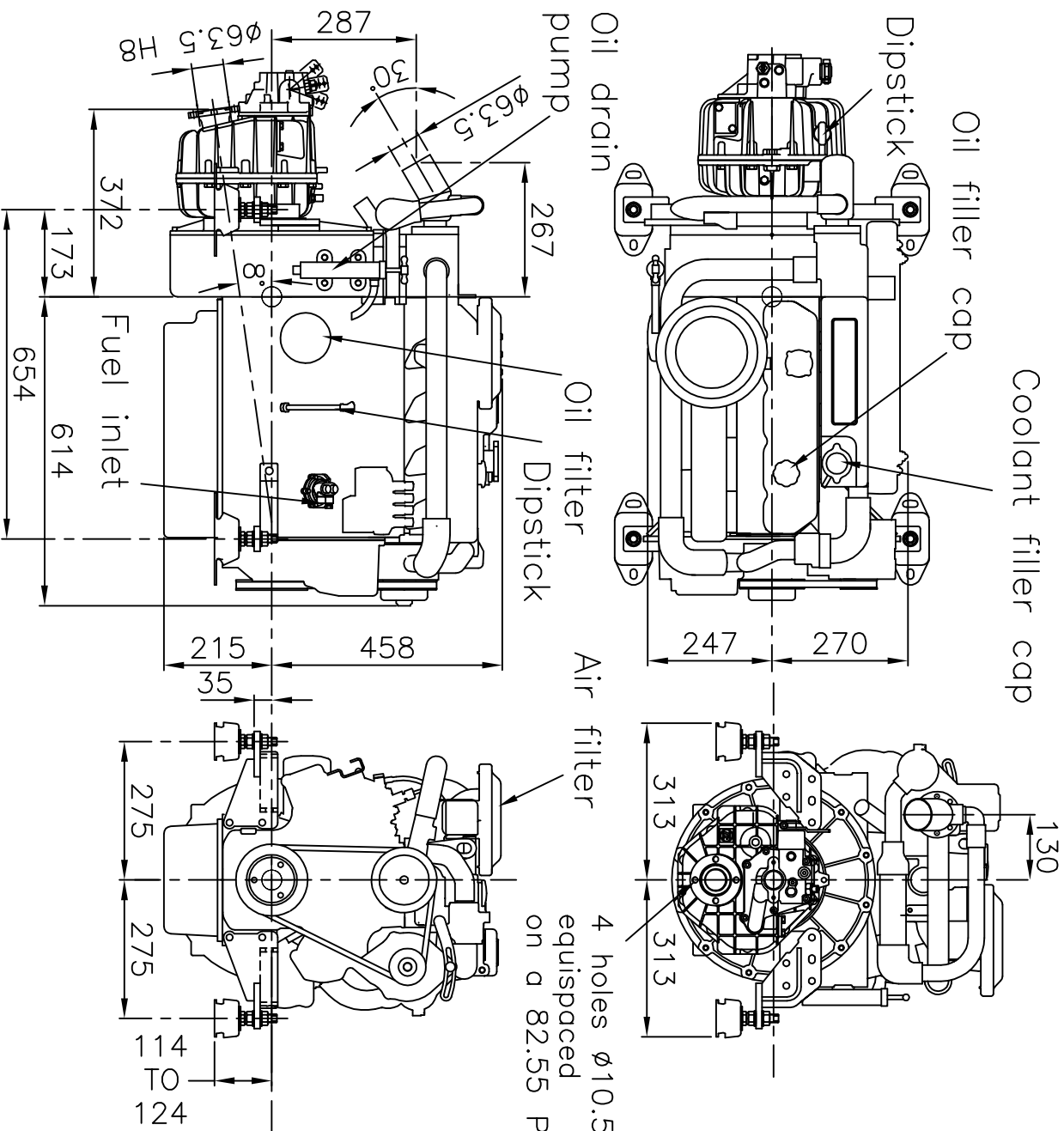
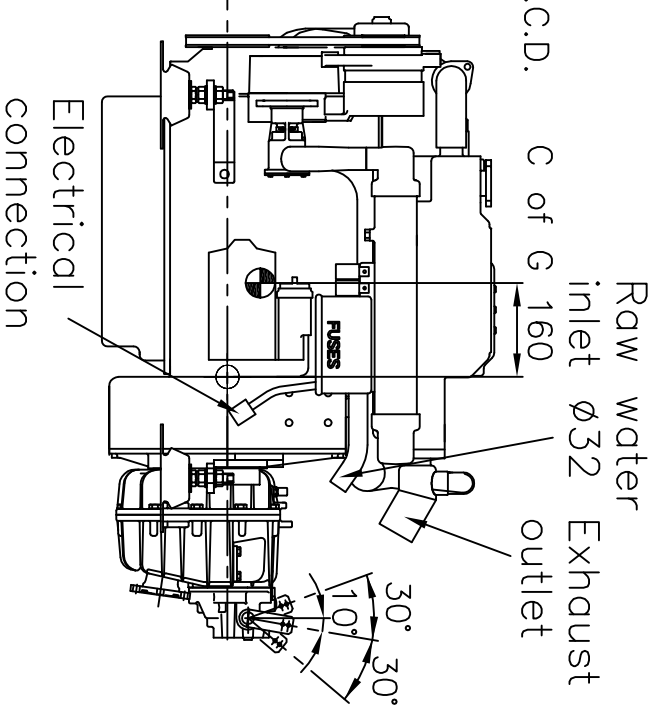


Perkins Sabre M65 Marine Diesel Engine  
 with the ZF25A (HSW250A) gearbox  
 (Ratios 1.5:1 & 2:1)  
 (Mounting Centres at 550mm)



**FLEXIBLE ENGINE MOUNT**

Weights on each mount  
 Front - 80.7kg per mount  
 Back - 78.4kg per mount  
 Total Wet Weight 318.2kg



CATERPILLAR MARINE POWER UK LTD  
 Wimborne, Dorset, England.  
 Tel. +44(0)1202 893720  
 Fax. +44(0)1202 851700  
 E-mail. Wimborne\_MPC\_post@cat.com  
 www.Perkins-Sabre.com