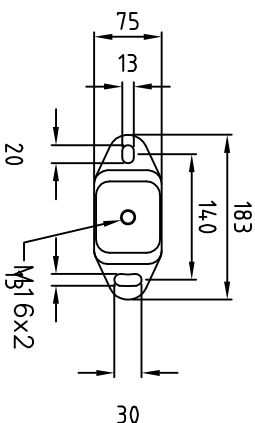
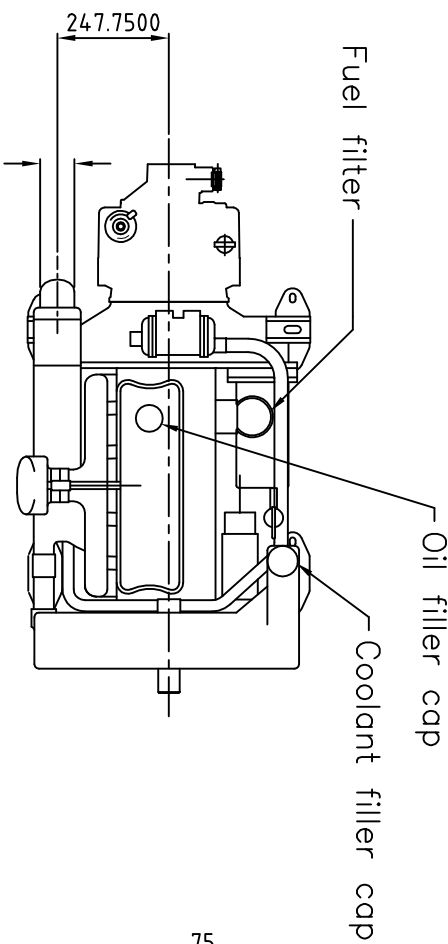


Perkins Sabre M90 Marine Diesel Engine shown with a Hurth HSW 450A gearbox

CATERPILLAR MARINE POWER UK LTD
Wimborne, Dorset, England.
Tel. +44(0)1202 893720
Fax. +44(0)1202 851700
E-mail. Wimborne_MPC_post@cat.com
www.Perkins-Sabre.com



FLEXIBLE ENGINE MOUNT

Weights on each mount:
Front – 113.4kg per mount
Back – 107.5kg per mount
Total Wet Weight – 441.7kg

Exhaust outlet— $\phi 76$

