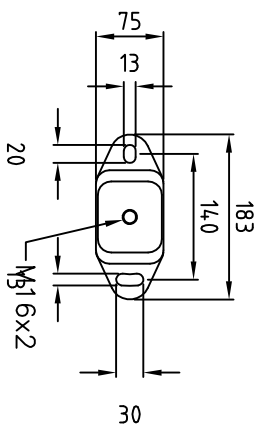
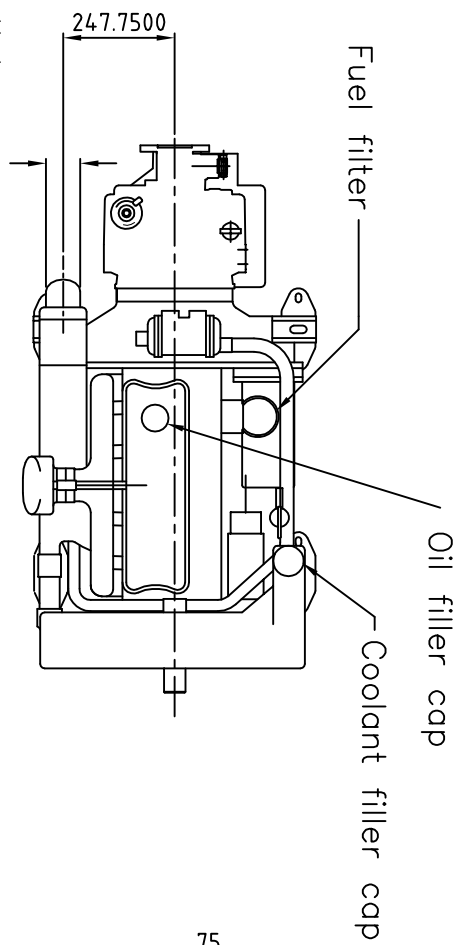


Perkins Sabre M90 Marine Diesel Engine shown with PRM 500D gearbox

CATERPILLAR MARINE POWER UK LTD
Wimborne, Dorset, England.
Tel. +44(0)1202 893720
Fax. +44(0)1202 851700
E-mail. Wimborne_MPC_post@cat.com
www.Perkins-Sabre.com



FLEXIBLE ENGINE MOUNT

Weights on each mount:
Front — 109.5kg per mount
Back — 136.5kg per mount
Total Wet Weight — 492kg

