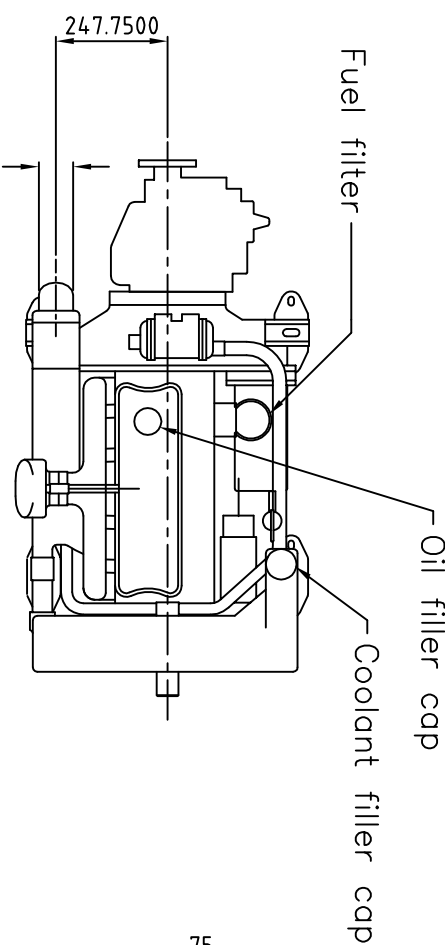
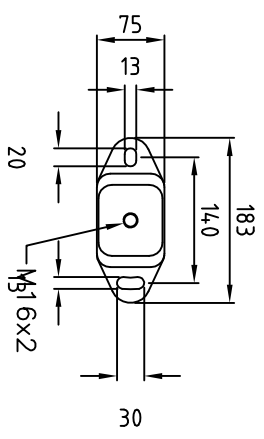
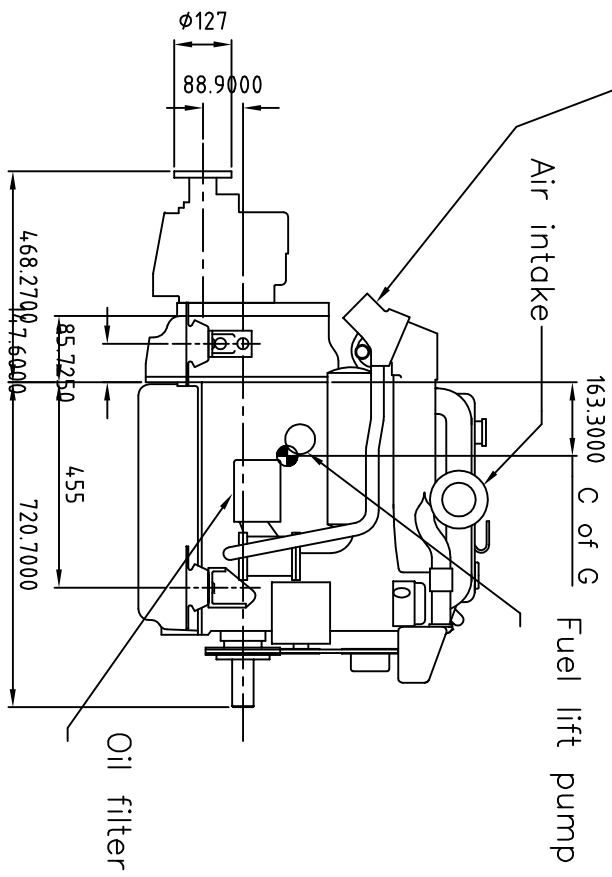
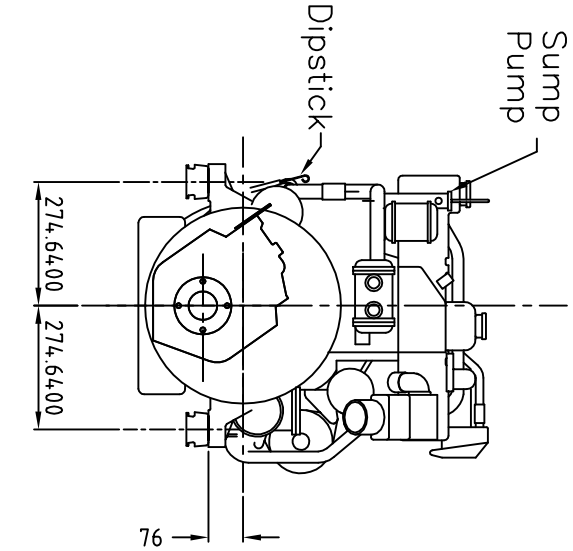


# Perkins Sabre M90 Marine Diesel Engine shown with PRM 260D gearbox

CATERPILLAR MARINE POWER UK LTD  
Wimborne, Dorset, England.  
Tel. +44(0)1202 893720  
Fax. +44(0)1202 851700  
E-mail. [Wimborne\\_MPC\\_post@cat.com](mailto:Wimborne_MPC_post@cat.com)  
[www.Perkins-Sabre.com](http://www.Perkins-Sabre.com)

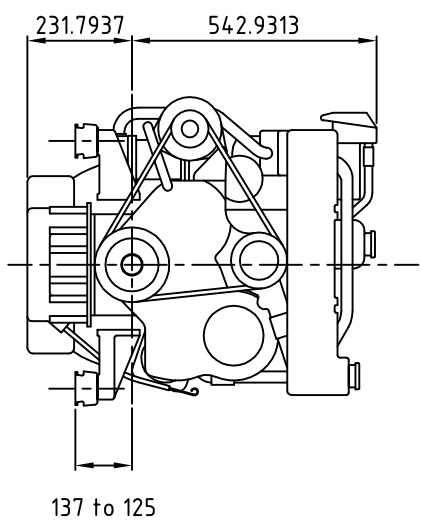


Exhaust outlet— $\phi 76$



FLEXIBLE ENGINE MOUNT

Weights on each mount:  
Front — 105.7kg per mount  
Back — 124kg per mount  
Total Wet Weight — 459.4kg



137 to 125