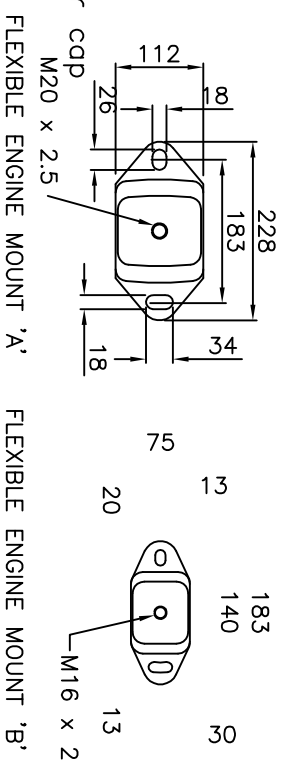
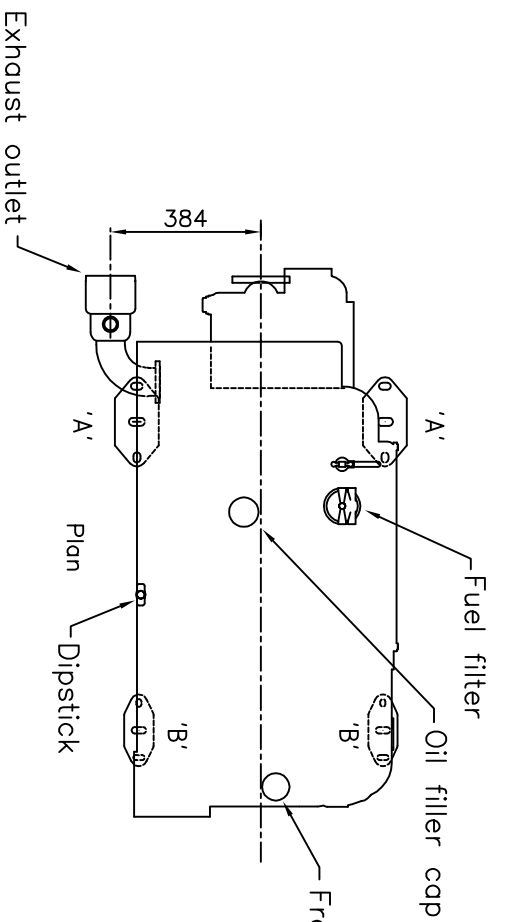
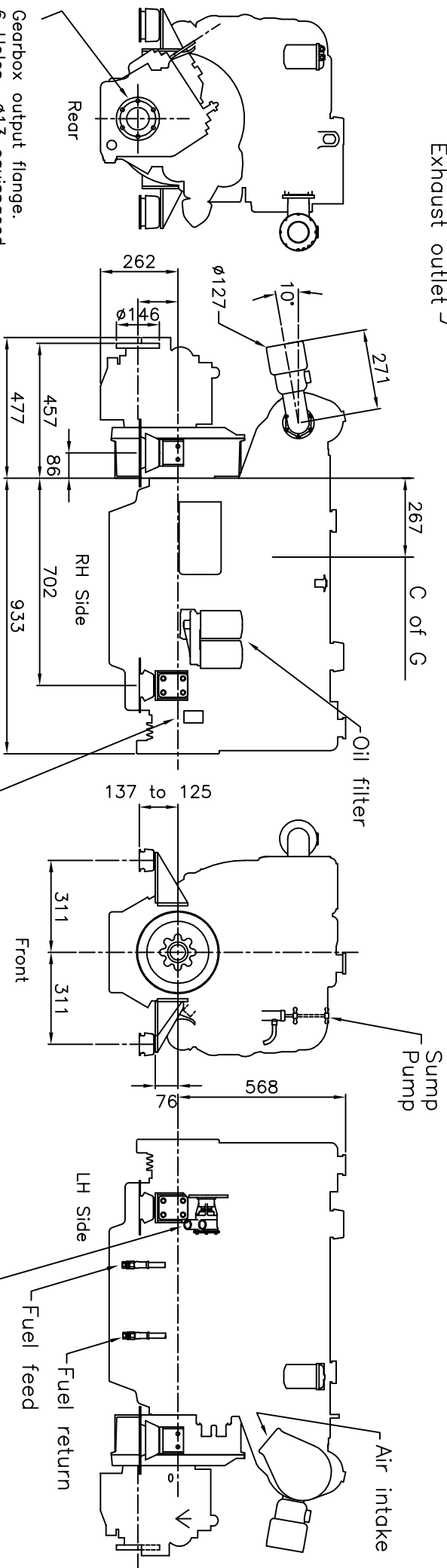


Perkins Sabre M265Ti and M300Ti Marine Diesel Engine shown with PRM 1000D gearbox with reduction ratios up to and including 2:1 (622mm transverse mounting centres)

CATERPILLAR MARINE POWER UK LTD  
 Wimborne, Dorset, England.  
 Tel. +44(0)1202 893720  
 Fax. +44(0)1202 851700  
 E-mail. Wimborne\_MPC\_post@cat.com  
 www.Perkins-Sabre.com



Weights on each mount:  
 Front - 186kg per mount  
 Back - 195kg per mount  
 Total Wet Weight - 762kg



Gearbox output flange.  
 6 Holes  $\phi 13$  equispaced  
 on a 120.6 PCD  
 Female location  $\phi 76.23/\phi 76.26$

Electrical Connection  
 to Instrument Panel

DOC No. 7095-5-00