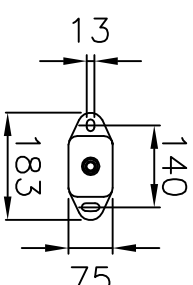
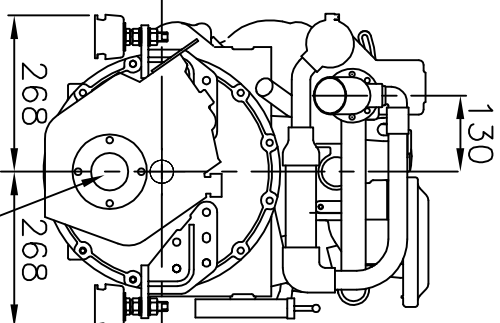
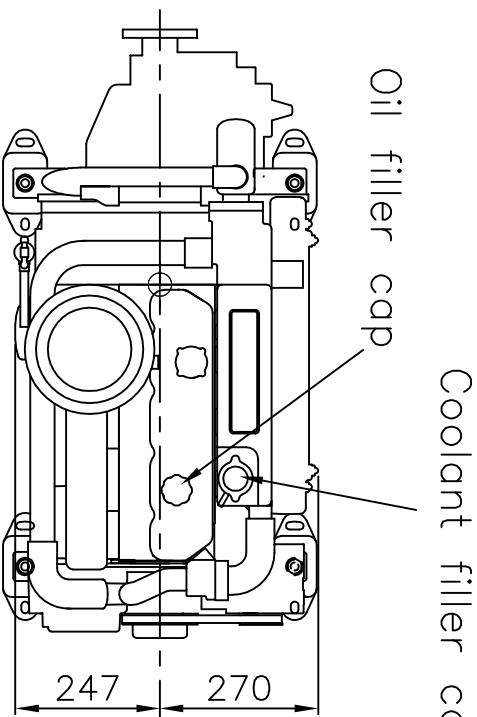


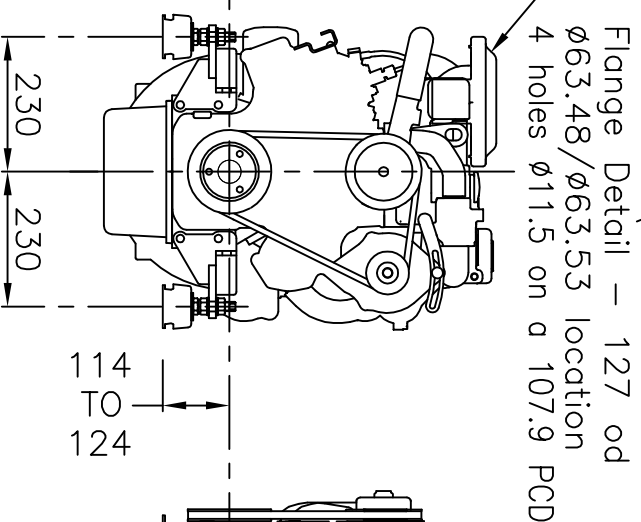
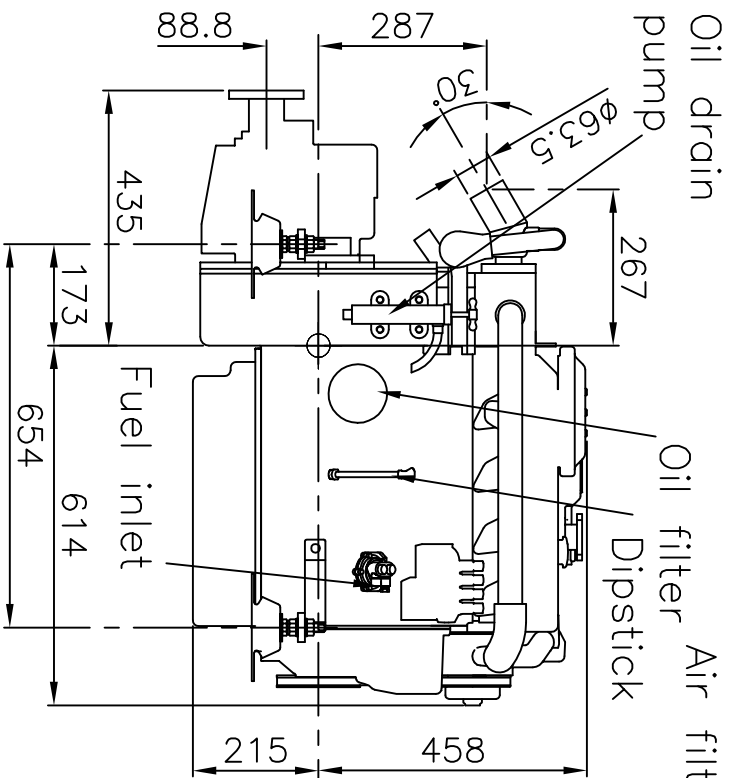
Perkins Sabre M65 Marine Diesel Engine
 with the PRM260D gearbox
 (Ratios 2:1 & 3:1)
 (Mounting Centres at 460mm)

CATERPILLAR MARINE POWER UK LTD
 Wimborne, Dorset, England.
 Tel. +44(0)1202 893720
 Fax. +44(0)1202 851700
 E-mail. Wimborne_MPC_post@cat.com
 www.Perkins-Sabre.com



FLEXIBLE ENGINE MOUNT

Weights on each mount
 Front – 75.9kg per mount
 Back – 96.8kg per mount
 Total Wet Weight 345.4kg



Raw water inlet Ø32 Exhaust outlet

