



# Cat<sup>®</sup> 906K

## COMPACT WHEEL LOADER

### FEATURES:

The Cat<sup>®</sup> 906K delivers high performance with outstanding versatility. Spacious cab with joystick control keeps you comfortable throughout the work day, allowing you to get more done. Loader design delivers strength and durability with superior control.

- **High Performance** – With its high full turn tipping loads and breakout forces, the K Series delivers a powerful solution for all customer applications.
- **Ease of Operation** – State of the art electrohydraulic system provides low effort, fine control with fast cycle times. All-in-one joystick helps keep eyes on the work. Operator can adjust machine responsiveness with the push of a button, which allows the operator to set up the machine exactly the way they want it based on the application.
- **Cat Optimized Z-bar Loader Linkage** – The Cat optimized Z-bar loader linkage combines the digging efficiency of a traditional Z-bar with tool carrier capabilities for great performance and versatility. With parallel lift and high tilt forces throughout the working range you can safely and confidently handle loads with precise control.
- **Power Train** – Heavy duty axles and 100% diff-lock come standard on both the 20 km/h (12 mph) standard speed machine as well as the 35 km/h (22 mph) high speed option. Ride control is also available as an option, for added comfort and load retention when having to travel longer distances.
- **Versatility** – Whether using a Pin-On, ISO (wide) or Skid Steer Loader (SSL) style coupler, combined with standard flow or optional high flow hydraulics, the Cat Compact Wheel Loaders can use a large range of work tools including hydro mechanical work tools.
- **Serviceability** – The design of the K Series allows quick and easy servicing. Tilt up engine hood and side service doors give exceptional access to the major components safely from ground level. S-O-S<sup>SM</sup> oil ports and pressure test points enable easy preventative maintenance.
- **Cab** – High visibility cab increases comfort with an available deluxe seat, intuitive controls and settings. Optional soft touch pad contains new electronic functions and settings including Implement Modulation and Hystat Aggressiveness, Ride Control, Return to Dig, Lift Kickout, Engine Speed Control, and Rimpull Control. Optional built-in Machine Security System prevents machine theft.

## Specifications

### Engine

|                             |                |       |
|-----------------------------|----------------|-------|
| Engine Model                | Cat C3.3B DIT* |       |
| Rated Net Power @ 2,500 rpm |                |       |
| SAE J1349                   | 51 kW          | 68 hp |
| Maximum Gross Power         |                |       |
| ISO 14396                   | 55 kW          | 73 hp |
| SAE J1995                   | 55 kW          | 74 hp |
| Maximum Net Power           |                |       |
| ISO 9249                    | 52 kW          | 69 hp |
| SAE J1349                   | 51 kW          | 68 hp |

\*The Cat C3.3B DIT engine meets U.S. EPA Tier 4 Interim/EU Stage IIIA or U.S. EPA Tier 2/EU Stage II equivalent emission standards.

### Weight

|                  |         |           |
|------------------|---------|-----------|
| Operating Weight | 5600 kg | 12,346 lb |
|------------------|---------|-----------|

Note: Machine with full fuel tank, ROPS/FOPS cab, 80 kg (176 lb) operator, skid steer loader coupler (SSL) and general purpose bucket (GP).

### Buckets

|                   |                         |  |
|-------------------|-------------------------|--|
| Bucket Capacities |                         |  |
| ISO Coupler       | 0.75-1.2 m <sup>3</sup> |  |
| SSL Style Coupler | 1.0-1.6 yd <sup>3</sup> |  |

### Travel Speeds

|            |         |          |
|------------|---------|----------|
| Speed 1    | 10 km/h | 6.2 mph  |
| Speed 2    | 20 km/h | 12.4 mph |
| High Speed | 35 km/h | 21.7 mph |

### Hydraulic System

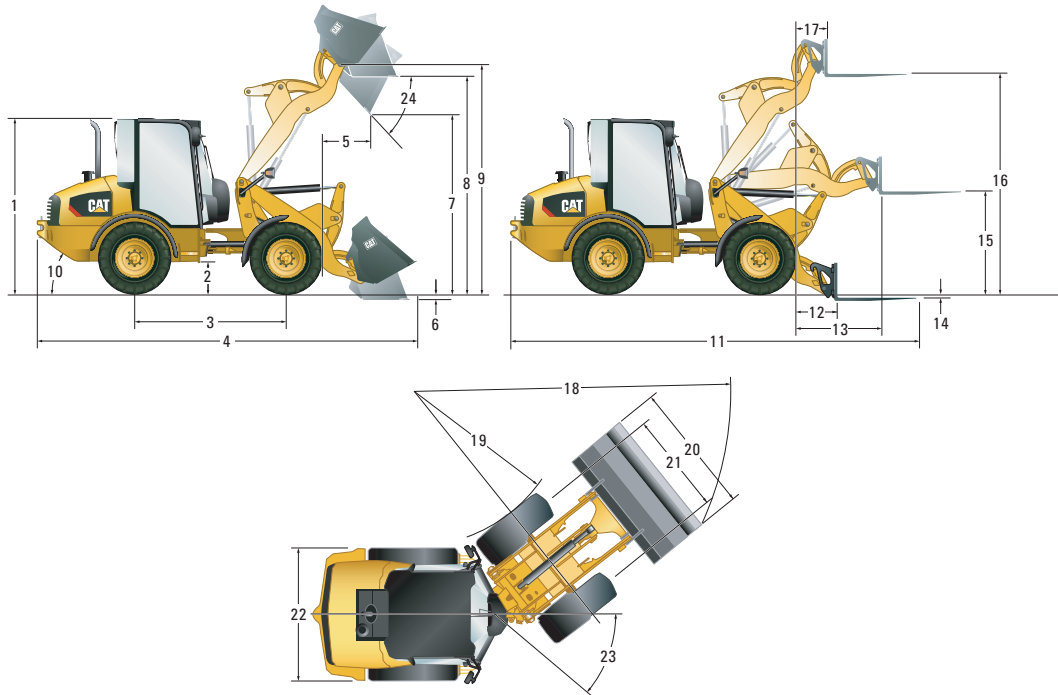
|                            |             |            |
|----------------------------|-------------|------------|
| Main Relief – 3rd Aux Flow | 235 bar     | 3,400 psi  |
| Standard                   | 76 L/min    | 20 gal/min |
| High Flow                  | 120 L/min   | 31 gal/min |
| Hydraulic Cycle Time       |             |            |
| Lift                       | 5.2 seconds |            |
| Lower                      | 3.2 seconds |            |
| Dump                       | 1.3 seconds |            |
| Rack Back                  | 2.1 seconds |            |

### Service Refill Capacities

|                  |        |          |
|------------------|--------|----------|
| Cooling System   | 17 L   | 4.5 gal  |
| Fuel Tank        | 52 L   | 13.7 gal |
| Hydraulic System | 70 L   | 18.5 gal |
| Engine Oil       | 11.2 L | 3.0 gal  |



# 906K Compact Wheel Loader



## Dimensions

(All dimensions are approximate. Dimensions shown are based on the machine equipped with general purpose bucket and standard 405/70 SPT9 tires.)

|   | With ISO Coupler |             | With SSL Coupler |            |
|---|------------------|-------------|------------------|------------|
| 1 Cab Height                              | 2465 mm          | 8 ft 1 in   | 2465 mm          | 8 ft 1 in  |
| 2 Ground Clearance                        | 300 mm           | 11.8 in     | 300 mm           | 11.8 in    |
| 3 Wheelbase                               | 2170 mm          | 7 ft 1 in   | 2170 mm          | 7 ft 1 in  |
| 4 Overall Length with Bucket              | 5649 mm          | 17 ft 11 in | 5585 mm          | 18 ft 4 in |
| 5 Reach at Maximum Dump Height            | 725 mm           | 2 ft 4 in   | 810 mm           | 2 ft 8 in  |
| 6 Dig Depth                               | 95 mm            | 3.7 in      | 90 mm            | 3.5 in     |
| 7 Maximum Dump Height                     | 2478 mm          | 8 ft 1 in   | 2395 mm          | 7 ft 10 in |
| 8 Load Over Height                        | 3027 mm          | 9 ft 11 in  | 3035 mm          | 9 ft 11 in |
| 9 Hinge Pin at Maximum Height             | 3227 mm          | 10 ft 7 in  | 3230 mm          | 10 ft 7 in |
| 10 Departure Angle (Degrees)              | 33°              |             | 33°              |            |
| 11 Overall Length with Forks              | 5915 mm          | 19 ft 4 in  | 5945 mm          | 19 ft 6 in |
| 12 Reach at Ground Level                  | 720 mm           | 2 ft 4 in   | 750 mm           | 2 ft 6 in  |
| 13 Maximum Reach                          | 1215 mm          | 3 ft 11 in  | 1265 mm          | 4 ft 2 in  |
| 14 Fork Depth Below Ground (Above Ground) | 25 mm            | 1.0 in      | (45 mm)          | (1.8 in)   |
| 15 Fork Height at Maximum Reach           | 1425 mm          | 4 ft 8 in   | 1490 mm          | 4 ft 11 in |
| 16 Maximum Fork Height                    | 3090 mm          | 10 ft 1 in  | 3160 mm          | 10 ft 4 in |
| 17 Fork Reach at Maximum Height           | 445 mm           | 1 ft 5 in   | 505 mm           | 1 ft 8 in  |
| 18 Turning Radius Over Bucket             | 4420 mm          | 14 ft 6 in  | 4445 mm          | 14 ft 7 in |
| 19 Turning Radius Inside Tire             | 2240 mm          | 7 ft 4 in   | 2240 mm          | 7 ft 4 in  |
| 20 Width Over Bucket                      | 1890 mm          | 6 ft 2 in   | 1880 mm          | 6 ft 2 in  |
| 21 Tire Gauge                             | 1420 mm          | 4 ft 8 in   | 1420 mm          | 4 ft 8 in  |
| 22 Machine Width                          | 1840 mm          | 6 ft        | 1840 mm          | 6 ft       |
| 23 Articulation Angle (Degrees)           | 39°              |             | 39°              |            |
| 24 Dump Angle at Maximum Height (Degrees) | 45°              |             | 45°              |            |

# 906K Compact Wheel Loader

## Operating Specifications

Machine with full fuel tank, ROPS/FOPS cab, 80 kg (176 lb) operator, either SSL or ISO coupler and general purpose bucket (GP).

| Coupler Type   | ISO                |                     | SSL                |                      |
|--|--------------------|---------------------|--------------------|----------------------|
|  | 405/70 R18         |                     | 405/70 R18         |                      |
| Tire Size  | 405/70 R18         |                     | 405/70 R18         |                      |
| Operating Weight   | 5545 kg            | 12,221 lb           | 5600 kg            | 12,346 lb            |
| Rated Bucket Capacity  | 0.9 m <sup>3</sup> | 1.2 yd <sup>3</sup> | 0.9 m <sup>3</sup> | 1.18 yd <sup>3</sup> |
| Breakout Force, Bucket   | 52 kN              | 11,689 lb           | 42 kN              | 9,442 lb             |
| Rated Operating Load at Full Turn, Bucket  | 1808 kg            | 3,986 lb            | 1703 kg            | 3,754 lb             |
| Straight Tipping Load, Bucket  | 4435 kg            | 9,778 lb            | 4180 kg            | 9,215 lb             |
| Full Turn Static Tipping Load, Bucket  | 3615 kg            | 9,970 lb            | 3405 kg            | 7,507 lb             |
| Rack Back, Transport Position  | 52°                |                     | 52°                |                      |
| Rated Operating Load at Full Turn, Forks (EN 474-3:2006, firm and level ground, 1.25 stability and 500 mm [20 in] load center) | 2200 kg            | 4,848 lb            | 2065 kg            | 4,553 lb             |

## Cab Features

| Standard Cab Features  | Comfort Cab | Deluxe Cab | Canopy |
|--|-------------|------------|--------|
| Cup Holder   | •           | •          | •      |
| Two Access Doors   | •           | •          |        |
| Fixed Steering Column  |             |            | •      |
| Adjustable Steering Column   | •           | •          |        |
| Vinyl Suspension Seat  |             |            | •      |
| Cloth Suspension Seat, Arm Rest  | •           |            |        |
| Cloth, Electric Air Suspension, Arm/Head Rest, Lumbar Support and Heated Back Seat |             | •          |        |
| Left Window – Sliding  | •           | •          |        |
| Right Window – Sliding   |             | •          |        |
| Heated Rear Window   | •           | •          |        |
| Coat Hook  | •           | •          | •      |
| Cabin Light  | •           | •          |        |
| Sun Visor  | •           | •          | •      |
| Radio-ready Kit (wiring, speaker, aerial and grilles)                              |             | •          |        |
| External Knock Back Mirrors  | •           | •          | •      |
| Lockable Storage Box   | •           | •          | •      |
| Adjustable Internal Mirror   | •           | •          | •      |
| Heater   | •           | •          |        |
| <b>Optional Cab Features</b>   |             |            |        |
| Air Conditioner  | •           | •          |        |
| Cat Radio/CD/MP3/WMA/AUX   | •           | •          |        |
| Rear Blind   | •           | •          |        |
| Machine Security System  | •           | •          |        |
| Radio-ready Kit (wiring, speaker, aerial and grilles)                              | •           |            |        |

## Maximum Material Densities

Based on ISO 7546:1983, and rated operating loads at full turn.

| Bucket Type              | General Purpose        |                          | Multi Purpose          |                          | Light Material         |                          |
|--------------------------|------------------------|--------------------------|------------------------|--------------------------|------------------------|--------------------------|
| Rated Capacity           | 0.9 m <sup>3</sup>     | 1.2 yd <sup>3</sup>      | 0.75 m <sup>3</sup>    | 1.0 yd <sup>3</sup>      | 1.2 m <sup>3</sup>     | 1.6 yd <sup>3</sup>      |
| Dump Height              | 2395 mm                | 94 in                    | 2470 mm                | 97 in                    | 2285 mm                | 90 in                    |
| Maximum Material Density | 1755 kg/m <sup>3</sup> | 2,958 lb/yd <sup>3</sup> | 2131 kg/m <sup>3</sup> | 3,592 lb/yd <sup>3</sup> | 1208 kg/m <sup>3</sup> | 2,036 lb/yd <sup>3</sup> |
| Bucket Width             | 1880 mm                | 74 in                    | 1880 mm                | 74 in                    | 2080 mm                | 82 in                    |

# 906K Compact Wheel Loader

## STANDARD EQUIPMENT

### TRANSMISSION/HYDRAULICS

- 100% differential lock on both axles, selectable on the move
- 18° frame oscillation, 78° articulation
- Transmission, 20 km/h (12.4 mph) with heavy duty axles
- Transmission inching function
- Hydrostatic drive
- Work tool quick coupler
- Proportional auxiliary hydraulic circuit
- Loader arm float function
- Connect under pressure hydraulic quick connector
- Parallel lift Z-bar loader
- Demand based cooling fan

### ENGINE

- Cat C3.3B DIT Tier 4 Interim/Stage IIIA or Tier 2/Stage II equivalent engine
- Two stage air cleaner with visual indicator
- Cat extended life coolant
- Lockable engine compartments
- Easy quick release fuel filter/water separator

- Engine oil drain valve (non spill eco drain)
- Closed circuit breather
- Eco mode

### ELECTRICAL

- Cab mounted fuse panel
- Battery disconnect switch
- Heavy duty battery, 12V
- Engine cold starter aid
- Alternator 90 amp
- Service point connector for electronic diagnostics (Electronic Technician™)
- Reverse alarm

### GENERAL

- E-coat paint primer
- Pressure test points
- Recovery hitch and pin
- Scheduled Oil Sampling S-O-S ports

### OPERATOR ENVIRONMENT

- Cup holder
- Sun visor
- ROPS and FOPS certified canopy/cab

- Adjustable wrist rest
- Retractable seat belt
- Auxiliary power sockets
- Coat hook
- On board digital display cluster
- Sound suppression
- Multifunction joystick with direction control
- Two external knock back mirrors
- Warning indicators for major systems
- Easy clean cab floor
- Lockable storage box
- Adjustable internal mirror
- Operator station on isolation mounts
- Digital service hour meter
- Gauges: fuel hydraulic temp, coolant temp, speedometer
- Warnings: master, park brake, hydraulic oil pressure, engine oil pressure, coolant temp, electrical system, hydraulic filter bypass
- Suspended brake/accelerator pedals
- Suspension seat

## OPTIONAL EQUIPMENT

### TRANSMISSION

- Adjustable speed control (Creeper Control)
- Rimpull control
- Electronic throttle lock
- Adjustable Hystat response settings
- Ride control
- Speeder, 35 km/h (21.7 mph) with secondary steering

### LOADER

- High flow auxiliary hydraulics with pressure relieving quick disconnect manifold
- Load check valves
- Return to dig work tool positioner
- Adjustable implement modulation

### ENGINE

- Engine block heater 120V
- Precleaner for engine air filter

### ELECTRICAL

- Machine Security System (MSS)
- Magnetic rotating beacon
- Work tool wiring harness
- Working lights, two front and two rear

### GENERAL

- Custom color
- Rear light guards
- Tire options including heavy duty tires

### FLUIDS

- Cat extended life coolant (-50° C/-58° F)

### OPERATOR ENVIRONMENT

- Air conditioning
- Cat radio/CD/MP3/WMA/AUX
- Comfort cab includes: cloth suspension seat, heated rear window, sliding left window, coat hook, sun visor, radio ready and lockable storage box

- Deluxe cab includes: Comfort cab options plus heated cloth air suspension seat with lumbar support and right sliding window
- Radio ready kit including speakers (enclosed cab)
- Two doors (enclosed cab)
- Heated rear window (enclosed cab)
- Cabin light (enclosed cab)
- Pressurized cab (enclosed cab)
- Heater with window, side and feet vents (enclosed cab)
- Wiper/washer front and rear (enclosed cab)
- Rear blind

### WORK TOOLS

- For all work tools and standard/high flow options (consult your Cat dealer)

For more complete information on Cat products, dealer services, and industry solutions, visit us on the web at [www.cat.com](http://www.cat.com)

AEHQ7452 (03-15)

© 2015 Caterpillar  
All Rights Reserved

Materials and specifications are subject to change without notice. Featured machines in photos may include additional equipment. See your Cat dealer for available options.

CAT, CATERPILLAR, SAFETY.CAT.COM, their respective logos, "Caterpillar Yellow" and the "Power Edge" trade dress, as well as corporate and product identity used herein, are trademarks of Caterpillar and may not be used without permission.

