



# Cat<sup>®</sup>

## Hammers

### H25D

#### FEATURES:

##### Perfect Fit

- The H25D is perfectly suited for demolition and recycling contractors working inside buildings and in areas with limited access.
- Because of its small size, the 300.9D and H25D can be easily transported to the job site.
- The H25D is intended for use on the 300.9D mini-excavator, rounding out the Cat hammer product line to cover machines sized from 0.8 ton (1,700 lb) through the 75 ton (165,000 lb) range.

##### Simple Design for Reliability & Serviceability

- The H25D features a streamlined shape that provides good access to narrow places.
- Just two moving parts keep maintenance to a minimum.

##### High Blow Rate

- The H25D has a high blow rate, which translates to high productivity.
- Blow energy is constant regardless of the oil flow adjustment (within specifications).

##### Bushing Replaces Easily, Quickly

- Replacement of the single lower tool bushing can be done in a matter of minutes for minimal down time and better productivity.

##### Mounting Hardware Included

- The hammer comes with a complete mounting group for installation on the 300.9D.



#### Hammers/Machines Compatibility

Contact your Cat Dealer for specific machine configurations.

Model	Machines
H25D	300.9D



Australia / New Zealand

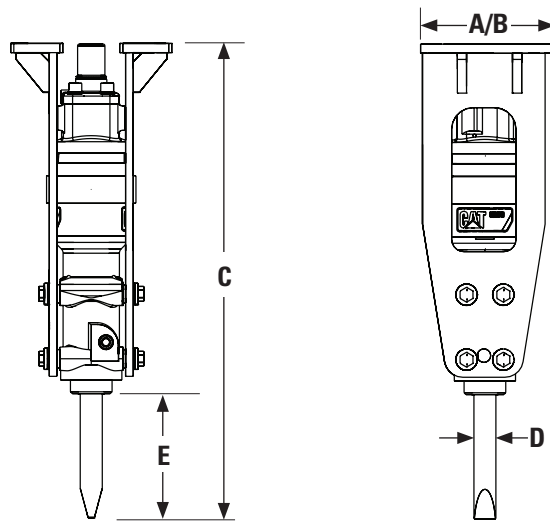


# Cat Hammers

## Specifications

		<b>H25D</b>	
Recommended carrier weight range	t (lb)	0.8–1.1	(1,760–2,430)
Operating weight range*	kg (lb)	70	(154)
Impact frequency	bpm	1,000–1,900	
Energy Class	J (ft-lb)	169	(125)
Acceptable oil flow	lpm (gpm)	15–25	(3.9–6.6)
Maximum operating pressure	kPa (psi)	16,500	2,393

\* Includes hammers, standard tool and average mounting bracket.



## Dimensions

		<b>H25D</b>	
<b>A.</b> Length	mm (in)	220	(8.66)
<b>B.</b> Width	mm (in)	220	(8.66)
<b>C.</b> Height	mm (in)	781	(30.75)
<b>D.</b> Tool Diameter	mm (in)	36	(1.42)
<b>E.</b> Tool Working Length	mm (in)	207	(8.15)



Follow us on Twitter: [@CatAttachments](https://twitter.com/CatAttachments)



YouTube : [www.youtube.com/user/Caterpillarworktools](https://www.youtube.com/user/Caterpillarworktools)

For more complete information on Cat products, dealer services, and industry solutions, visit us on the web at [www.cat.com](http://www.cat.com)

MEHH1016 (02-15)

©2015 Caterpillar  
All Rights Reserved

Materials and specifications are subject to change without notice. Featured machines in photos may include additional equipment. See your Cat dealer for available options.

CAT, CATERPILLAR, their respective logos, "Caterpillar Yellow," and the POWER EDGE trade dress, as well as corporate and product identity used herein, are trademarks of Caterpillar and may not be used without permission.

